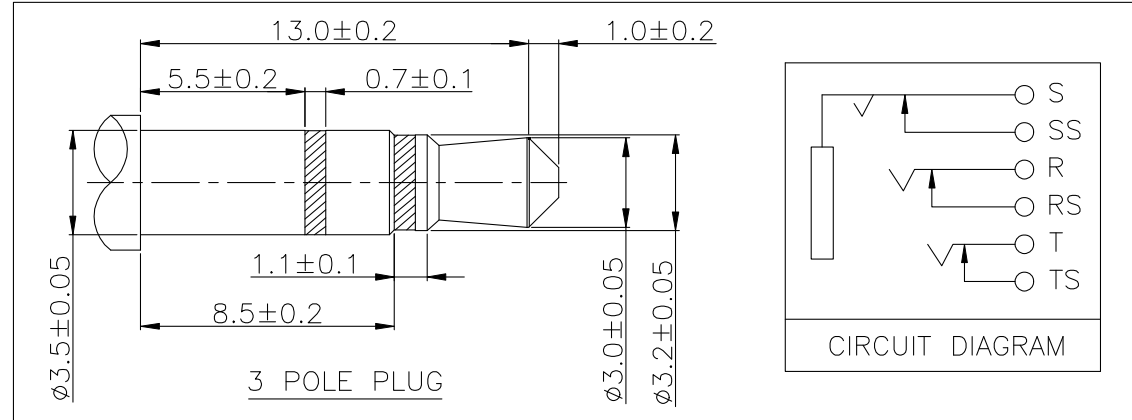
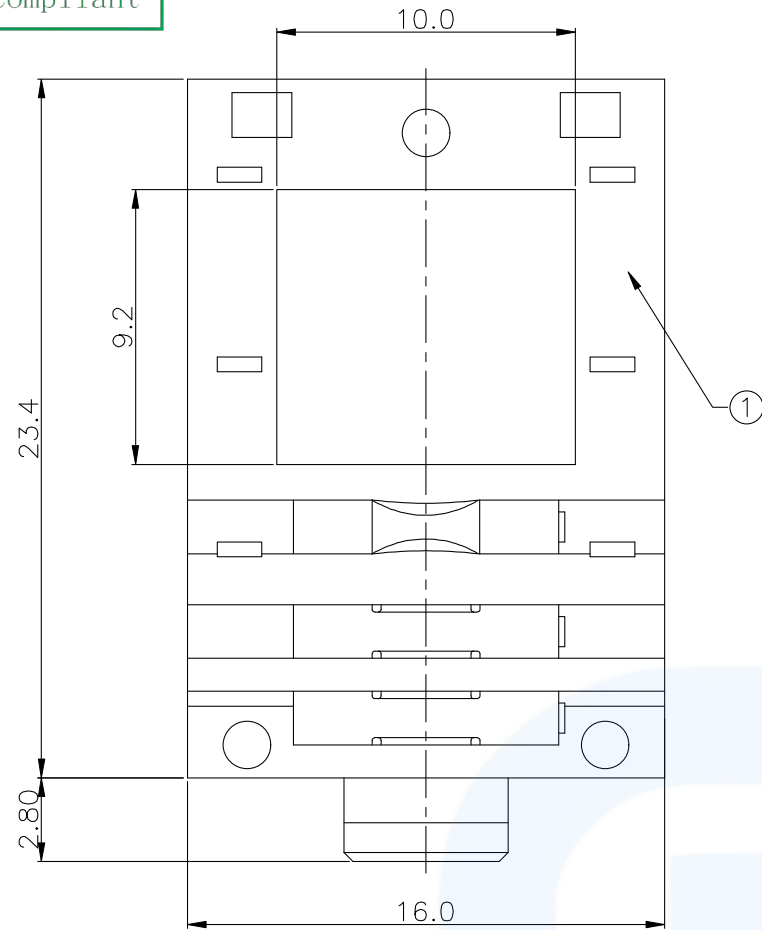
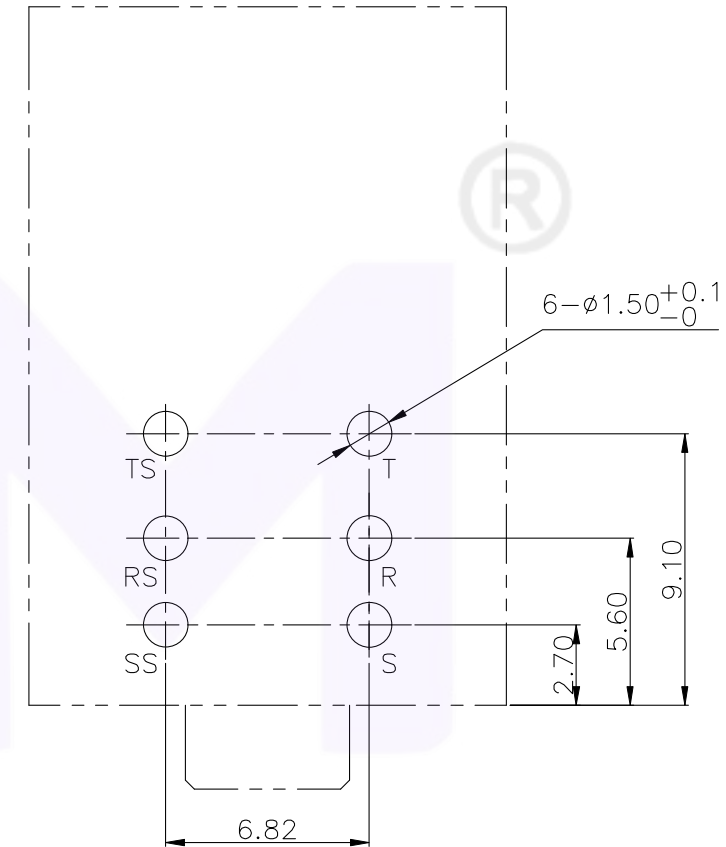
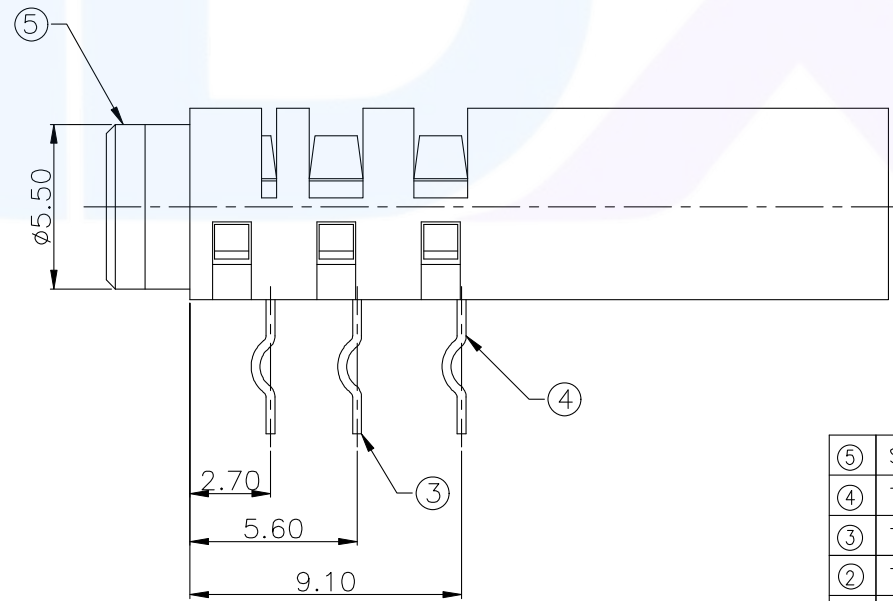
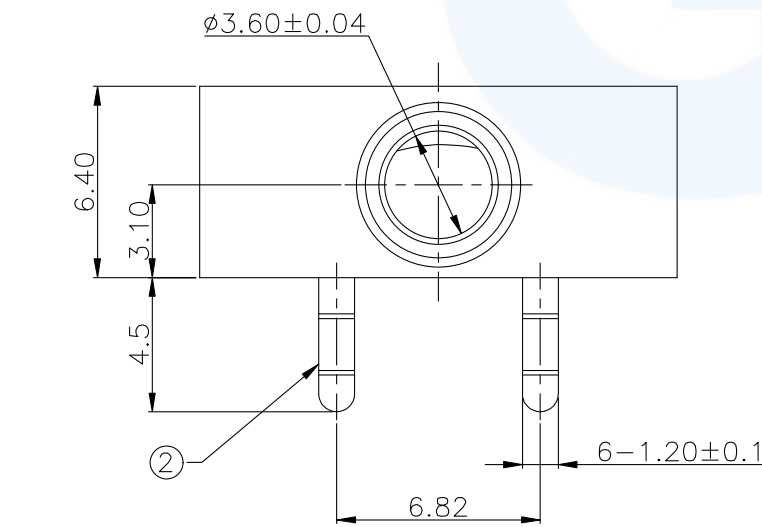


RoHS  
Compliant



TESTES:  
ELECTRICAL:  
1: RATED CURRENT: 0.3A Max.  
2: RATED VOLTAGE: 30V DC(RMS).  
3: CONTACT RESISTANCE: 30 MILLIOHMS Max.  
4: INSULATION RESISTANCE: 100 MEGA HMS Min.  
5: DIELECTRIC WITHSTANDING VOLTAGE: 500 VAC Min.  
MECHANICAL:  
1: INSERTION FORCE: 3N~30N .  
2: WITHDRAWAL FORCE: 3N~30N .  
ENVIRONMENTAL:  
TEMPERATURE RANGE: -25°C T 70°C.



RECOMMENDED PCB LAYOUT  
(TOP VIEW TOLERANCE: ±0.05)

⑤	SLEEVE	BRASS	Ni-PLATED		1
④	TERMINAL-3	65Mn, T=0.30mm	Ag-PLATED		1
③	TERMINAL-2	65Mn, T=0.30mm	Ag-PLATED	RoHS COMPLIANT	2
②	TERMINAL-1	BRASS, T=0.30mm	Ag-PLATED		3
①	HOUSING	NYLON UL94-HB	BLACK		1
NO.	PART NAME	MATERIAL	FINISH/COLOR	REMARK	Q'TY

广东小迈实业有限公司

Website:

<https://www.xmconn.com>

TEL:

18938295888



PART NAME

Ø3.50mm PHONE JACK

PART NO.

DM35A030-06DP

TOLERANCE UNLESS OTHERWISE SPECIFIED:  
X ±0.2  
X.X ±0.15  
X.XX ±0.10  
X.XXX ±0.050

DRAWING:

Li

DATE:

2023.08.18

SCALE

SHEET

REV: A0

CHECK:

Chen

DATE:

2023.08.18

1:1

1/1

SIZE: A4

APPROVAL:

Wen

DATE:

2023.08.18

