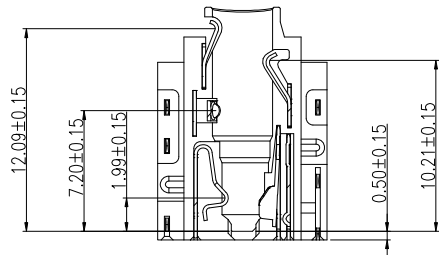
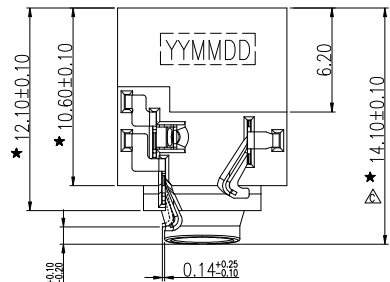
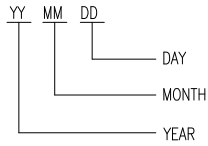


RoHS  
Compliant

DATE CODE:



NOTES:

- MATERIAL: SEE "TABLE 1";
- FINISH: SEE "TABLE 1";
- ELECTRICAL:
  - VOLTAGE RATING: 12V
  - CURRENT RATING: 1A
  - CONTACT RESISTANCE: 50mΩ Max.(Initial), 100mΩ Max.(After Life test);
  - INSULATION RESISTANCE: 1000 MΩ Min., 500VDC.(Initial), 100 MΩ Min., 500VDC.(After Humidity test);
  - WITHSTAND VOLTAGE: 500 VAC RMS 50(60)Hz, 1 minute;
- MECHANICAL:
  - MATING FORCE: 3.0Kgf MAX.;
  - UNMATING FORCE: 0.5Kgf MIN.;
  - OPERATING LIFE: 5000 CYCLES MIN.;
- ENVIRONMENTAL:
  - OPERATION: -30°C~+80°C.
- Dimension marked  $\Delta$  should 100% CCD inspecte  
Dimension marked  $\triangle$  should CPK>1.33  
Dimension marked  $\star$  should SIP inspecte by QC and IQC

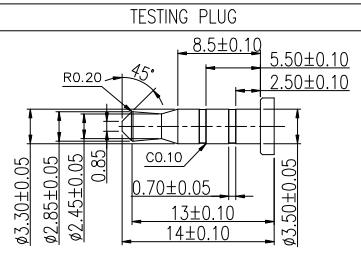
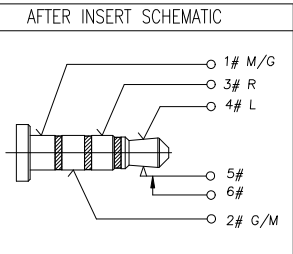
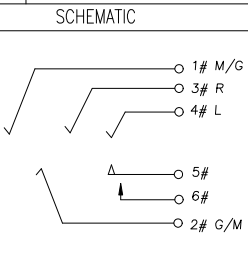
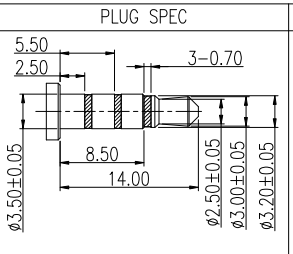
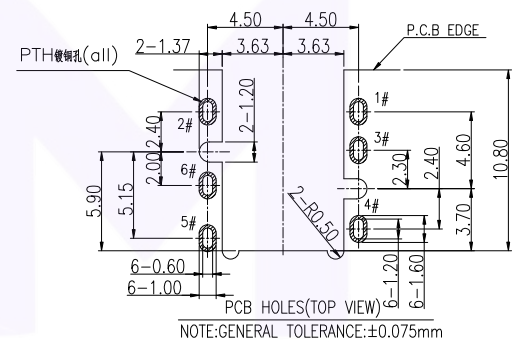
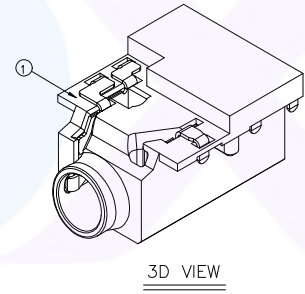
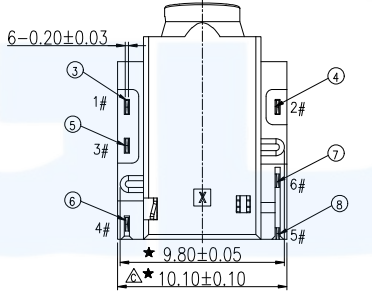
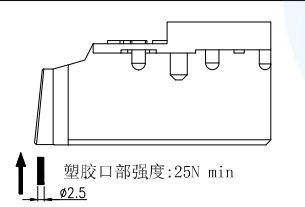
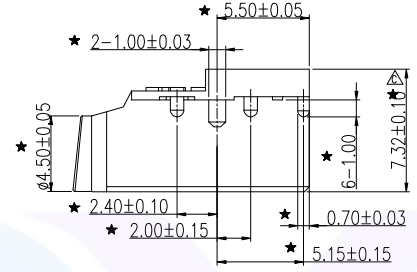
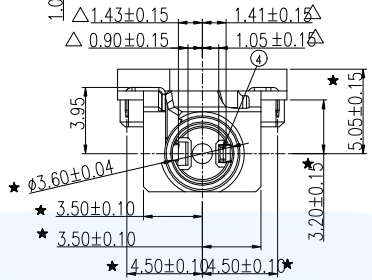
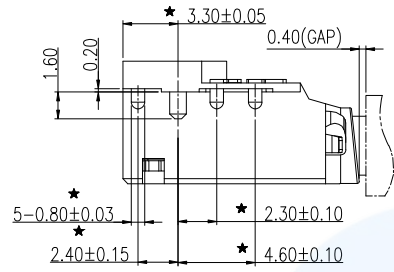


TABLE 1:

⑧	Contact_5	5	1	Copper Alloy	CONTACT AREA: 1U"MIN SOLDER AREA: 1U"MIN 50u" OVER ALL	T=0.20mm
⑦	Contact_6	6	1	Copper Alloy		T=0.20mm
⑥	Contact_4	4	1	Copper Alloy		T=0.20mm
⑤	Contact_3	3	1	Copper Alloy		T=0.20mm
④	Contact_2	2	1	Copper Alloy		T=0.20mm
③	Contact_1	1	1	Copper Alloy		T=0.20mm
②	Separator		1	HIGH TEMP	BLACK,UL94V-0	
①	Housing		1	HIGH TEMP	BLACK,UL94V-0	
NO.	PART NAME	QTY		MATERIAL	DESCRIPTION	REMARK

广东小迈实业有限公司

Website: <https://www.xmconn.com> TEL: 18938295888

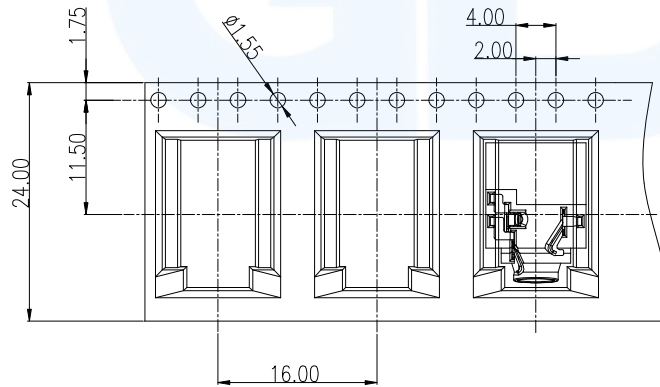
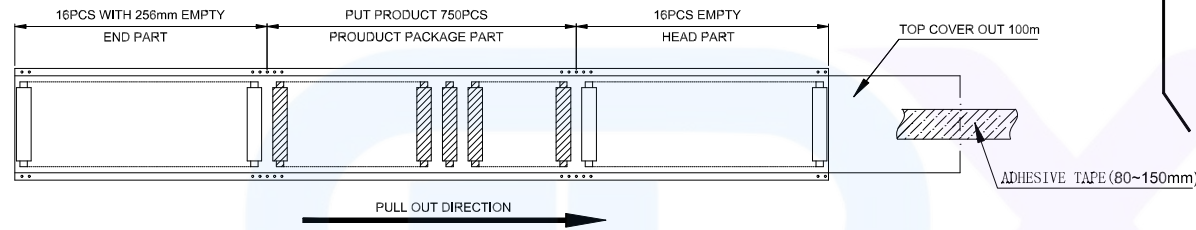
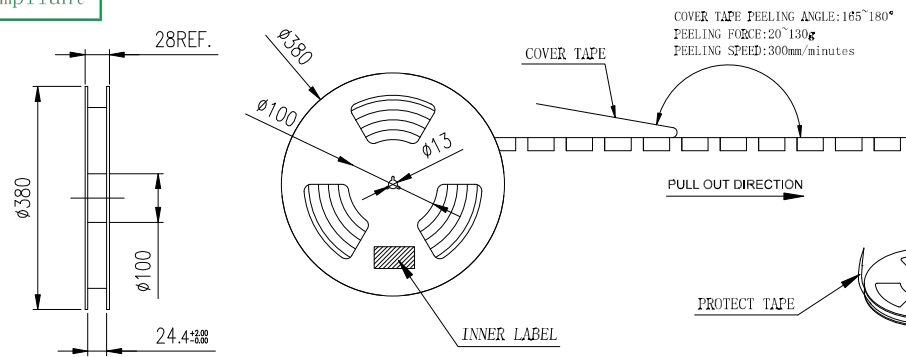


PART NAME	ø3.5mm Phone Jack CONN.
PART NO.	DM35A027-06FP

TOLERANCE UNLESS OTHERWISE SPECIFIED:
X ±0.2
X.X ±0.15
X.XX ±0.10
X.XXX ±0.050

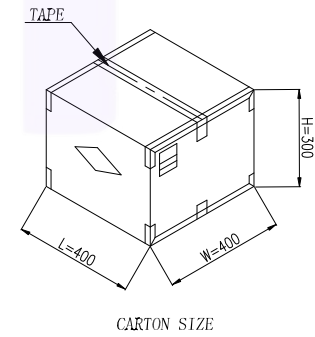
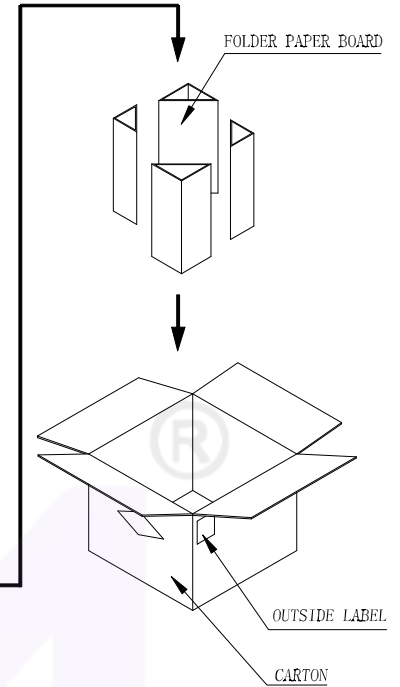
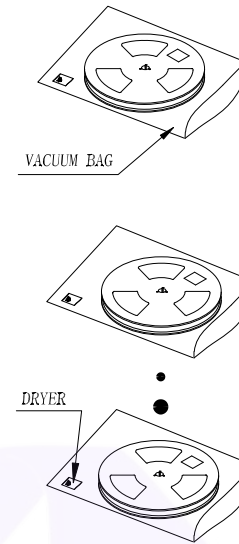
DRAWING:	Li	DATE:	2023.09.18	SCALE	SHEET	REV: A0
CHECK:	Chen	DATE:	2023.09.18	1:1	1/2	SIZE: A4
APPROVAL:	Yuan	DATE:	2023.09.18			

RoHS  
Compliant



NOTES:

1. Material requirements:
  - 1.1 The carton material requirements for the K=A, Dimension is 400\*400\*300mm;
  - 1.2 Reel materials for PET; size reel for 380\*28.4.
2. Packaging requirements:
  - 2.1 The tape into the packing machine, before the empty 16PCS, after the release of the product 750PCS, then the empty 16PCS with 256mm length of stay;
  - 2.2 Top cover should out 100mm of the carrier tape. After winding, using adhesive tape (80~150mm) to stick the leader of cover tap on the side of the carrier tape;
  - 2.3 Winding a protect tape around the reel, then stick it by adhesive tape;
  - 2.4 label should paste in the designated area of the reel;
  - 2.5 Put a dryer and a packed reel in the vacuum bag and make the vacuum process;
  - 2.6 The tired folded 10 disks in the carton total 7500pcs;
  - 2.7 Packed finished packing sealing, and in the outer carton label



1 CARTON = 10 REEL = 7500 PRODUCT

广东小迈实业有限公司

Website:

<https://www.xmconn.com>

TEL:

18938295888



PART NAME

φ3.5mm Phone Jack CONN.

PART NO.

DM35A027-06FP

TOLERANCE UNLESS OTHERWISE SPECIFIED:

- X ±0.2
- X.X ±0.15
- X.XX ±0.10
- X.XXX ±0.050

DRAWING:

Li

DATE:

2023.09.18

CHECK:

Chen

DATE:

2023.09.18

APPROVAL:

Yuan

DATE:

2023.09.18

SCALE

1:1

SHEET

2/2

REV: A0

SIZE: A4

