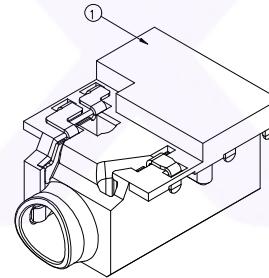
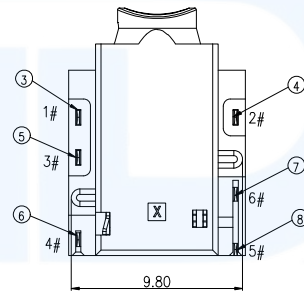
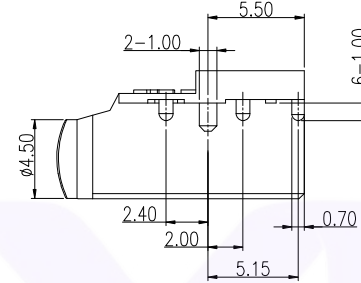
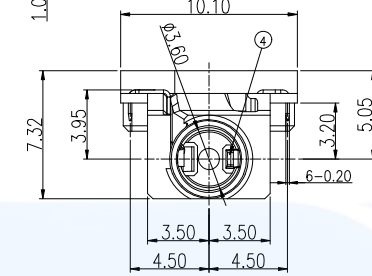
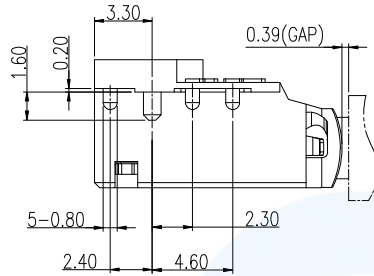
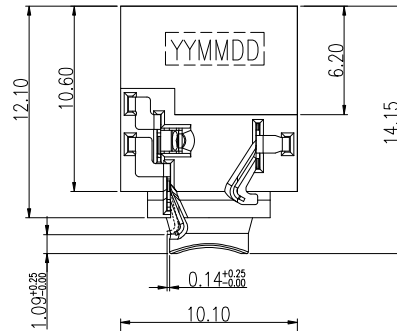
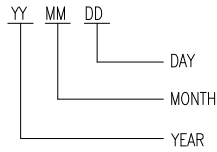


RoHS  
Compliant

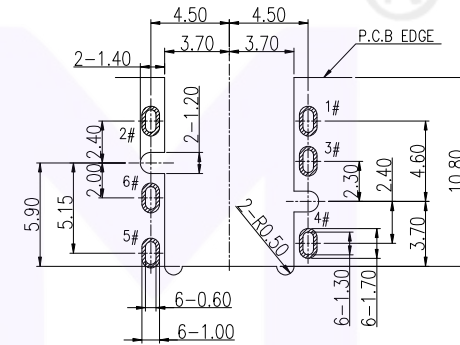
DATE CODE:



3D VIEW

NOTES:

1. MATERIAL: SEE "TABLE 1";
2. FINISH: SEE "TABLE 1";
3. ELECTRICAL:
  - 3.1. VOLTAGE RATING: 12V
  - 3.2. CURRENT RATING: 1A
  - 3.3. CONTACT RESISTANCE: 50mΩ Max.(Initial), 100mΩ Max.(After Life test);
  - 3.4. INSULATION RESISTANCE: 1000 MΩ Min., 500VDC.(Initial), 100 MΩ Min., 500VDC.(After Humidity test);
  - 3.5. WITHSTAND VOLTAGE: 500 VAC RMS 50(60)Hz, 1 minute;
4. MECHANICAL:
  - 4.1. MATING FORCE: 3.0Kgf MAX.;
  - 4.2. UNMATING FORCE: 0.5Kgf MIN.;
  - 4.3. OPERATING LIFE: 5000 CYCLES MIN.;
5. ENVIRONMENTAL:
  - 5.1. OPERATION: -30°C~+80°C.



PCB HOLES(TOP VIEW)

NOTE:GENERAL TOLERANCE:±0.05mm

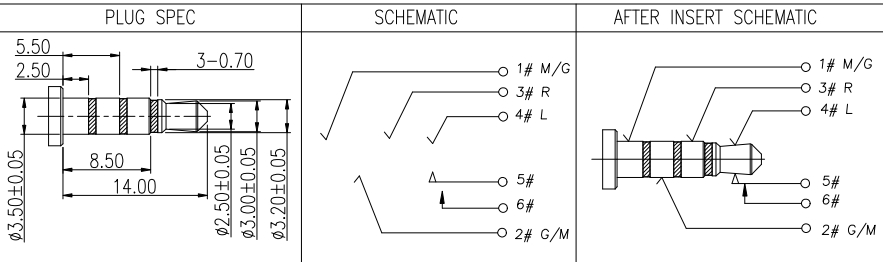


TABLE 1:

NO.	PART NAME	QTY	MATERIAL	DESCRIPTION	REMARK
⑧	Contact_5	5	Copper Alloy	CONTACT AREA: 1U"MIN SOLDER AREA:1U"MIN 50u" OVER ALL	T=0.20mm
⑦	Contact_6	6	Copper Alloy		T=0.20mm
⑥	Contact_4	4	Copper Alloy		T=0.20mm
⑤	Contact_3	3	Copper Alloy		T=0.20mm
④	Contact_2	2	Copper Alloy		T=0.20mm
③	Contact_1	1	Copper Alloy		T=0.20mm
②	Separator	1	HIGH TEMP	BLACK,UL94V-0	
①	Housing	1	HIGH TEMP	BLACK,UL94V-0	

广东小迈实业有限公司

Website:

<https://www.xmconn.com>

TEL:

18938295888



PART NAME

ø3.5mm Phone Jack CONN.

PART NO.

DM35A026-06FP

TOLERANCE UNLESS OTHERWISE SPECIFIED:

- X ±0.2
- X.X ±0.15
- X.XX ±0.10
- X.XXX ±0.050

DRAWING:

Li

DATE:

2023.09.18

SCALE

SHEET

REV: A0

CHECK:

Chen

DATE:

2023.09.18

1:1

1/2

SIZE: A4

APPROVAL:

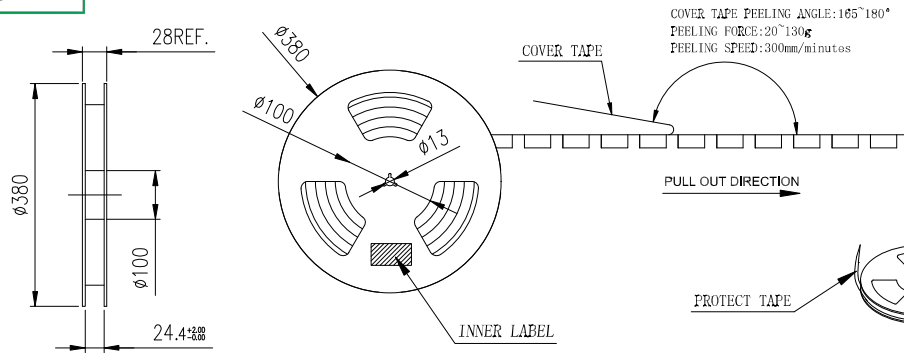
Yuan

DATE:

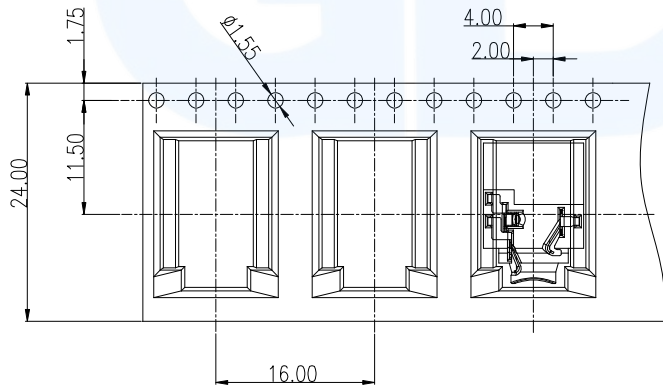
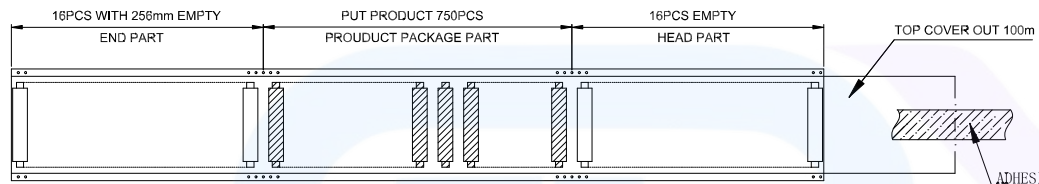
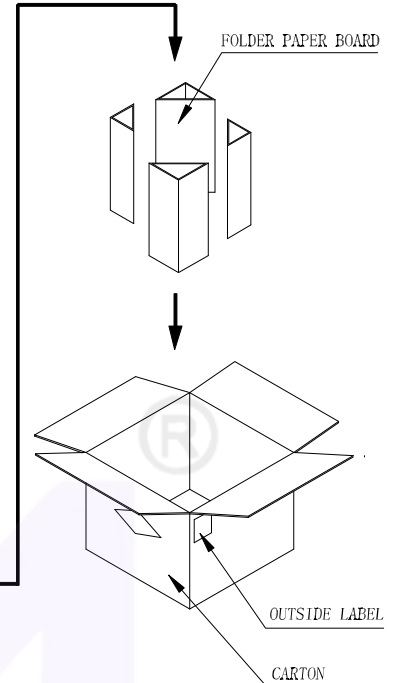
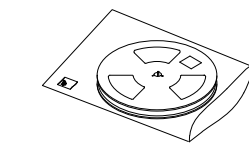
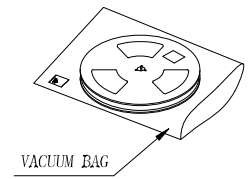
2023.09.18



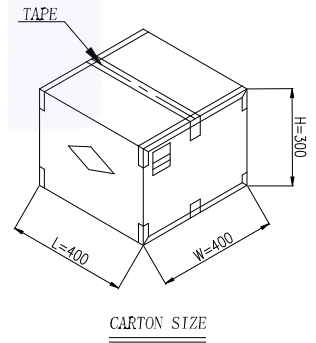
RoHS  
Compliant



COVER TAPE PEELING ANGLE:165°~180°  
PEELING FORCE:20~130g  
PEELING SPEED:300mm/minutos



- NOTES:
- Material requirements:
    - The carton material requirements for the K=A, Dimension is 400\*400\*300mm;
    - Reel materials for PET; size reel for 380\*28.4.
  - Packaging requirements:
    - The tape into the packing machine, before the empty 16PCS, after the release of the product 750PCS, then the empty 16PCS with 256mm length of stay;
    - Top cover should out 100mm of the carrier tape. After winding, using adhesive tape (80~150mm) to stick the leader of cover tap on the side of the carrier tape;
    - Winding a protect tape around the reel, then stick it by adhesive tape;
    - Label should paste in the designated area of the reel;
    - Put a dryer and a packed reel in the vacuum bag and make the vacuum process;
    - The tired folded 10 disks in the carton total 750pcs;
    - Packed finished packing sealing, and in the outer carton label



1 CARTON = 10 REEL = 7500 PRODUCT

广东小迈实业有限公司

Website: <https://www.xmconn.com> TEL: 18938295888



PART NAME	∅3.5mm Phone Jack CONN.
PART NO.	DM35A026-06FP

TOLERANCE UNLESS OTHERWISE SPECIFIED:	
X	±0.2
X.X	±0.15
X.XX	±0.10
X.XXX	±0.050

DRAWING:	Li	DATE:	2023.09.18	SCALE	SHEET	REV: A0
CHECK:	Chen	DATE:	2023.09.18	1:1	2/2	SIZE: A4
APPROVAL:	Yuan	DATE:	2023.09.18	☞		