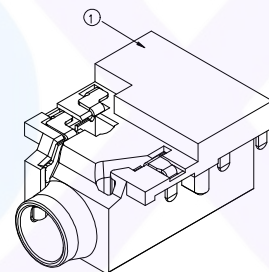
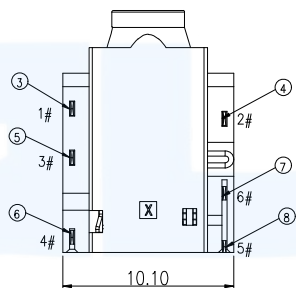
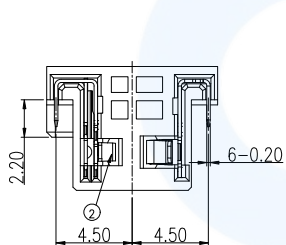
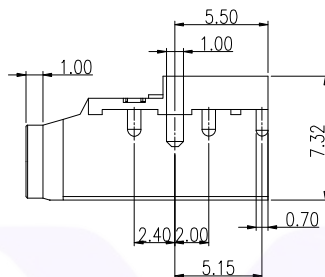
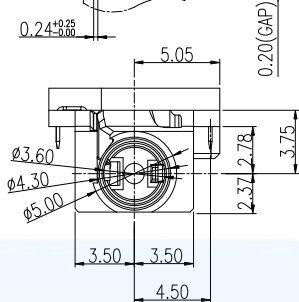
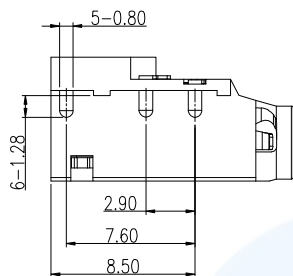
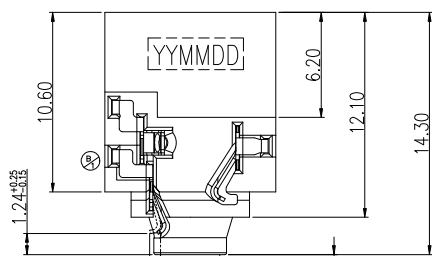


RoHS
Compliant

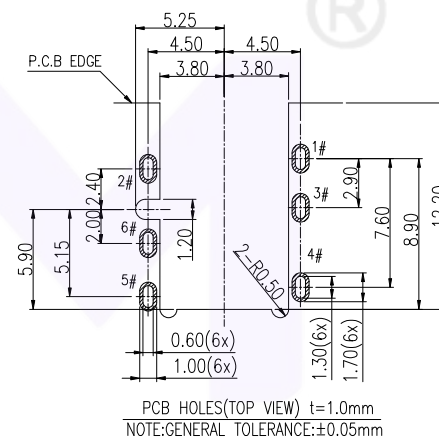
DATE CODE:
YY MM DD
DAY
MONTH
YEAR



3D VIEW

NOTES:

- MATERIAL: SEE "TABLE 1";
- FINISH: SEE "TABLE 1";
- ELECTRICAL:
 - VOLTAGE RATING: 12 VAC RMS;
 - CURRENT RATING: 0.5 AMP;
 - CONTACT RESISTANCE: 50mΩ Max.(Initial), 100mΩ Max.(After Life test);
 - INSULATION RESISTANCE: 1000 MΩ Min., 500VDC.(Initial), 100 MΩ Min., 500VDC.(After Humidity test);
 - WITHSTAND VOLTAGE: 500 VAC RMS 50(60)Hz, 1 minute;
- MECHANICAL:
 - MATING FORCE: 2.0Kgf MAX.;
 - UNMATING FORCE: 0.5Kgf MIN.;
 - OPERATING LIFE: 5000 CYCLES MIN.;
- ENVIRONMENTAL:
 - OPERATION: -30°C~+80°C.



PCB HOLES(TOP VIEW) t=1.0mm
NOTE:GENERAL TOLERANCE:±0.05mm

PLUG SPEC	SCHEMATIC	AFTER INSERT SCHEMATIC

TABLE 1:

NO.	PART NAME	QTY	MATERIAL	DESCRIPTION	REMARK
⑧	Contact_5	5	1	Copper Alloy	T=0.20mm
⑦	Contact_6	6	1	Copper Alloy	T=0.20mm
⑥	Contact_4	4	1	Copper Alloy	T=0.20mm
⑤	Contact_3	3	1	Copper Alloy	T=0.20mm
④	Contact_2	2	1	Copper Alloy	T=0.20mm
③	Contact_1	1	1	Copper Alloy	T=0.20mm
②	Separator	1	HIGH TEMP	BLACK,UL94V-0	
①	Housing	1	HIGH TEMP	BLACK,UL94V-0	

CONTACT AREA: 1U*MIN
SOLDER AREA:1U*MIN
50u" OVER ALL

广东小迈实业有限公司

Website: <https://www.xmconn.com>

TEL: 18938295888



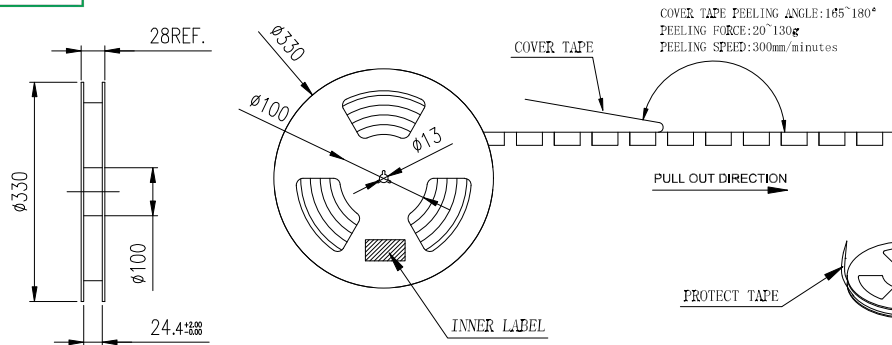
PART NAME: ø3.5mm Phone Jack CONN.

PART NO.: DM35A025-06FP

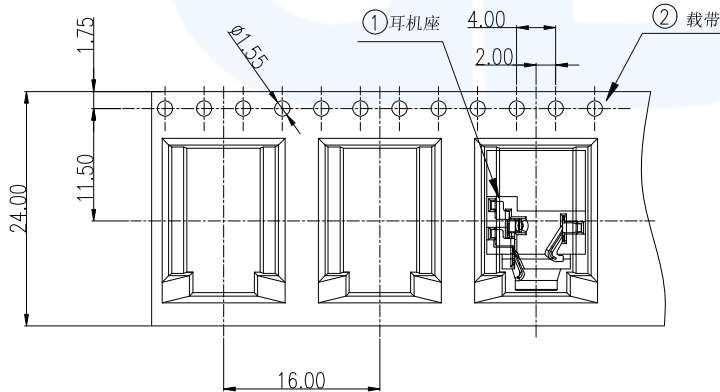
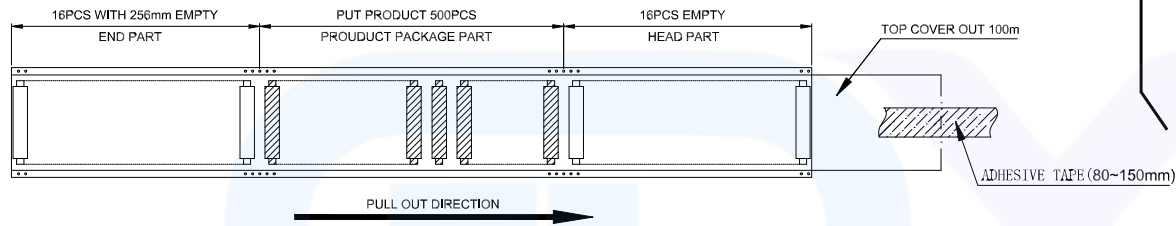
TOLERANCE UNLESS OTHERWISE SPECIFIED:
X ±0.2
X.X ±0.15
X.XX ±0.10
X.XXX ±0.050

DRAWING:	Li	DATE:	2023.09.18	SCALE:	SHEET	REV:	A0
CHECK:	Chen	DATE:	2023.09.18	1:1	1/2	SIZE:	A4
APPROVAL:	Yuan	DATE:	2023.09.18				

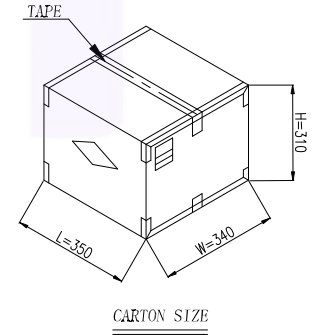
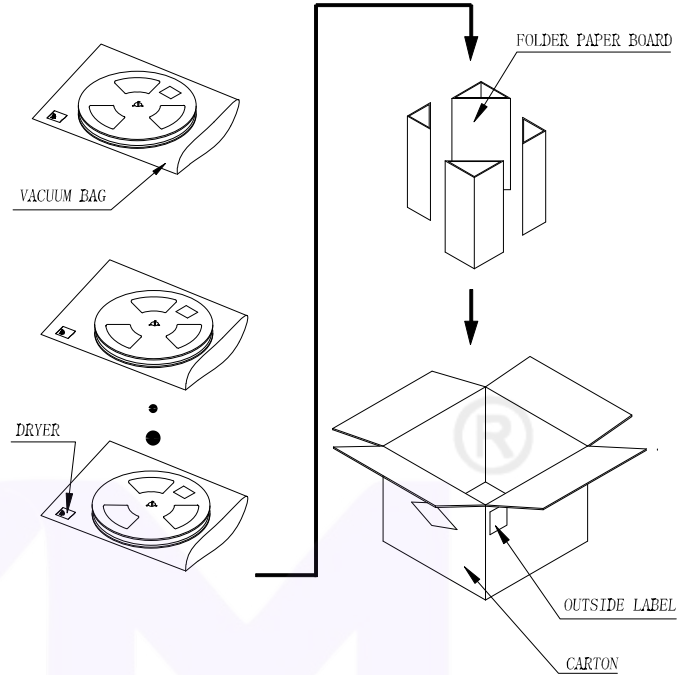
RoHS
Compliant



COVER TAPE PEELING ANGLE:105°~180°
PEELING FORCE:20~130g
PEELING SPEED:300mm/minutes



- NOTES:
- Material requirements:
 - The carton material requirements for the K=A, Dimension is 350*340*310mm;
 - Reel materials for PET; size reel for 330*28.4.
 - Packaging requirements:
 - The tape into the packing machine, before the empty 16PCS, after the release of the product 500PCS, then the empty 16PCS with 256mm length of stay;
 - Top cover should out 100mm of the carrier tape. After winding, using adhesive tape(80-150mm) to stick the leader of cover tap on the side of the carrier tape;
 - Winding a protect tape around the reel, then stick it by adhesive tape;
 - Label should paste in the designated area of the reel;
 - Put a dryer and a packed reel in the vacuum bag and make the vacuum process;
 - The tired folded 10 disks in the carton total 5000pcs;
 - Packed finished packing sealing, and in the outer carton label



1 CARTON = 10 REEL = 5000 PRODUCT

广东小迈实业有限公司

Website: <https://www.xmconn.com> TEL: 18938295888



PART NAME	ø3.5mm Phone Jack CONN.
PART NO.	DM35A025-06FP

TOLERANCE UNLESS OTHERWISE SPECIFIED:	
X	±0.2
X.X	±0.15
X.XX	±0.10
X.XXX	±0.050

DRAWING:	Li	DATE:	2023.09.18	SCALE	SHEET	REV: A0
CHECK:	Chen	DATE:	2023.09.18	1:1	2/2	SIZE: A4
APPROVAL:	Yuan	DATE:	2023.09.18			