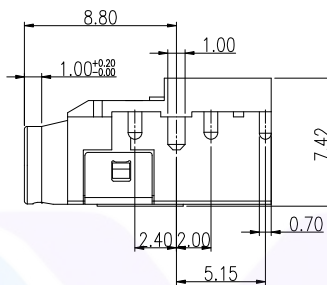
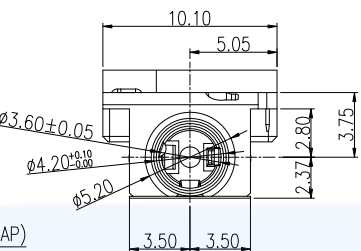
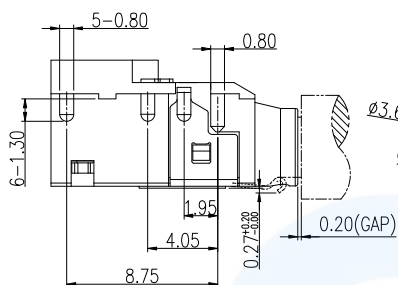
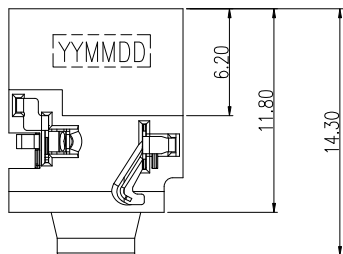
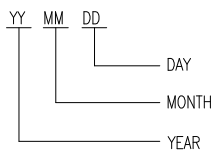
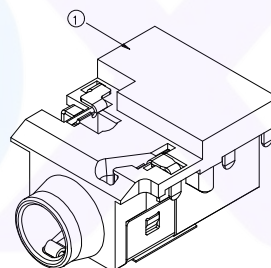
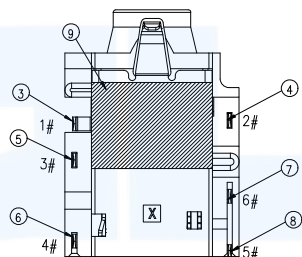


RoHS
Compliant

DATE CODE:



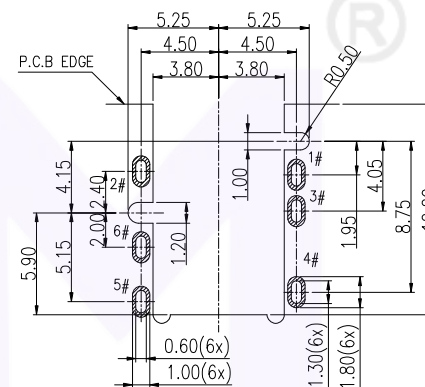
Back view



3D VIEW

NOTES:

1. MATERIAL: SEE "TABLE 1";
2. FINISH: SEE "TABLE 1";
3. ELECTRICAL:
 - 3.1. VOLTAGE RATING: 12 VAC RMS;
 - 3.2. CURRENT RATING: 0.5 AMP;
 - 3.3. CONTACT RESISTANCE: 50mΩ Max.(Initial), 100mΩ Max.(After Life test);
 - 3.4. INSULATION RESISTANCE: 1000 MΩ Min., 500VDC.(Initial), 100 MΩ Min., 500VDC.(After Humidity test);
 - 3.5. WITHSTAND VOLTAGE: 500 VAC RMS 50(60)Hz, 1 minute;
4. MECHANICAL:
 - 4.1. MATING FORCE: 20N MAX.;
 - 4.2. UNMATING FORCE: 5N MIN.;
 - 4.3. OPERATING LIFE: 5000 CYCLES MIN.;
5. ENVIRONMENTAL:
 - 5.1. OPERATION: -30°C~+80°C.



PCB HOLES(TOP VIEW) t=1.0mm
NOTE:GENERAL TOLERANCE:±0.05mm

TABLE 1:

NO.	PART NAME	QTY	MATERIAL	DESCRIPTION	REMARK
⑨	MYLAR	1			
⑧	Contact_5	5	Copper Alloy	CONTACT AREA: 1U ² MIN SOLDER AREA:1U ² MIN 50u" OVER ALL	T=0.20mm
⑦	Contact_6	6	Copper Alloy		T=0.20mm
⑥	Contact_4	4	Copper Alloy		T=0.20mm
⑤	Contact_3	3	Copper Alloy		T=0.20mm
④	Contact_2	2	Copper Alloy		T=0.20mm
③	Contact_1	1	Copper Alloy		T=0.20mm
②	Separator	1	HIGH TEMP	BLACK,UL94V-0	
①	Housing	1	HIGH TEMP	BLACK,UL94V-0	

PLUG SPEC	SCHEMATIC	AFTER INSERT SCHEMATIC

广东小迈实业有限公司

Website:

<https://www.xmconn.com>

TEL:

18938295888



PART NAME

ø3.5mm Phone Jack CONN.

PART NO.

DM35A024-06FP

TOLERANCE UNLESS OTHERWISE SPECIFIED:
X ±0.2
X.X ±0.15
X.XX ±0.10
X.XXX ±0.050

DRAWING:

Li

DATE:

2023.09.18

SCALE

SHEET

REV: A0

CHECK:

Chen

DATE:

2023.09.18

1:1

1/2

SIZE: A4

APPROVAL:

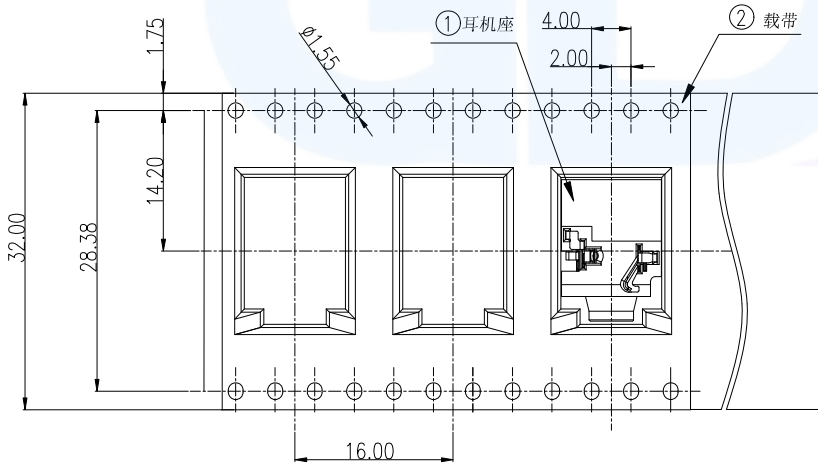
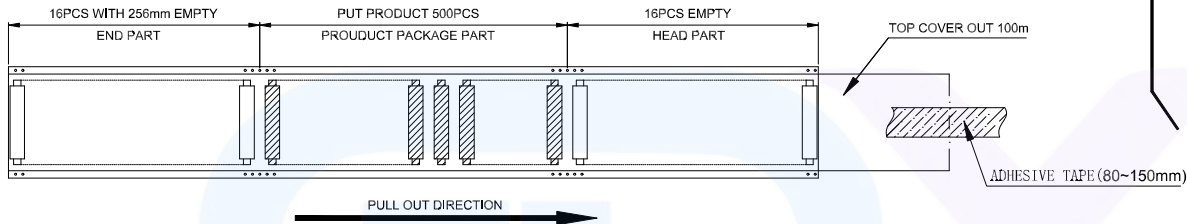
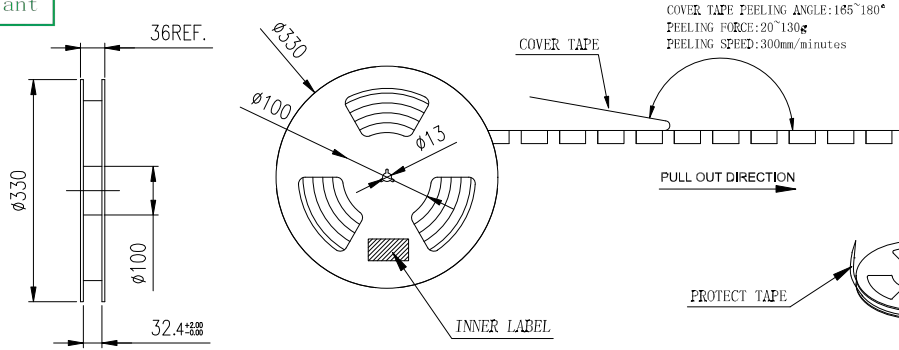
Yuan

DATE:

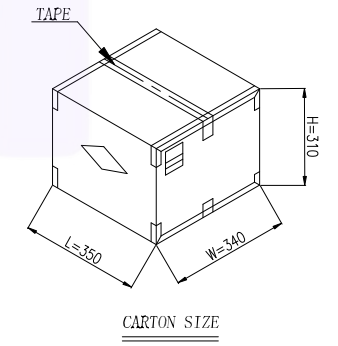
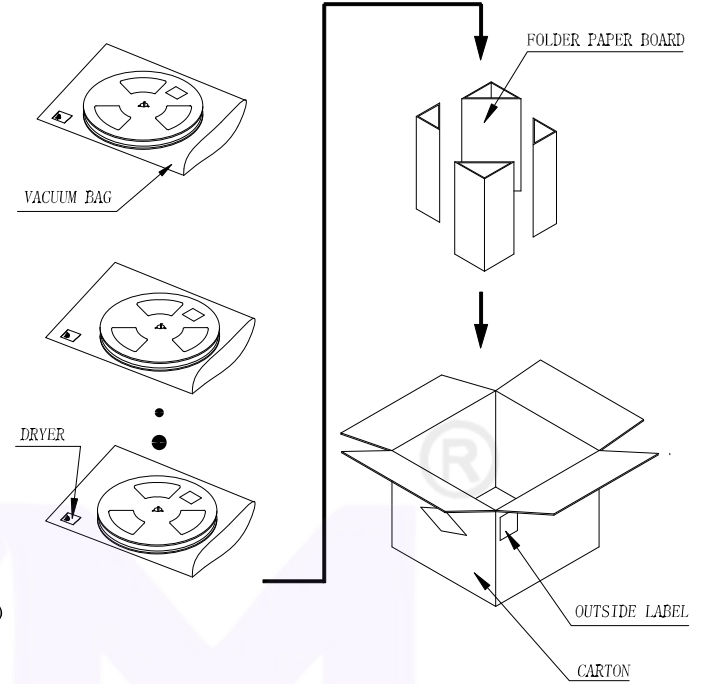
2023.09.18



RoHS
Compliant



- NOTES:
- Material requirements:
 - The carton material requirements for the K=A, Dimension is 350*340*310mm;
 - Reel materials for PET; size reel for 330*28.4.
 - Packaging requirements:
 - The tape into the packing machine, before the empty 16PCS, after the release of the product 500PCS, then the empty 16PCS with 256mm length of stay;
 - Top cover should out 100mm of the carrier tape. After winding, using adhesive tape (80~150mm) to stick the leader of cover tap on the side of the carrier tape;
 - Winding a protect tape around the reel, then stick it by adhesive tape;
 - Label should paste in the designated area of the reel;
 - Put a dryer and a packed reel in the vacuum bag and make the vacuum process;
 - The tired folded 8 disks in the carton total 4000pcs;
 - Packed finished packing sealing, and in the outer carton label



1 CARTON = 8 REEL = 4000 PRODUCT

广东小迈实业有限公司

Website:

<https://www.xmconn.com>

TEL:

18938295888



PART NAME ϕ 3.5mm Phone Jack CONN.

PART NO. DM35A024-06FP

TOLERANCE UNLESS OTHERWISE SPECIFIED:

X \pm 0.2
X.X \pm 0.15
X.XX \pm 0.10
X.XXX \pm 0.050

DRAWING:

Li

DATE:

2023.09.18

SCALE

SHEET

REV: A0

CHECK:

Chen

DATE:

2023.09.18

1:1

2/2

SIZE: A4

APPROVAL:

Yuan

DATE:

2023.09.18



F

E

D

C

B

A