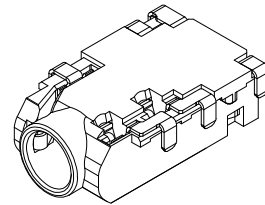
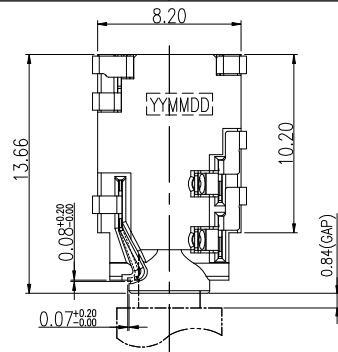
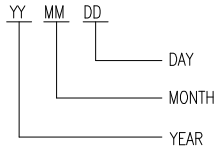


RoHS
Compliant

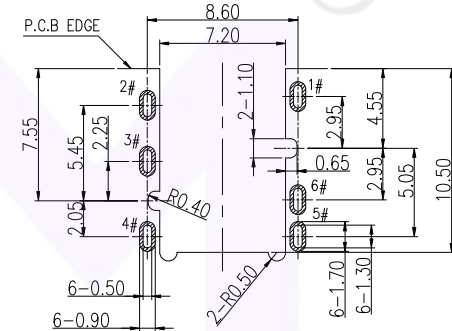
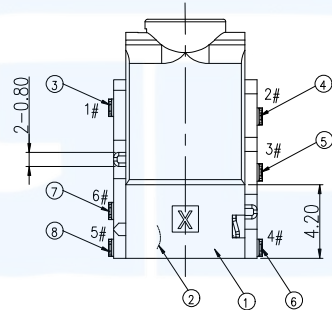
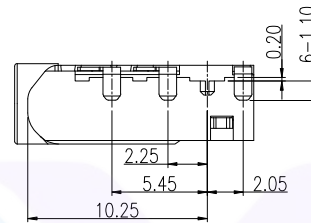
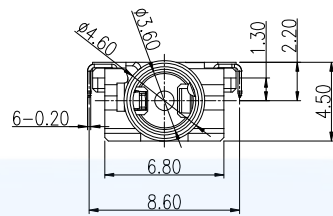
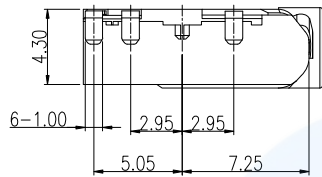
DATE CODE:



3D VIEW

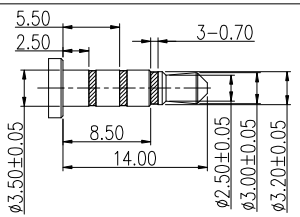
NOTES:

- MATERIAL: SEE "TABLE 1";
- FINISH: SEE "TABLE 1";
- ELECTRICAL:
 - VOLTAGE RATING: 12 VAC RMS;
 - CURRENT RATING: 0.5 AMP;
 - CONTACT RESISTANCE: 50mΩ Max.(Initial), 100mΩ Max.(After Life test);
 - INSULATION RESISTANCE: 1000 MΩ Min., 500VDC.(Initial), 100 MΩ Min., 500VDC.(After Humidity test);
 - WITHSTAND VOLTAGE: 500 VAC RMS 50(60)Hz, 1 minute;
- MECHANICAL:
 - MATING FORCE: 3.0kgf MAX.
 - UNMATING FORCE: 0.5~1.8kgf.
 - OPERATING LIFE: 5000 CYCLES MIN.;
- ENVIRONMENTAL:
 - OPERATION: -30°C~+80°C.

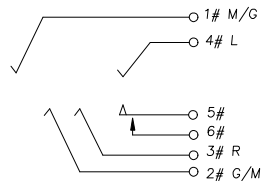


PCB HOLES(TOP VIEW) t=1.0mm
NOTE:GENERAL TOLERANCE:±0.05mm

PLUG SPEC



SCHEMATIC



AFTER INSERT SCHEMATIC

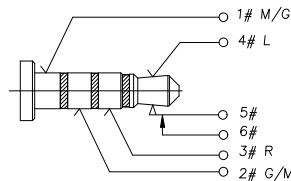


TABLE 1:

NO.	PART NAME	QTY	MATERIAL	DESCRIPTION	REMARK
⑧	Contact_5	⑤	1	Copper Alloy	T=0.20mm
⑦	Contact_6	⑥	1	Copper Alloy	T=0.20mm
⑥	Contact_4	④	1	Copper Alloy	T=0.20mm
⑤	Contact_3	③	1	Copper Alloy	T=0.20mm
④	Contact_2	②	1	Copper Alloy	T=0.20mm
③	Contact_1	①	1	Copper Alloy	T=0.20mm
②	Separator	1	HIGH TEMP	BLACK,UL94V-0	
①	Housing	1	HIGH TEMP	BLACK,UL94V-0	

CONTACT AREA: 1U"MIN
SOLDER AREA:1U"MIN
50u" OVER ALL

广东小迈实业有限公司

Website:

<https://www.xmconn.com>

TEL:

18938295888



PART NAME

ø3.5mm Phone Jack CONN.

PART NO.

DM35A023-06FP

TOLERANCE UNLESS OTHERWISE SPECIFIED:

X	±0.2
X.X	±0.15
X.XX	±0.10
X.XXX	±0.050

DRAWING:

Li

DATE:

2023.09.18

SCALE

SHEET

REV: A0

CHECK:

Chen

DATE:

2023.09.18

1:1

1/2

SIZE: A4

APPROVAL:

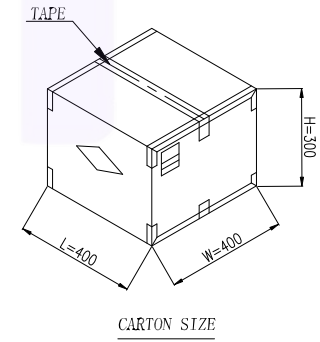
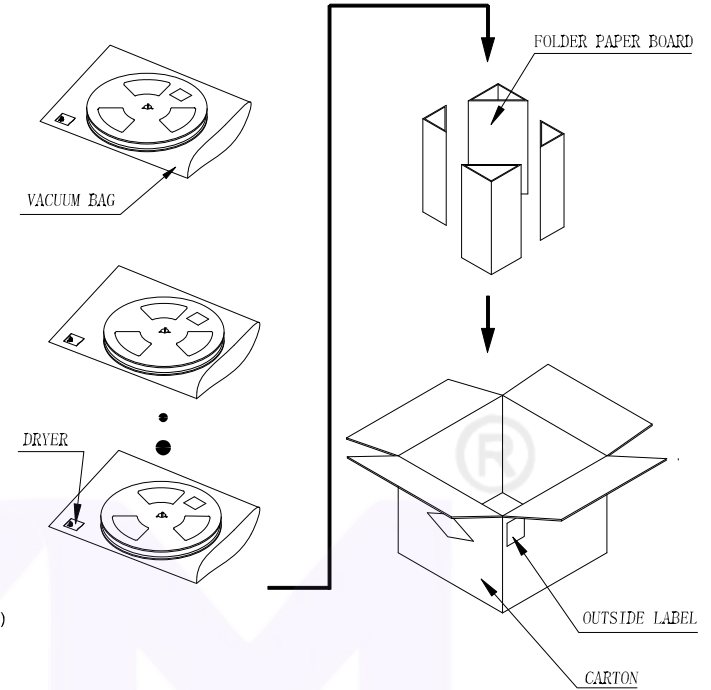
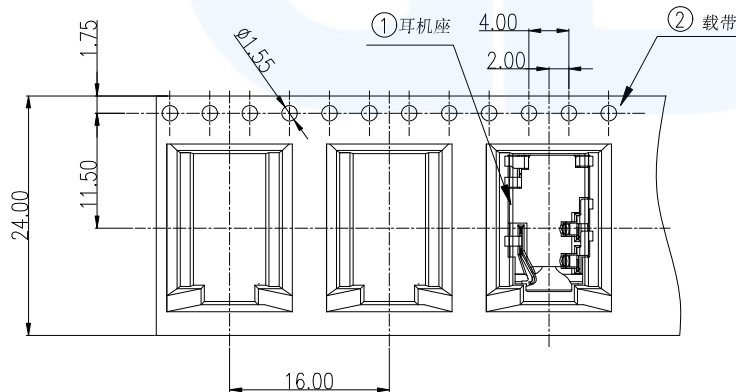
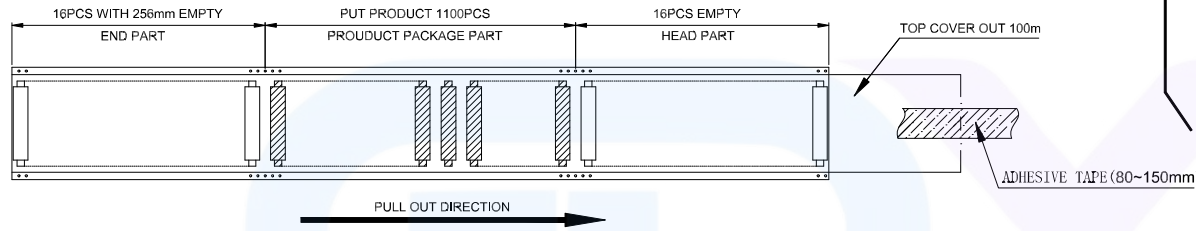
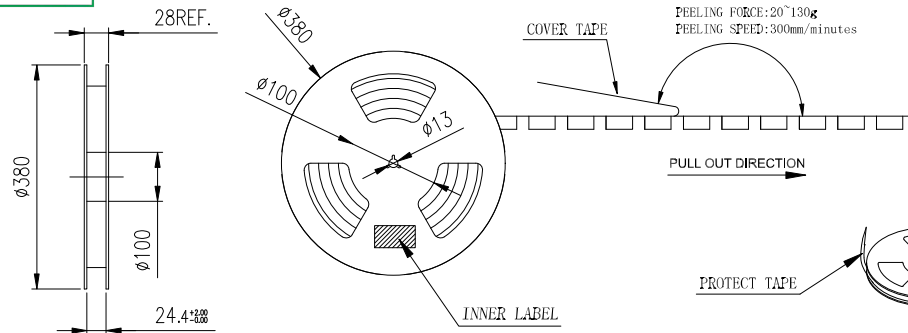
Yuan

DATE:

2023.09.18



RoHS
Compliant



- NOTES:
- Material requirements:
 - The carton material requirements for the K=A, Dimension is 400*400*300mm;
 - Reel materials for PET; size reel for 380*28.4.
 - Packaging requirements:
 - The tape into the packing machine, before the empty 16PCS, after the release of the product 1100PCS, then the empty 16PCS with 256mm length of stay;
 - Top cover should out 100mm of the carrier tape. After winding, using adhesive tape (80-150mm) to stick the leader of cover tap on the side of the carrier tape;
 - Winding a protect tape around the reel, then stick it by adhesive tape;
 - Label should paste in the designated area of the reel;
 - Put a dryer and a packed reel in the vacuum bag and make the vacuum process;
 - The tired folded 10 disks in the carton total 11000pcs;
 - Packed finished packing sealing, and in the outer carton label

1 CARTON = 10 REEL = 11000 PRODUCT

广东小迈实业有限公司

Website:

<https://www.xmconn.com>

TEL:

18938295888



PART NAME

ø3.5mm Phone Jack CONN.

PART NO.

DM35A023-06FP

TOLERANCE UNLESS OTHERWISE SPECIFIED:

X ±0.2
X.X ±0.15
X.XX ±0.10
X.XXX ±0.050

DRAWING:

Li

DATE:

2023.09.18

CHECK:

Chen

DATE:

2023.09.18

APPROVAL:

Yuan

DATE:

2023.09.18

SCALE

1:1

SHEET

2/2

REV: A0

SIZE: A4

