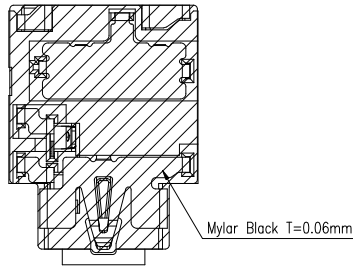
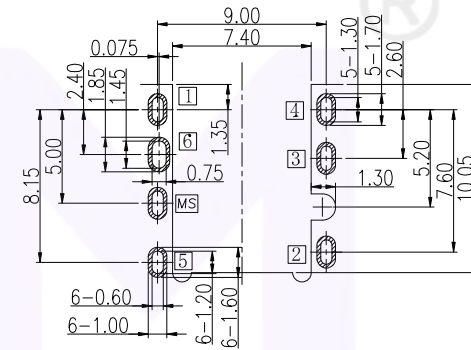
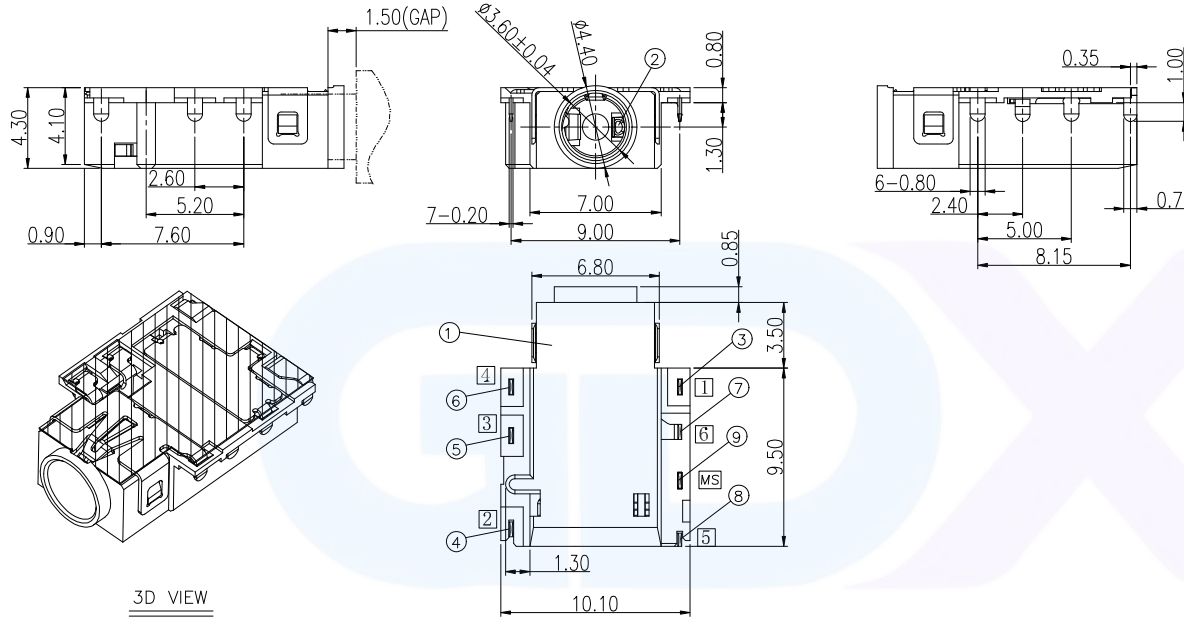


RoHS  
Compliant



NOTES:

1. MATERIAL: SEE "TABLE 1";
2. FINISH: SEE "TABLE 1";
3. ELECTRICAL:
  - 3.1. VOLTAGE RATING: 12 VAC RMS;
  - 3.2. CURRENT RATING: 0.5 AMP;
  - 3.3. CONTACT RESISTANCE: 50mΩ Max.(Initial),  
100mΩ Max.(After Life test);
  - 3.4. INSULATION RESISTANCE: 1000 MΩ Min., 500VDC.(Initial),  
100 MΩ Min., 500VDC.(After Humidity test);
  - 3.5. WITHSTAND VOLTAGE: 500 VAC RMS 50(60)Hz, 1 minute;
4. MECHANICAL:
  - 4.1. MATING FORCE: 3.0Kgf MAX.;
  - 4.2. UNMATING FORCE: 0.3Kgf MIN.;
  - 4.3. OPERATING LIFE: 5000 CYCLES MIN.;
5. ENVIRONMENTAL:
  - 5.1. OPERATION: -30°C~+80°C.



RECOMMENDED P.C.B LAYOUT  
TOP VIEW (TOLRANCE:±0.05)

| PLUG SPEC | SCHEMATIC | AFTER INSERT SCHEMATIC |
|-----------|-----------|------------------------|
|           |           |                        |

TABLE 1:

| NO. | PART NAME | QTY | MATERIAL        | DESCRIPTION   | REMARK   |
|-----|-----------|-----|-----------------|---|----------|
| ⑨   | Shell     | 1   | Stainless steel | Ni 50u" Min   | T=0.20mm |
| ⑧   | Contact_5 | ⑤   | Phosphor bronze | Gold Flash On Contact And Solder Tail Area,50u" Nickel UnderPlated              | T=0.20mm |
| ⑦   | Contact_6 | ⑥   | Phosphor bronze |   | T=0.20mm |
| ⑥   | Contact_4 | ④   | Phosphor bronze | Gold Flash on contact area, Plate Matte tin on solder tail, Nickel underplated. | T=0.20mm |
| ⑤   | Contact_3 | ③   | Phosphor bronze |   | T=0.20mm |
| ④   | Contact_2 | ②   | Phosphor bronze |   | T=0.20mm |
| ③   | Contact_1 | ①   | Phosphor bronze |   | T=0.20mm |
| ②   | Separator | 1   | HIGH TEMP       | Black,UL94V-0   |          |
| ①   | Housing   | 1   | HIGH TEMP       | Black,UL94V-0   |          |

广东小迈实业有限公司

Website:

<https://www.xmconn.com>

TEL:

18938295888



PART NAME:  $\phi$ 3.5mm Phone Jack CONN.

PART NO.: DM35A015-07FP

TOLERANCE UNLESS OTHERWISE SPECIFIED:

X ±0.2  
X.X ±0.15  
X.XX ±0.10  
X.XXX ±0.050

DRAWING:

Li

DATE:

2023.08.18

SCALE

SHEET

REV: A0

CHECK:

Chen

DATE:

2023.08.18

1:1

1/1

SIZE: A4

APPROVAL:

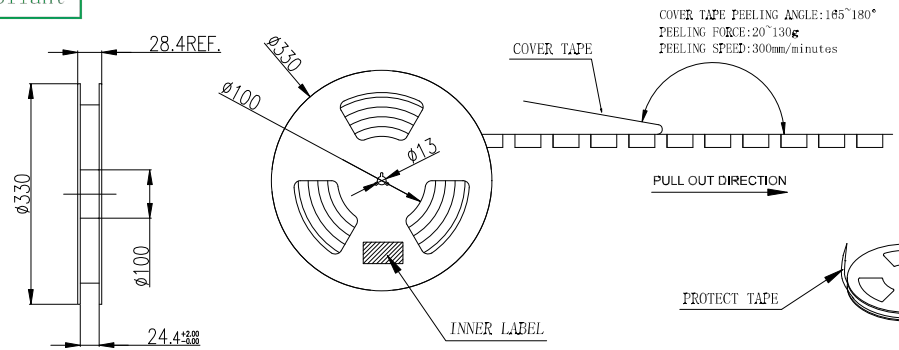
Wen

DATE:

2023.08.18

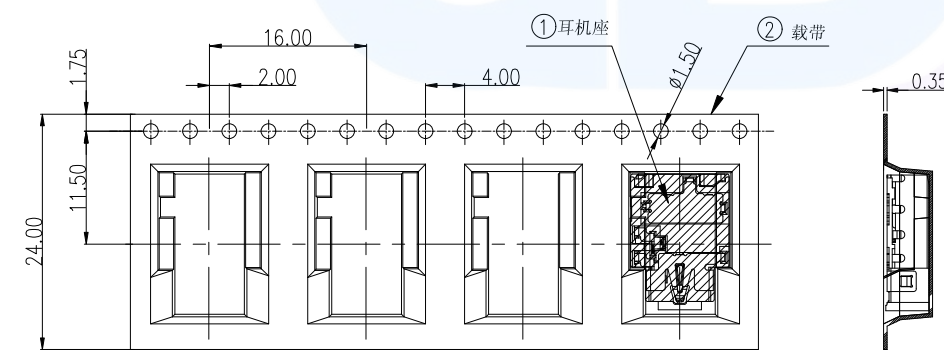
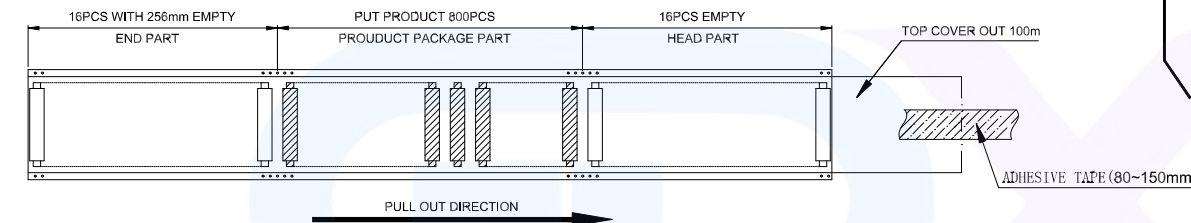
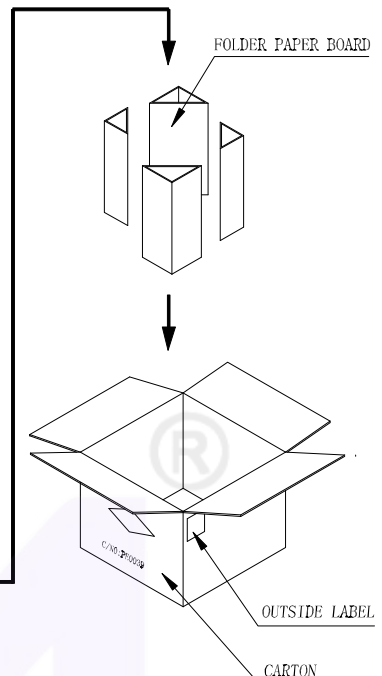
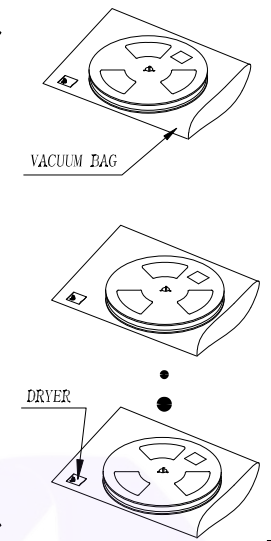


RoHS  
Compliant

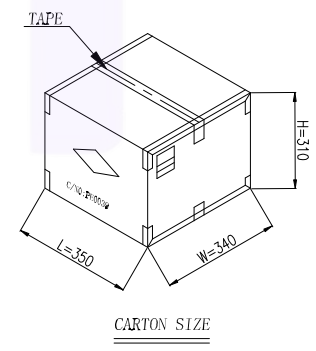


COVER TAPE PEELING ANGLE: 165°-180°  
PEELING FORCE: 20~130g  
PEELING SPEED: 300mm/minutes

PROTECT TAPE → 10 DISK



- NOTES:
- Material requirements:
    - The carton material requirements for the K=A, Dimension is 350\*310\*310mm;
    - Reel materials for PET; size reel for 330\*28.4.
  - Packaging requirements:
    - The tape into the packing machine, before the empty 16PCS, after the release of the product 800PCS, then the empty 16PCS with 256mm length of stay;
    - Top cover should out 100mm of the carrier tape. After winding, using adhesive tape (80-150mm) to stick the leader of cover tap on the side of the carrier tape;
    - Winding a protect tape around the reel, then stick it by adhesive tape;
    - label should paste in the designated area of the reel;
    - Put a dryer and a packed reel in the vacuum bag and make the vacuum process;
    - The tired folded 10 disks in the carton total 8000pcs;
    - Packed finished packing sealing, and in the outer carton label



1 CARTON = 10 REEL = 8000 PRODUCT

广东小迈实业有限公司

Website: <https://www.xmconn.com> TEL: 18938295888



|           |                         |
|-----------|-------------------------|
| PART NAME | φ3.5mm Phone Jack CONN. |
| PART NO.  | DM35A015-07FP           |

|                                       |        |
|---------------------------------------|--------|
| TOLERANCE UNLESS OTHERWISE SPECIFIED: |        |
| X                                     | ±0.2   |
| X.X                                   | ±0.15  |
| X.XX                                  | ±0.10  |
| X.XXX                                 | ±0.050 |

|           |      |       |            |       |       |          |
|-----------|------|-------|------------|-------|-------|----------|
| DRAWING:  | Li   | DATE: | 2023.08.18 | SCALE | SHEET | REV: A0  |
| CHECK:    | Chen | DATE: | 2023.08.18 | 1:1   | 1/1   | SIZE: A4 |
| APPROVAL: | Wen  | DATE: | 2023.08.18 |       |       |          |