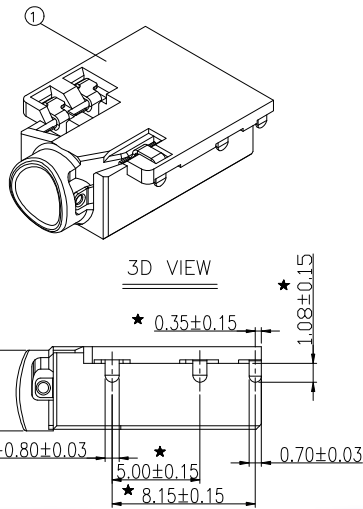
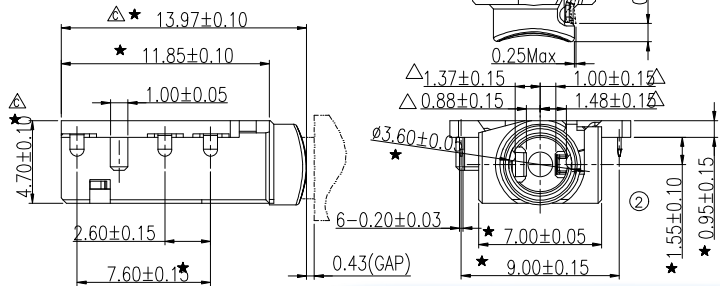


RoHS  
Compliant

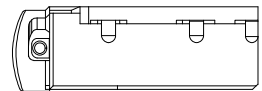
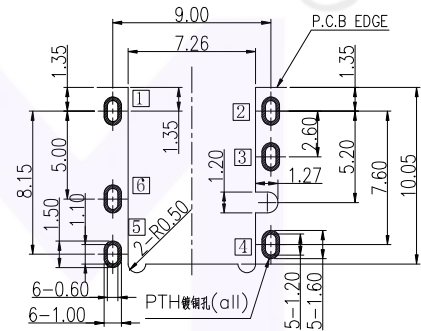
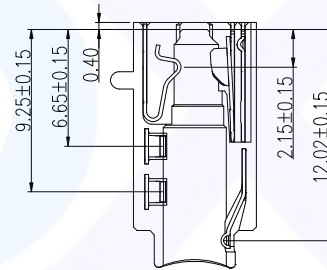
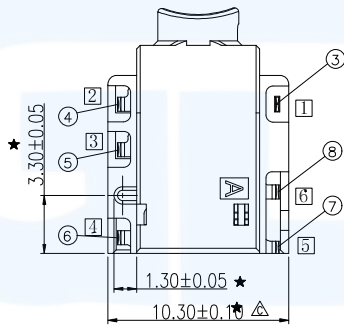
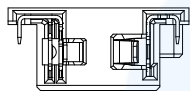
DATE CODE:

YY MM DD  
DAY  
MONTH  
YEAR



NOTES:

- MATERIAL: SEE "TABLE 1";
- FINISH: SEE "TABLE 1";
- ELECTRICAL:
  - VOLTAGE RATING: DC 12V
  - CURRENT RATING: 1A
  - CONTACT RESISTANCE: 50mΩ Max.(Initial), 100mΩ Max.(After Life test);
  - INSULATION RESISTANCE: 100 MΩ Min., 500VDC.(Initial), 50 MΩ Min., 500VDC.(After Humidity test);
  - WITHSTAND VOLTAGE: 500 VAC RMS 50(60)Hz, 1 minute;
- MECHANICAL:
  - MATING FORCE: 1.0~2.5Kgf.
  - UNMATING FORCE: 0.6~1.8Kgf.
  - OPERATING LIFE: 5000 CYCLES MIN.;
- ENVIRONMENTAL:
  - SALT SPRAY: 48H.
  - OPERATION: -30°C~+80°C.
- Dimension marked  $\Delta$  should 100% CCD inspecte  
Dimension marked  $\triangle$  should CPK>1.33  
Dimension marked  $\star$  should SIP inspecte by QC and IQC



↑ 塑胶口部强度:25N min

TABLE 1:

NO.	PART NAME	QTY	MATERIAL	DESCRIPTION	REMARK
⑧	Contact_5	6	1	C5210-EH	Au 1u"Min T=0.20mm
⑦	Contact_6	5	1	C5210-EH	Au 1u"Min T=0.20mm
⑥	Contact_4	4	1	C5210-H	Au 1u"Min T=0.20mm
⑤	Contact_3	3	1	C5210-H	Au 1u"Min T=0.20mm
④	Contact_2	2	1	C5210-H	Au 1u"Min T=0.20mm
③	Contact_1	1	1	C5210-H	Au 1u"Min T=0.20mm
②	Separator	1	LCP	Black	
①	Housing	1	PA10T	Black	

PLUG SPEC	SCHEMATIC	AFTER INSERT SCHEMATIC	TESTING PLUG

广东小迈实业有限公司

Website:

<https://www.xmconn.com>

TEL:

18938295888



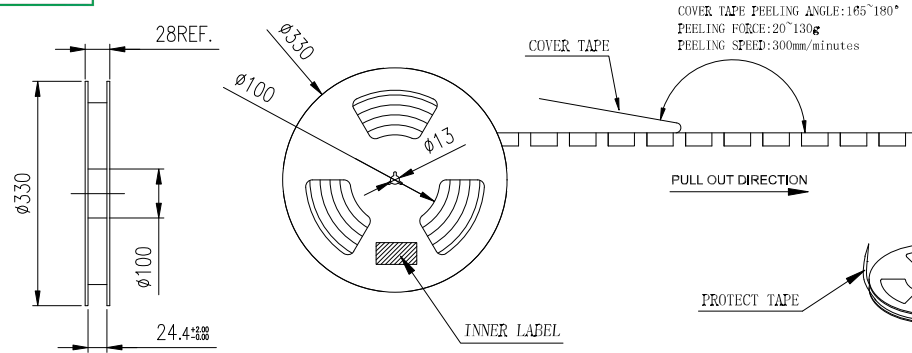
PART NAME  $\phi$ 3.5mm Phone Jack CONN.

PART NO. DM35A013-06FP

TOLERANCE UNLESS OTHERWISE SPECIFIED:  
X ±0.2  
X.X ±0.15  
X.XX ±0.10  
X.XXX ±0.050

DRAWING:	Li	DATE:	2023.09.18	SCALE	SHEET	REV: A0
CHECK:	Chen	DATE:	2023.09.18	1:1	1/2	SIZE: A4
APPROVAL:	Yuan	DATE:	2023.09.18			

RoHS  
Compliant

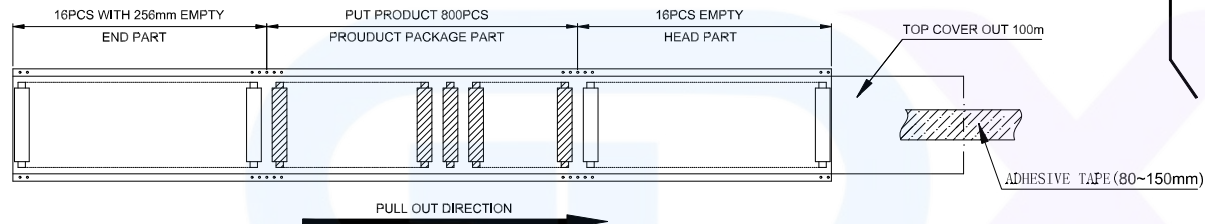
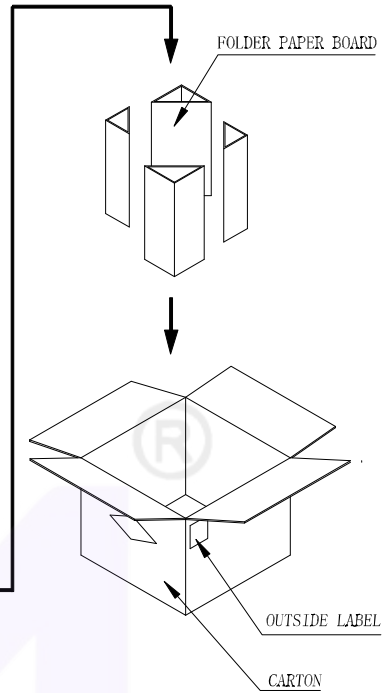
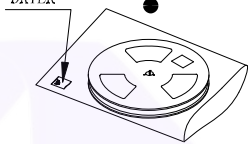
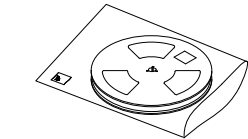
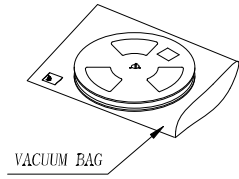


COVER TAPE PEELING ANGLE:165°~180°  
PEELING FORCE:20~130g  
PEELING SPEED:300mm/minutes

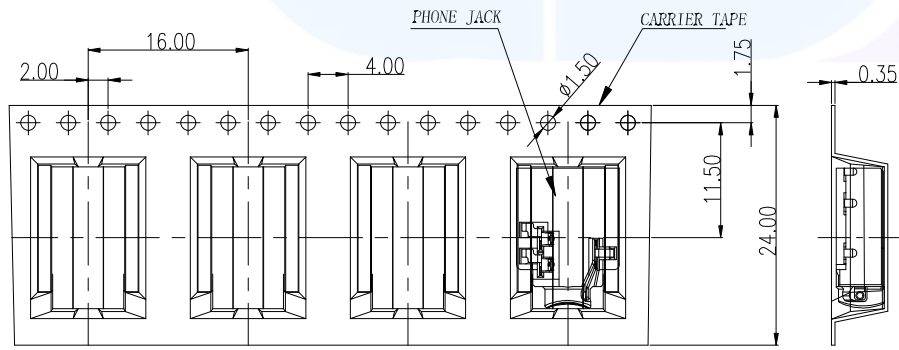
PULL OUT DIRECTION

PROTECT TAPE

10 DISK

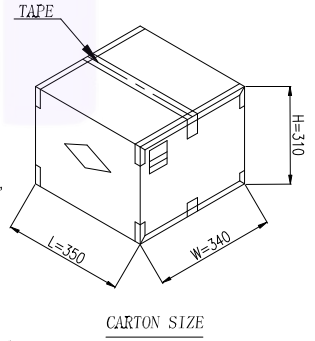


PULL OUT DIRECTION



NOTES:

- Material requirements:
  - The carton material requirements for the B=B, Dimension is 350\*340\*310mm;
  - Reel materials for PS: size reel for 330\*28.
- Packaging requirements:
  - The tape into the packing machine, before the empty 16PCS, after the release of the product 800PCS, then the empty 16PCS with 256mm length of stay;
  - Top cover should out 100mm of the carrier tape.After winding, using adhesive tape(80~150mm) to stick the leader of cover tap on the side of the carrier tape;
  - Winding a protect tape around the reel, then stick it by adhesive tape;
  - label should paste in the designated area of the reel;
  - Put a dryer and a packed reel in the vacuum bag and make the vacuum process;
  - The tired folded 10 disks in the carton total 8000pcs;
  - Packed finished packing sealing, and in the outer carton label



CARTON SIZE

1 CARTON = 10 REEL = 8000 PRODUCT

广东小迈实业有限公司

Website:

<https://www.xmconn.com>

TEL:

18938295888



PART NAME ø3.5mm Phone Jack CONN.

PART NO. DM35A013-06FP

TOLERANCE UNLESS OTHERWISE SPECIFIED:  
X ±0.2  
X.X ±0.15  
X.XX ±0.10  
X.XXX ±0.050

DRAWING:	Li	DATE:	2023.09.18	SCALE	SHEET	REV: A0
CHECK:	Chen	DATE:	2023.09.18	1:1	2/2	SIZE: A4
APPROVAL:	Yuan	DATE:	2023.09.18			

F

E

D

C

B

A