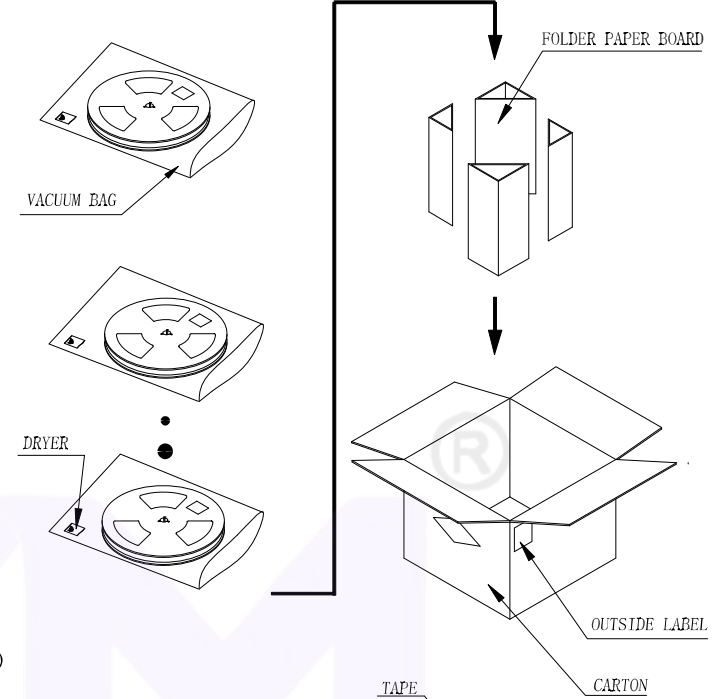
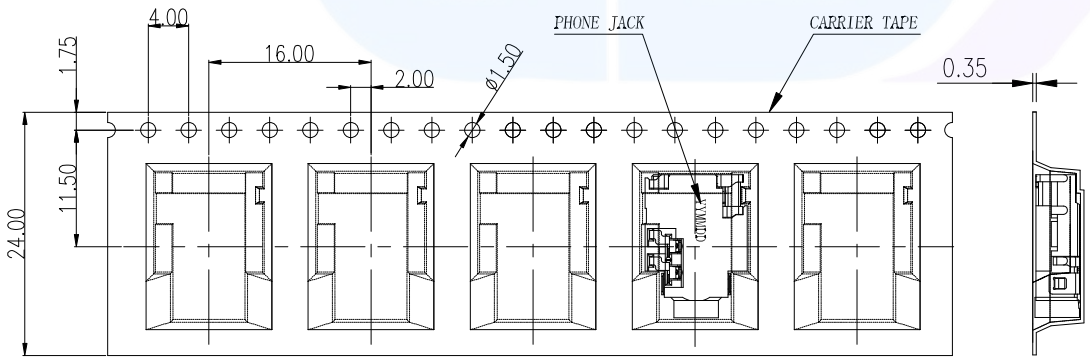
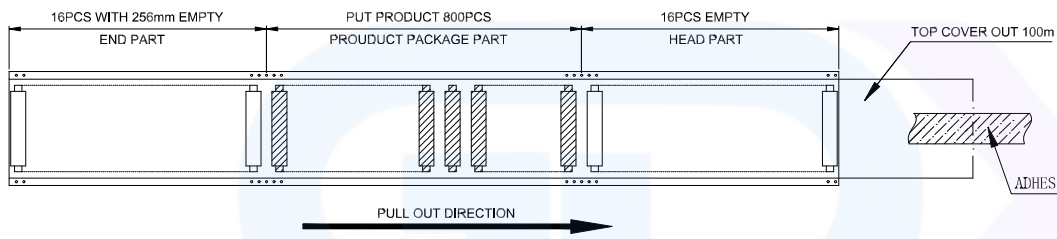
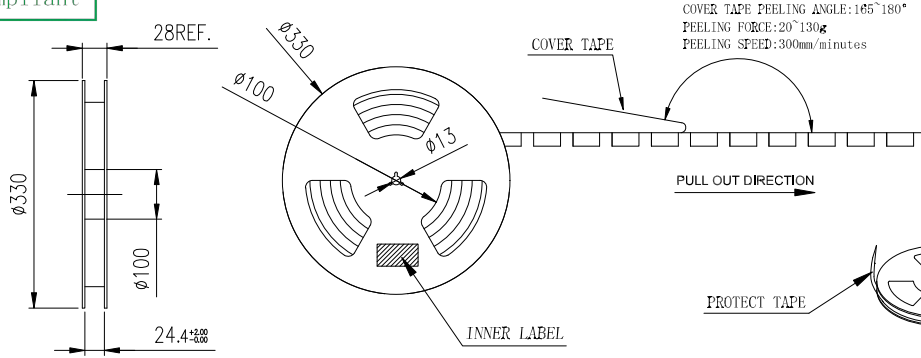


RoHS
Compliant



- NOTES:
- Material requirements:
 - The carton material requirements for the B=B, Dimension is 350*340*310mm;
 - Reel materials for PS; size reel for 330*28.
 - Packaging requirements:
 - The tape into the packing machine, before the empty 16PCS, after the release of the product 800PCS, then the empty 16PCS with 256mm length of stay;
 - Top cover should out 100mm of the carrier tape. After winding, using adhesive tape (80-150mm) to stick the leader of cover tap on the side of the carrier tape;
 - Winding a protect tape around the reel, then stick it by adhesive tape;
 - Label should paste in the designated area of the reel;
 - Put a dryer and a packed reel in the vacuum bag and make the vacuum process;
 - The tired folded 10 disks in the carton total 8000pcs;
 - Packed finished packing sealing, and in the outer carton label

NOTES:	
P/N	颜色
TJ9406FD139035Y0-L	蓝色(绿色)
TJ9406FD139035Y0-F	蓝色(棕色)
TJ9406FD139035Y0	蓝色(蓝色)

广东小迈实业有限公司

Website: <https://www.xmconn.com> TEL: 18938295888



PART NAME	φ3.5mm Phone Jack CONN.
PART NO.	DM35A011-06FP

TOLERANCE UNLESS OTHERWISE SPECIFIED:	
X	±0.2
X.X	±0.15
X.XX	±0.10
X.XXX	±0.050

DRAWING:	Li	DATE:	2023.09.18	SCALE	SHEET	REV:	A0
CHECK:	Chen	DATE:	2023.09.18	1:1	2/2	SIZE:	A4
APPROVAL:	Yuan	DATE:	2023.09.18				