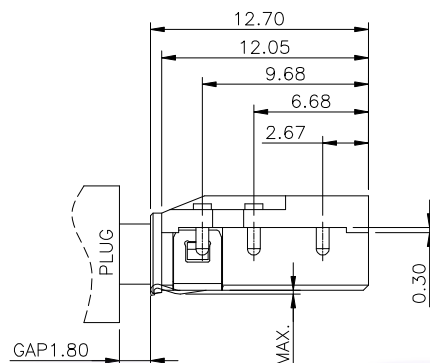
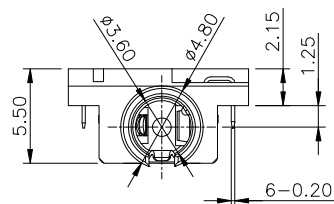
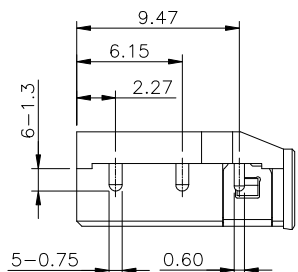
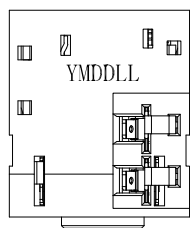
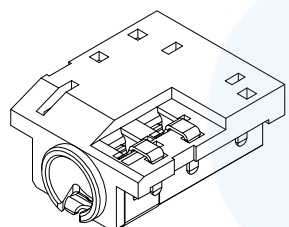


RoHS  
Compliant

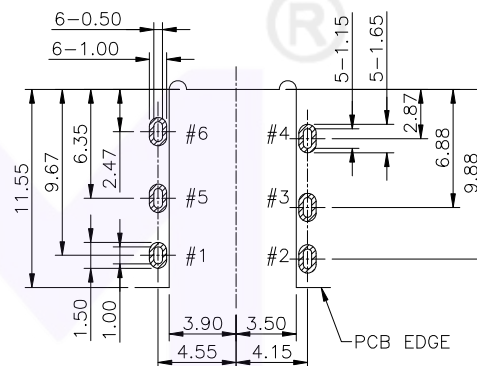
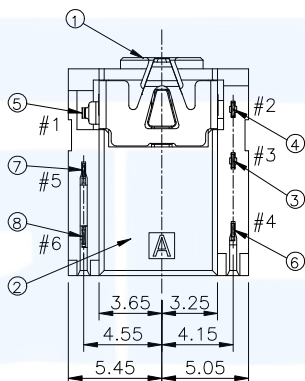


NOTES:

1. MATERIAL: SEE "TABLE 1";
2. FINISH: SEE "TABLE 1";
3. ELECTRICAL:
  - 3.1. VOLTAGE RATING: 12 VAC RMS;
  - 3.2. CURRENT RATING: 1 AMP;
  - 3.3. CONTACT RESISTANCE: 50mΩ Max.(Initial), 100mΩ Max.(After Life test);
  - 3.4. INSULATION RESISTANCE: 100 MΩ Min., 500VDC.(Initial), 50 MΩ Min., 500VDC.(After Humidity test);
  - 3.5. WITHSTAND VOLTAGE: 500 VAC RMS 50(60)Hz, 1 minute;
4. MECHANICAL:
  - 4.1. MATING FORCE: 3.0Kgf MAX.;
  - 4.2. UNMATING FORCE: 0.3Kgf MIN.;
  - 4.3. OPERATING LIFE: 5000 CYCLES MIN.;
5. ENVIRONMENTAL:
  - 5.1. OPERATION: -30°C~+80°C.

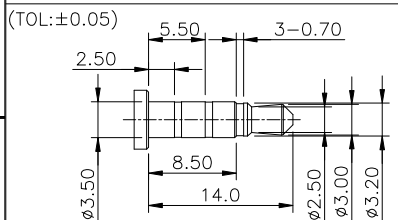


3D VIEW

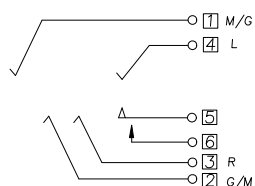


RECOMMENDED PCB LAYOUT  
TOP VIEW (TOL:±0.05)

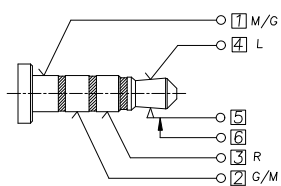
PLUG SPEC



SCHEMATIC



AFTER INSERT PLUG



DATE CODE:

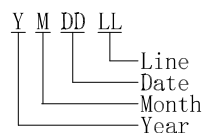


TABLE 1:

⑧	MAKE	⑥	1	Phosphor bronze	GOLD FLASH ON CONTACT AREA, GOLD FLASH ON SOLDER AREA, ALL OVER NI 40μ"MIN	T=0.20mm
⑦	TRANSFER	⑤	1	Phosphor bronze		T=0.20mm
⑥	TIP	④	1	Phosphor bronze		T=0.20mm
⑤	EARTH	①	1	Phosphor bronze		T=0.20mm
④	RING B	②	1	Phosphor bronze		T=0.20mm
③	RING A	③	1	Phosphor bronze		T=0.20mm
②	SEPARATOR		1	HIGH TEMP. PLASTIC	UL94 V-0	BLACK
①	HOUSING		1	HIGH TEMP. PLASTIC	UL94 V-0	SEE TABLE
NO.	PART NAME	QTY		MATERIAL	DESCRIPTION	REMARK

广东小迈实业有限公司

Website: <https://www.xmconn.com>

TEL: 18938295888



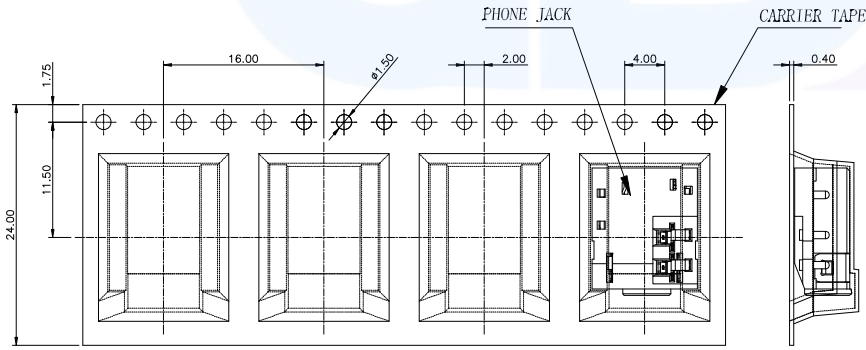
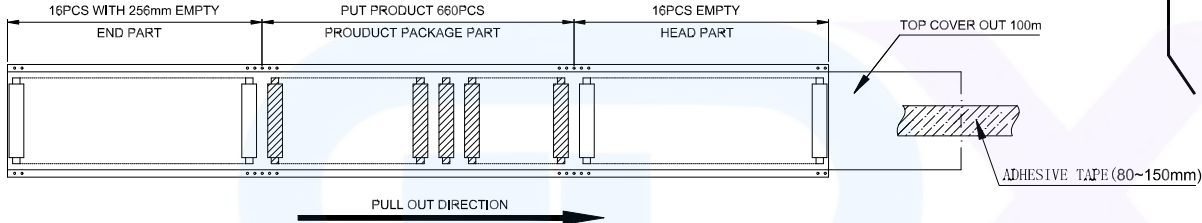
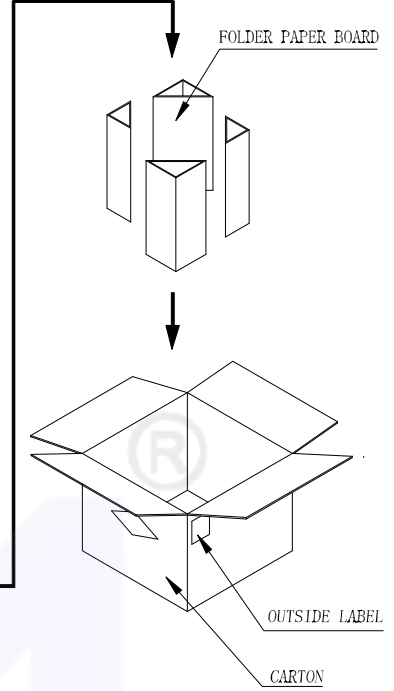
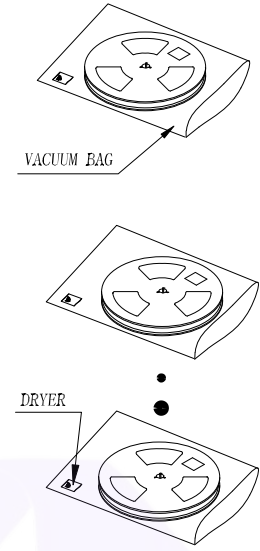
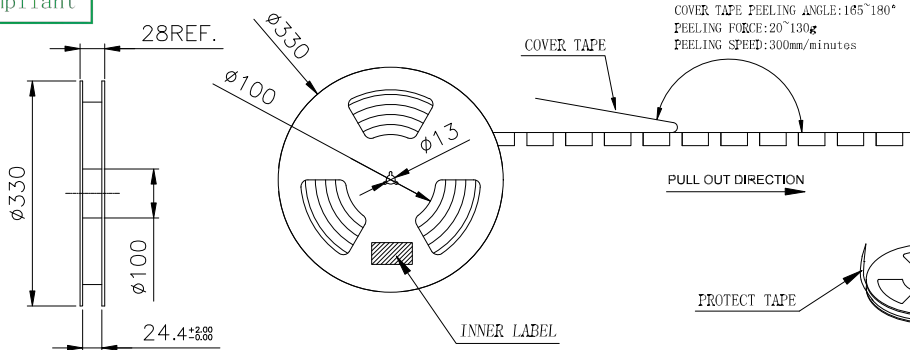
PART NAME: φ3.5mm Phone Jack CONN.

PART NO.: DM35A010-06FP

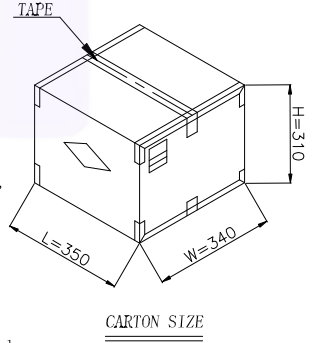
TOLERANCE UNLESS OTHERWISE SPECIFIED:  
X ±0.2  
X.X ±0.15  
X.XX ±0.10  
X.XXX ±0.050

DRAWING:	Li	DATE:	2023.08.18	SCALE:	SHEET	REV:	A0
CHECK:	Chen	DATE:	2023.08.18	1:1	1/2	SIZE:	A4
APPROVAL:	Wen	DATE:	2023.08.18				

RoHS  
Compliant



- NOTES:
- Material requirements:
    - The carton material requirements for the B=B, Dimension is 350\*340\*310mm;
    - Reel materials for PS; size reel for 330\*28.
  - Packaging requirements:
    - The tape into the packing machine, before the empty 16PCS, after the release of the product 660PCS, then the empty 16PCS with 256mm length of stay;
    - Top cover should out 100mm of the carrier tape. After winding, using adhesive tape (80~150mm) to stick the leader of cover tap on the side of the carrier tape;
    - Winding a protect tape around the reel, then stick it by adhesive tape;
    - Label should paste in the designated area of the reel;
    - Put a dryer and a packed reel in the vacuum bag and make the vacuum process;
    - The tired folded 10 disks in the carton total 6600pcs;
    - Packed finished packing sealing, and in the outer carton label



1 CARTON = 10 REEL = 6600 PRODUCT

广东小迈实业有限公司

Website: <https://www.xmconn.com> TEL: 18938295888



PART NAME	ø3.5mm Phone Jack CONN.
PART NO.	DM35A010-06FP

TOLERANCE UNLESS OTHERWISE SPECIFIED:	
X	±0.2
X.X	±0.15
X.XX	±0.10
X.XXX	±0.050

DRAWING:	Li	DATE:	2023.08.18	SCALE	SHEET	REV: A0
CHECK:	Chen	DATE:	2023.08.18	1:1	2/2	SIZE: A4
APPROVAL:	Wen	DATE:	2023.08.18			