

RoHS
Compliant

NOTES:

1. MATERIAL: SEE "TABLE 1";
2. FINISH: SEE "TABLE 1";
3. ELECTRICAL:
 - 3.1. VOLTAGE RATING: 12 VAC RMS;
 - 3.2. CURRENT RATING: 0.5 AMP;
 - 3.3. CONTACT RESISTANCE: 50mΩ Max.(Initial),
100mΩ Max.(After Life test);
 - 3.4. INSULATION RESISTANCE: 1000 MΩ Min., 500VDC.(Initial),
100 MΩ Min., 500VDC.(After Humidity test);
 - 3.5. WITHSTAND VOLTAGE: 500 VAC RMS 50(60)Hz, 1 minute;
4. MECHANICAL:
 - 4.1. MATING FORCE: 3.0Kgf MAX.;
 - 4.2. UNMATING FORCE: 0.3Kgf MIN.;
 - 4.3. OPERATING LIFE: 5000 CYCLES MIN.;
5. ENVIRONMENTAL:
 - 5.1. OPERATION: -30°C~+80°C.

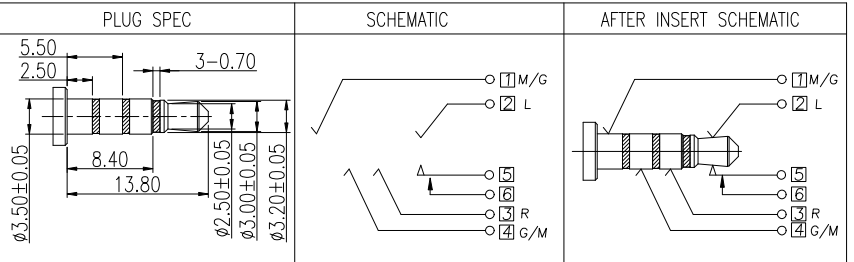
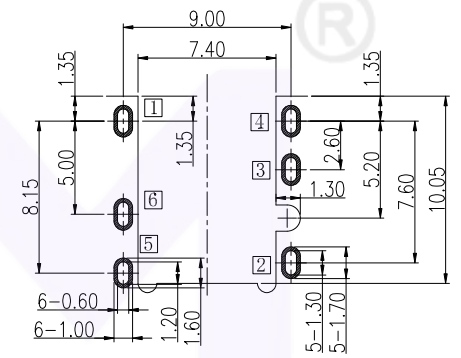
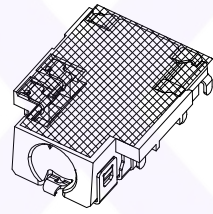
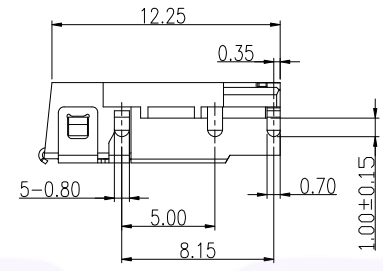
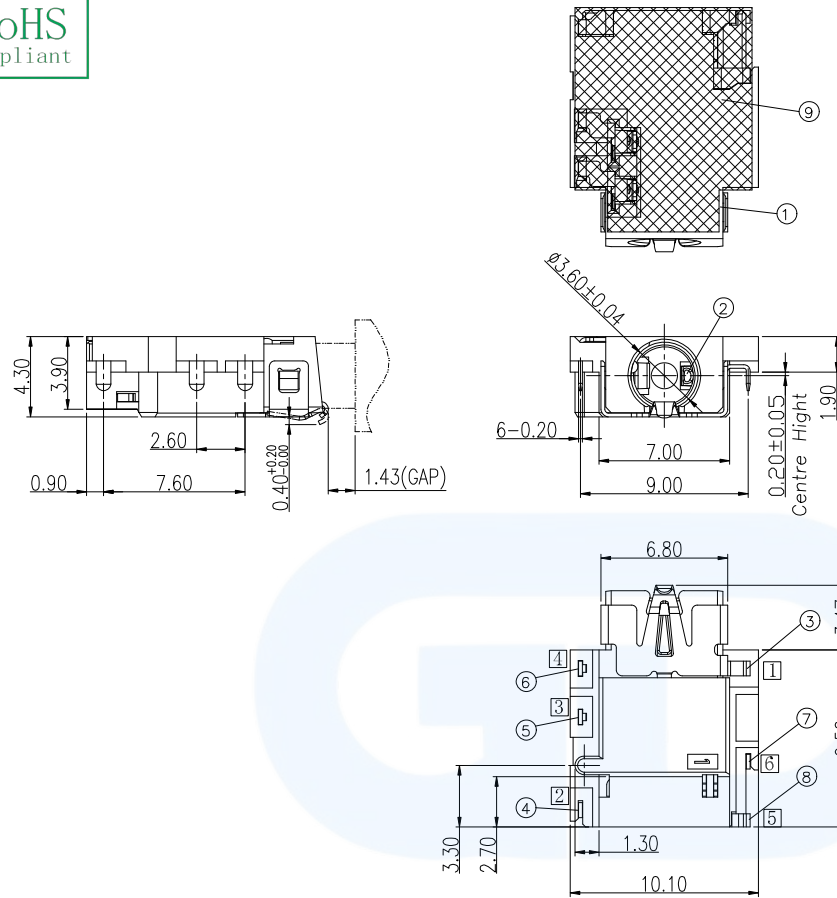


TABLE 1:

NO.	PART NAME	QTY	MATERIAL	DESCRIPTION	REMARK
⑨	MYLAR	1	T=0.08mm	BLACK	
⑧	Contact_5	⑤	Phosphor bronze	Au1u*Min	T=0.20mm
⑦	Contact_6	⑥	Phosphor bronze	Au1u*Min	T=0.20mm
⑥	Contact_4	④	Phosphor bronze	Au1u*Min; Tin50u*Min	T=0.20mm
⑤	Contact_3	③	Phosphor bronze	Au1u*Min; Tin50u*Min	T=0.20mm
④	Contact_2	②	Phosphor bronze	Au1u*Min; Tin50u*Min	T=0.20mm
③	Contact_1	①	Phosphor bronze	Au1u*Min; Tin50u*Min	T=0.20mm
②	Separator	1	HIGH TEMP. PLASTIC	Black	
①	Housing	1	HIGH TEMP. PLASTIC	Black	

广东小迈实业有限公司

Website: <https://www.xmconn.com> TEL: 18938295888

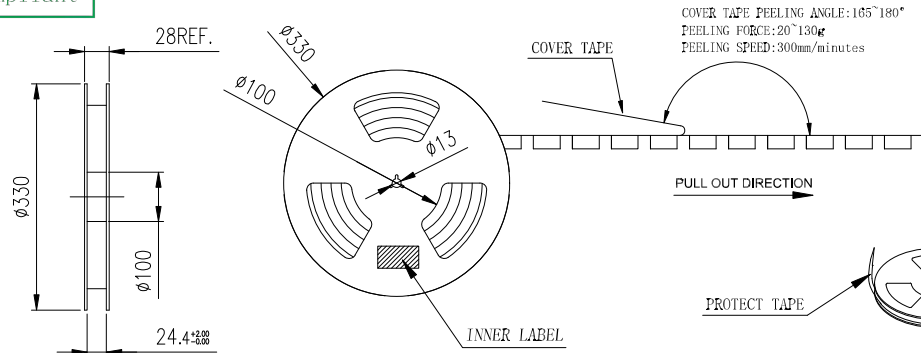


PART NAME: ø3.5mm Phone Jack CONN.
PART NO.: DM35A009-06FP

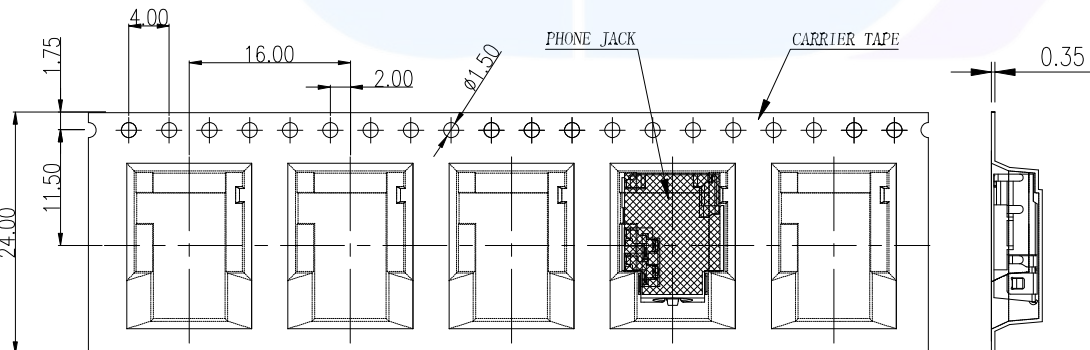
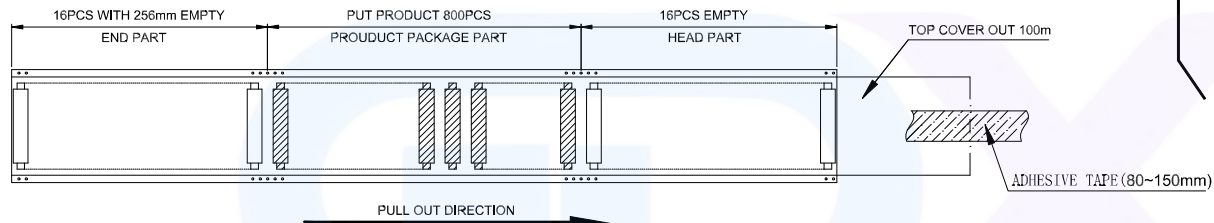
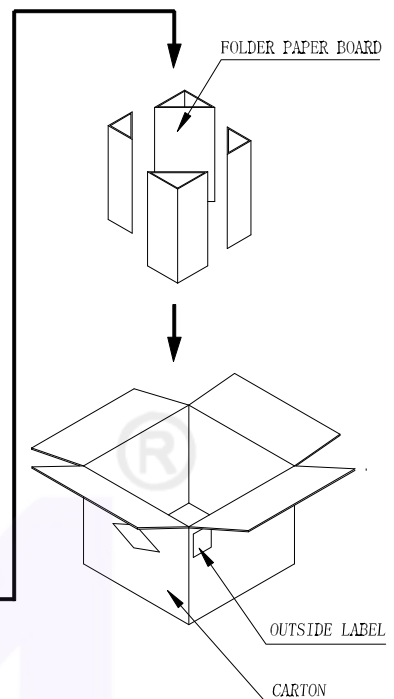
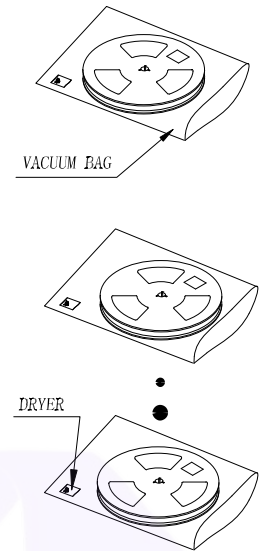
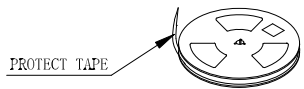
TOLERANCE UNLESS OTHERWISE SPECIFIED:
X ±0.2
X.X ±0.15
X.XX ±0.10
X.XXX ±0.050

DRAWING: Li DATE: 2023.08.18 SCALE: SHEET REV: A0
CHECK: Chen DATE: 2023.08.18 1:1 1/2 SIZE: A4
APPROVAL: Yuan DATE: 2023.08.18

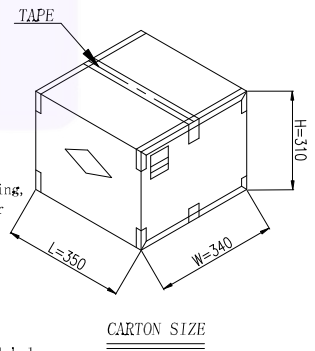
RoHS
Compliant



COVER TAPE PEELING ANGLE:165°~180°
PEELING FORCE:20~130g
PEELING SPEED:300mm/minutes



- NOTES:
- Material requirements:
 - The carton material requirements for the B=B, Dimension is 350*340*310mm;
 - Reel materials for PS; size reel for 330*28.
 - Packaging requirements:
 - The tape into the packing machine, before the empty 16PCS, after the release of the product 800PCS, then the empty 16PCS with 256mm length of stay;
 - Top cover should out 100mm of the carrier tape. After winding, using adhesive tape (80~150mm) to stick the leader of cover top on the side of the carrier tape;
 - Winding a protect tape around the reel, then stick it by adhesive tape;
 - Label should paste in the designated area of the reel;
 - Put a dryer and a packed reel in the vacuum bag and make the vacuum process;
 - The tired folded 10 disks in the carton total 8000pcs;
 - Packed finished packing sealing, and in the outer carton label



1 CARTON = 10 REEL = 8000 PRODUCT

广东小迈实业有限公司

Website: <https://www.xmconn.com> TEL: 18938295888



PART NAME: 0.3.5mm Phone Jack CONN.
PART NO.: DM35A009-06FP

TOLERANCE UNLESS OTHERWISE SPECIFIED:
X ±0.2
X.X ±0.15
X.XX ±0.10
X.XXX ±0.050

DRAWING:	Li	DATE:	2023.08.18	SCALE	SHEET	REV:	A0
CHECK:	Chen	DATE:	2023.08.18	1:1	2/2	SIZE:	A4
APPROVAL:	Yuan	DATE:	2023.08.18				