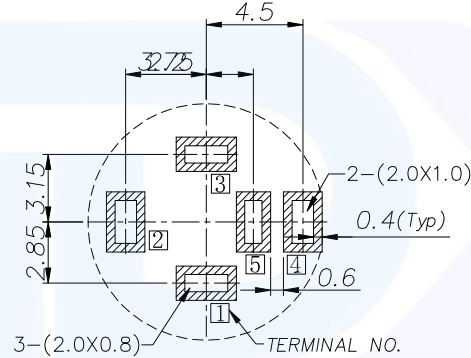
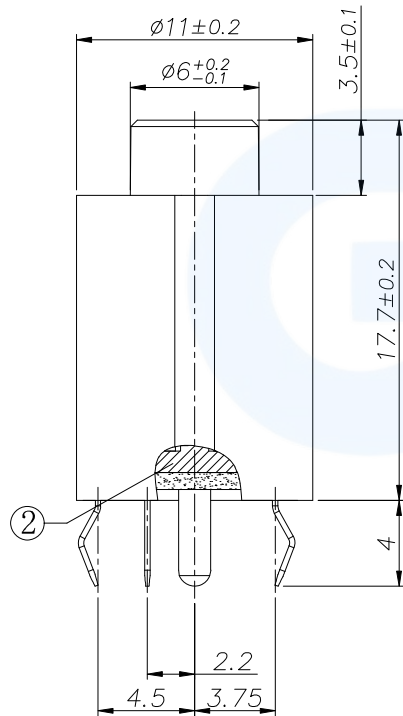
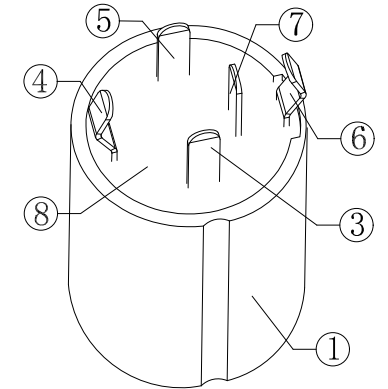
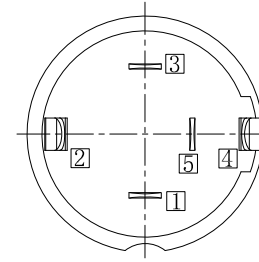
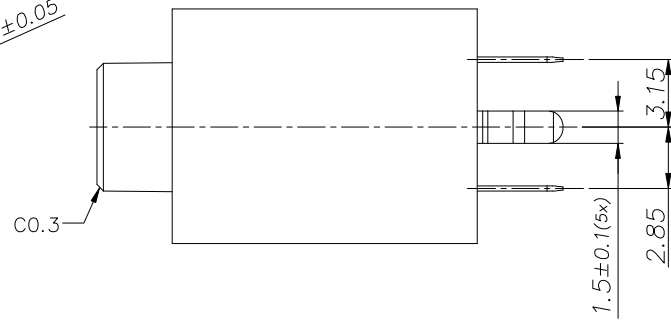
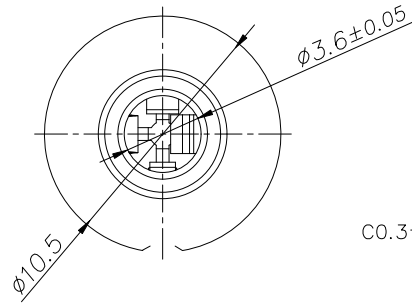
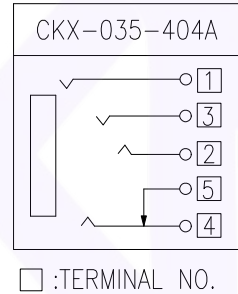
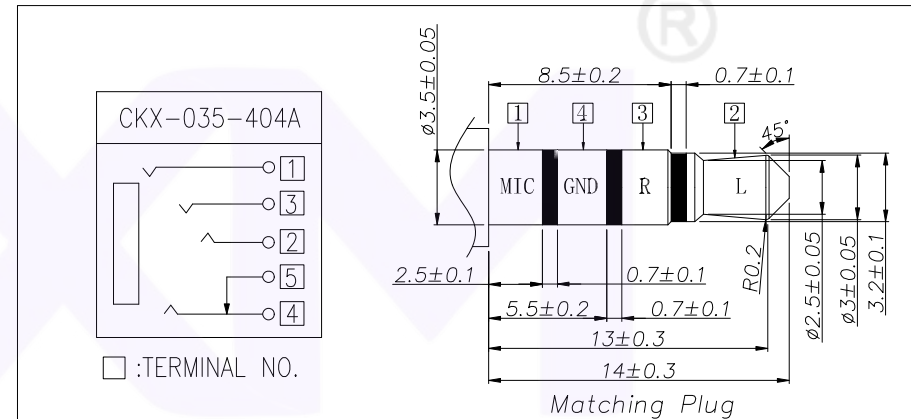


RoHS
Compliant



RECOMMENDED PCB LAYOUT (t=1.6)
UNSPECIFIED TOLERANCE: ± 0.05
(BOTTOM VIEW)



LTR	PART NAME	QTY	MATERIAL	REMARK
⑧	GLUE	1	---	BLACK
⑦	SHUNT TERMINAL	⑤	BRASS t=0.25	Ni undreplating, Sn Plating
⑥	RING SPRING-2	④	PHOSPHOR BRONZE t=0.25	Ni undreplating, Sn Plating
⑤	RING SPRING-1	③	PHOSPHOR BRONZE t=0.25	Ni undreplating, Sn Plating
④	TIP SPRING	②	PHOSPHOR BRONZE t=0.25	Ni undreplating, Sn Plating
③	EARTH SPRING	①	PHOSPHOR BRONZE t=0.25	Ni undreplating, Sn Plating
②	COVER	1	PBT(Black)	UL 94V-0
①	HOUSING	1	PBT(Black)	UL 94V-0

UNLESS OTHERWISE SPECIFIED, TOLERANCE ON DECIMAL: ± 0.3

广东小迈实业有限公司

Website: <https://www.xmconn.com> TEL: 18938295888



PART NAME	$\phi 3.5$ MINIATURE JACK
PART NO.	DM35A001-05DP

TOLERANCE UNLESS OTHERWISE SPECIFIED:	
X	± 0.2
X.X	± 0.15
X.XX	± 0.10
X.XXX	± 0.050

DRAWING:	Li	DATE:	2023.08.18	SCALE	SHEET	REV: A0
CHECK:	Chen	DATE:	2023.08.18	1:1	1/1	SIZE: A4
APPROVAL:	Wen	DATE:	2023.08.18			