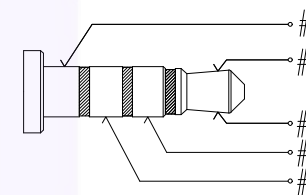
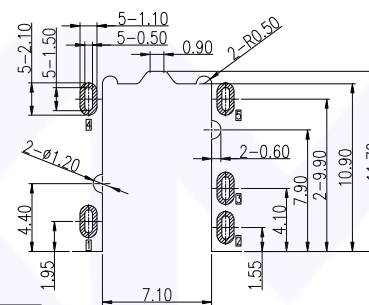
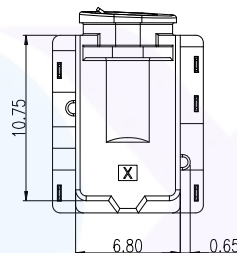
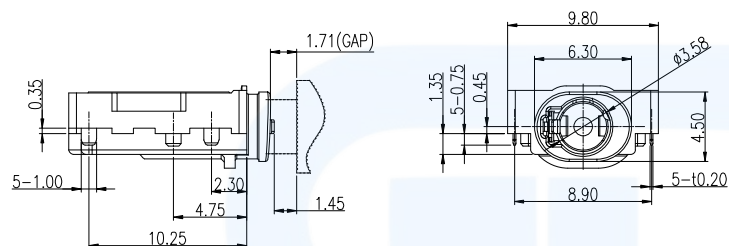
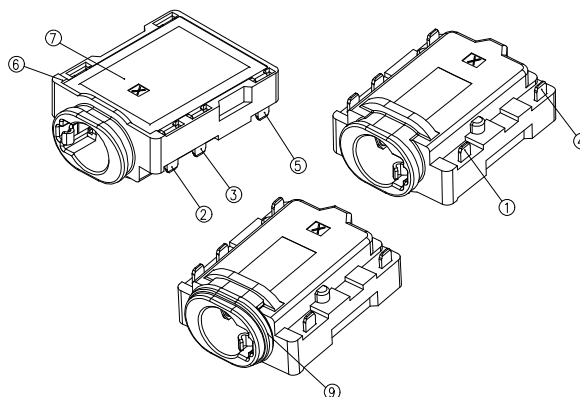
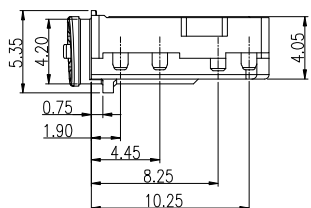
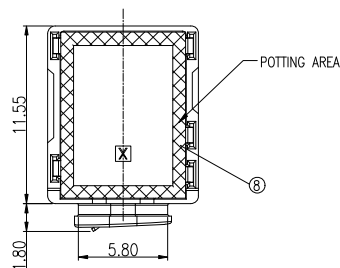


RoHS
Compliant

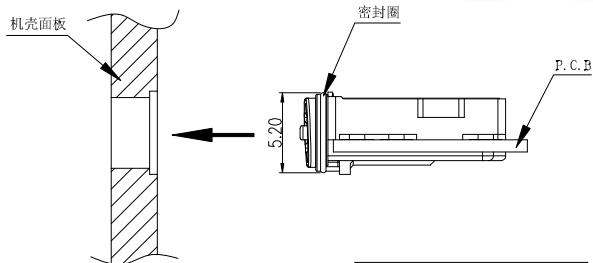


NOTES:

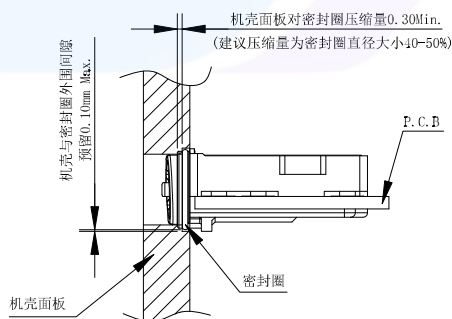
1. MATERIAL: SEE "TABLE 1";
2. FINISH: SEE "TABLE 1";
3. ELECTRICAL:
 - 3.1. VOLTAGE RATING: 12 VAC RMS;
 - 3.2. CURRENT RATING: 1 AMP;
 - 3.3. CONTACT RESISTANCE: 30mΩ Max.(Initial), 50mΩ Max.(After Life test);
 - 3.4. INSULATION RESISTANCE: 1000 MΩ Min., 500VDC.(Initial), 100 MΩ Min., 500VDC.(After Humidity test);
 - 3.5. WITHSTAND VOLTAGE: 500 VAC RMS 50(60)Hz, 1 minute;
4. MECHANICAL:
 - 4.1. MATING FORCE: 3.0Kgf MAX.;
 - 4.2. UNMATING FORCE: 0.3Kgf MIN.;
 - 4.3. OPERATING LIFE: 5000 CYCLES MIN.;
5. ENVIRONMENTAL:
 - 5.1. OPERATION: -30°C~+80°C.



P/N: PJ-402-4J



装配防水圈的成品, 建议密封方式.



装配防水圈的成品, 组装面板示意图.

RECOMMENDED P.C.B LAYOUT
TOP VIEW (TOLRANCE:±0.05)

AFTER INSERT SCHEMATIC

⑨	SEAL RING	1	HIGH TEMP	BLACK	
⑧	GLUE WATER	1	EPOXY	BLACK	
⑦	Cover	1	HIGH TEMP	BLACK	
⑥	Housing	1	HIGH TEMP	BLACK	
⑤	TERMINAL-5	1	COPPER ALLOY	Au PLATED	T=0.20mm
④	TERMINAL-4	1	COPPER ALLOY	Au PLATED	T=0.20mm
③	TERMINAL-3	1	COPPER ALLOY	Au PLATED	T=0.20mm
②	TERMINAL-2	1	COPPER ALLOY	Au PLATED	T=0.20mm
①	TERMINAL-1	1	COPPER ALLOY	Au PLATED	T=0.20mm

NO.	PART NAME	QTY	MATERIAL	DESCRIPTION	REMARK
-----	-----------	-----	----------	-------------	--------

广东小迈实业有限公司

Website:

<https://www.xmconn.com>

TEL:

18938295888



PART NAME

3.5耳机插座

PART NO.

DM35A029-05FB

TOLERANCE UNLESS OTHERWISE SPECIFIED:

X ±0.2
X.X ±0.15
X.XX ±0.10
X.XXX ±0.050

DRAWING:

Li

DATE:

2023.08.18

SCALE

SHEET

REV: A0

CHECK:

Chen

DATE:

2023.08.18

1:1

1/1

SIZE: A4

APPROVAL:

Wen

DATE:

2023.08.18

