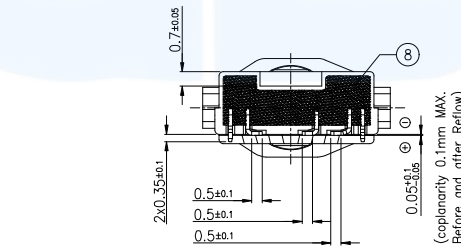
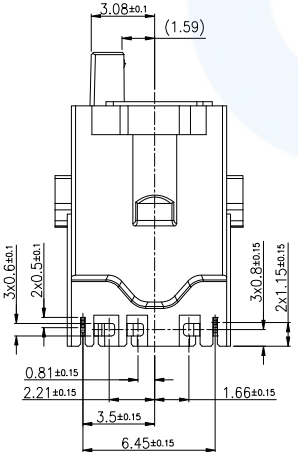
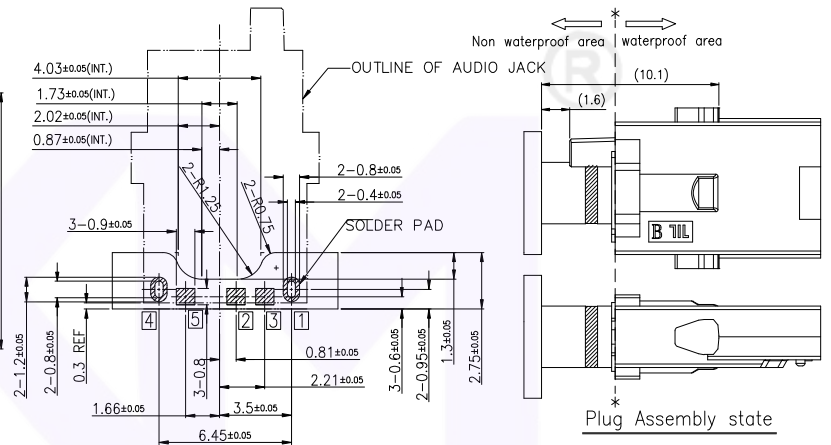
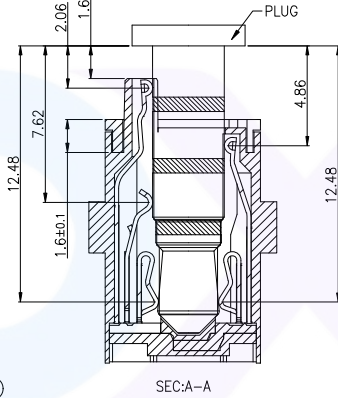
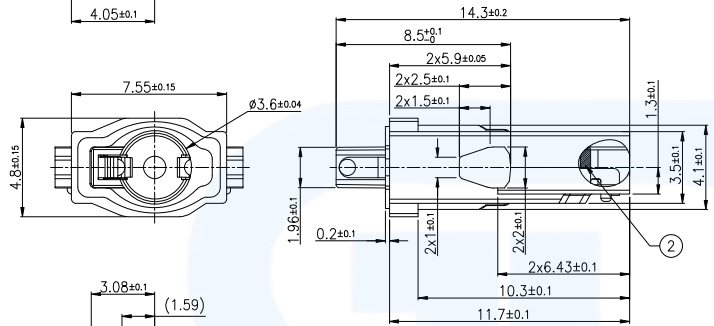
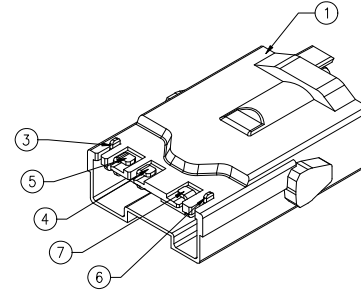
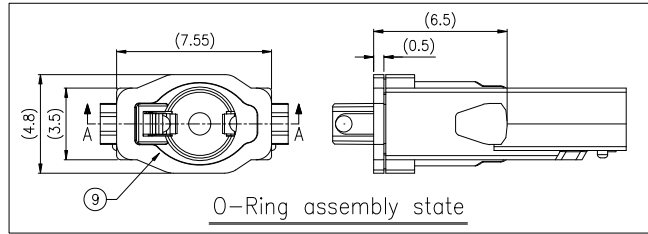
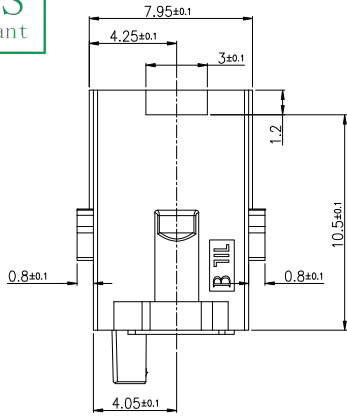


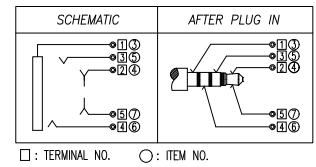
RoHS  
Compliant



- SPECIFICATIONS:
- INSULATION RESISTANCE:500MΩ OR MORE THE TEST VOLTAGE OF 500VDC
  - CONTACT RESISTANCE:30mΩ OR LESS
  - VOLTAGE PROOF:500V AC FOR ONE MINUTE
  - INSERTION FORCE:4N~25N
  - WITHDRAWAL FORCE:4N~25N
  - WATER PROOFNESS: This product is based on IPX8(2m,30min)
  - USING PLUG: φ3.5MM、4-POLE STEREO EARPHONE(LCH/RCH/GND/MIC) PROVIDED THAT THEY CONFORM TO JIS C6560
  - CONNECTOR AND O-RINGS ARE PACKED SEPARATELY.



Dimensions of PCB board holes  
Tolerance : ±0.05(TOP VIEW)



⑨	O-RING	----	1	----	----
⑧	BOND	----	1	----	----
⑦	TIP SPRING-2	⑤	1	SUS301 t=0.2	Under plating: Ni plating(MIN 1μm)/Contact area: Au plating(MIN 0.03μm) Soldering area: Au plating(MIN 0.03μm)
⑥	RING SPRING-2	④	1	C5210 t=0.2	Under plating: Ni plating(MIN 1μm)/Contact area: Au plating(MIN 0.03μm) Soldering area: Au plating(MIN 0.03μm)
⑤	RING SPRING-1	③	1	C5210 t=0.2	Under plating: Ni plating(MIN 1μm)/Contact area: Au plating(MIN 0.03μm) Soldering area: Au plating(MIN 0.03μm)
④	TIP SPRING-1	②	1	SUS301 t=0.2	Under plating: Ni plating(MIN 1μm)/Contact area: Au plating(MIN 0.03μm) Soldering area: Au plating(MIN 0.03μm)
③	EARTH SPRING	①	1	C5210 t=0.2	Under plating: Ni plating(MIN 1μm)/Contact area: Au plating(MIN 0.03μm) Soldering area: Au plating(MIN 0.03μm)
②	COVER	----	1	PA9T(BLACK)	UL 94V-0
①	HOUSING	----	1	PA9T(BLACK)	UL 94V-0
ITEM	PART NAME	TERMINAL	QTY	MATERIAL	REMARK

UNLESS OTHERWISE SPECIFIED, TOLERANCE ON DECIMAL: ±0.2

广东小迈实业有限公司

Website: <https://www.xmconn.com> TEL: 18938295888



PART NAME	φ3.5mm WATERPROOF JACK
PART NO.	DM35A008-05SP

TOLERANCE UNLESS OTHERWISE SPECIFIED:	
X	±0.2
X.X	±0.15
X.XX	±0.10
X.XXX	±0.050

DRAWING:	Li	DATE:	2023.08.18	SCALE	SHEET	REV: A0
CHECK:	Chen	DATE:	2023.08.18	1:1	1/1	SIZE: A4
APPROVAL:	Wen	DATE:	2023.08.18			