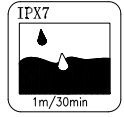
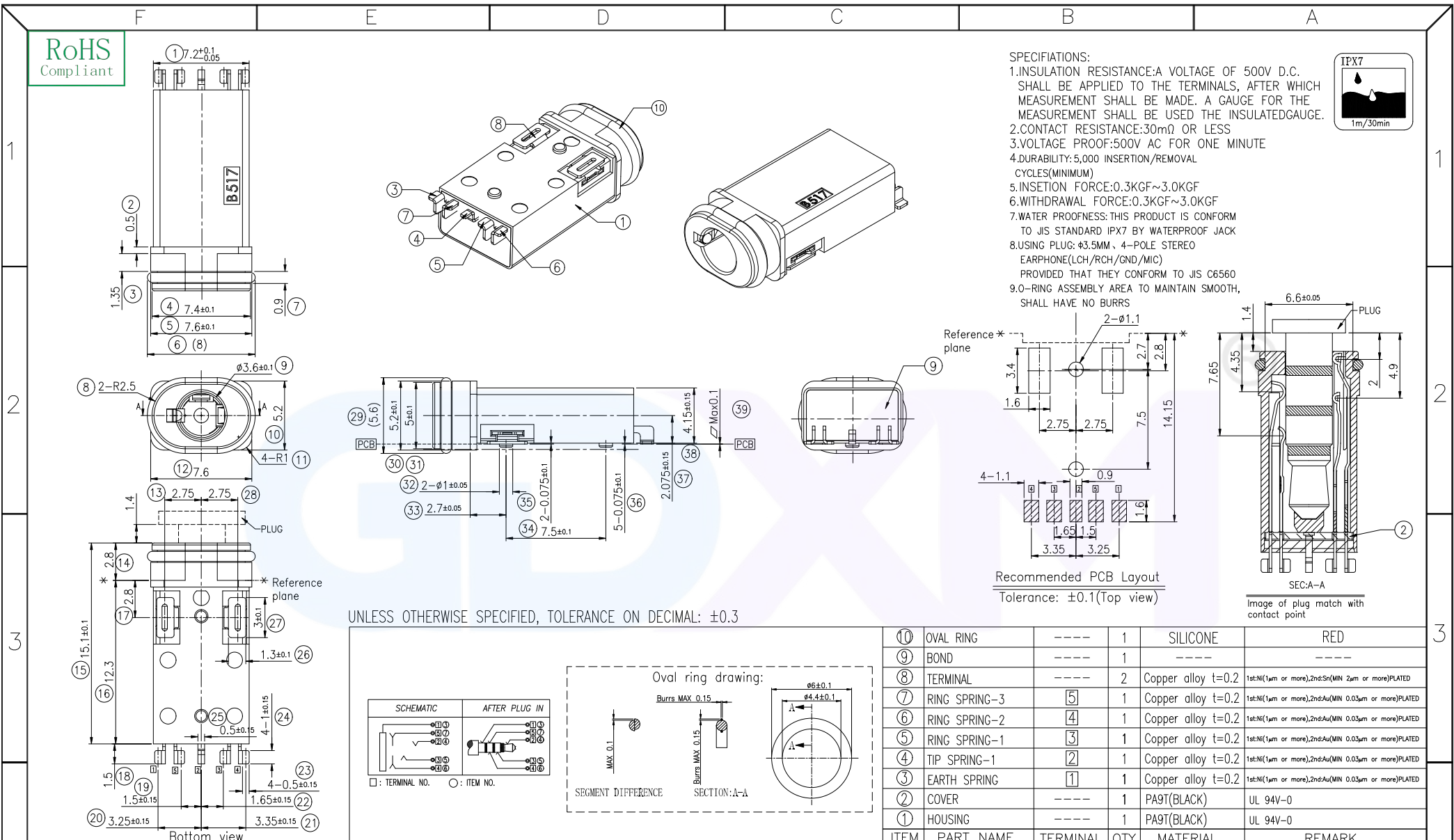


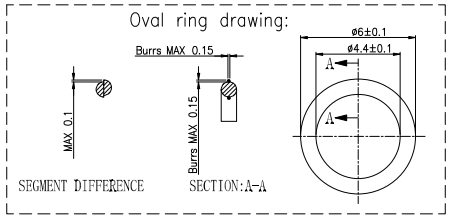
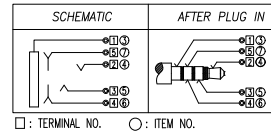
RoHS
Compliant



SPECIFICATIONS:
 1.INSULATION RESISTANCE:A VOLTAGE OF 500V D.C. SHALL BE APPLIED TO THE TERMINALS, AFTER WHICH MEASUREMENT SHALL BE MADE. A GAUGE FOR THE MEASUREMENT SHALL BE USED THE INSULATEDGAUGE.
 2.CONTACT RESISTANCE:30mΩ OR LESS
 3.VOLTAGE PROOF:500V AC FOR ONE MINUTE
 4.DURABILITY:5,000 INSERTION/REMOVAL CYCLES(MINIMUM)
 5.INSETION FORCE:0.3KGF~3.0KGF
 6.WITHDRAWAL FORCE:0.3KGF~3.0KGF
 7.WATER PROOFNESS:THIS PRODUCT IS CONFORM TO JIS STANDARD IPX7 BY WATERPROOF JACK
 8.USING PLUG: Ø3.5MM、4-POLE STEREO EARPHONE(LCH/RCH/GND/MIC)
 PROVIDED THAT THEY CONFORM TO JIS C6560
 9.0-RING ASSEMBLY AREA TO MAINTAIN SMOOTH, SHALL HAVE NO BURRS



UNLESS OTHERWISE SPECIFIED, TOLERANCE ON DECIMAL: ±0.3



10	OVAL RING	----	1	SILICONE	RED
9	BOND	----	1	----	----
8	TERMINAL	----	2	Copper alloy t=0.2	1st:Ni(1µm or more),2nd:Sn(MIN 2µm or more)PLATED
7	RING SPRING-3	5	1	Copper alloy t=0.2	1st:Ni(1µm or more),2nd:Sn(MIN 0.03µm or more)PLATED
6	RING SPRING-2	4	1	Copper alloy t=0.2	1st:Ni(1µm or more),2nd:Sn(MIN 0.03µm or more)PLATED
5	RING SPRING-1	3	1	Copper alloy t=0.2	1st:Ni(1µm or more),2nd:Sn(MIN 0.03µm or more)PLATED
4	TIP SPRING-1	2	1	Copper alloy t=0.2	1st:Ni(1µm or more),2nd:Sn(MIN 0.03µm or more)PLATED
3	EARTH SPRING	1	1	Copper alloy t=0.2	1st:Ni(1µm or more),2nd:Sn(MIN 0.03µm or more)PLATED
2	COVER	----	1	PA9T(BLACK)	UL 94V-0
1	HOUSING	----	1	PA9T(BLACK)	UL 94V-0
ITEM	PART NAME	TERMINAL	QTY	MATERIAL	REMARK

广东小迈实业有限公司

Website: <https://www.xmconn.com> TEL: 18938295888



PART NAME: 3.5mm WATERPROOF JACK
 PART NO.: DM35A006-07SP

TOLERANCE UNLESS OTHERWISE SPECIFIED:
 X ±0.2
 X.X ±0.15
 X.XX ±0.10
 X.XXX ±0.050

DRAWING: Li DATE: 2023.08.18 SCALE: SHEET REV: A0
 CHECK: Chen DATE: 2023.08.18 1:1 1/1 SIZE: A4
 APPROVAL: Wen DATE: 2023.08.18

4

4

F E D C B A