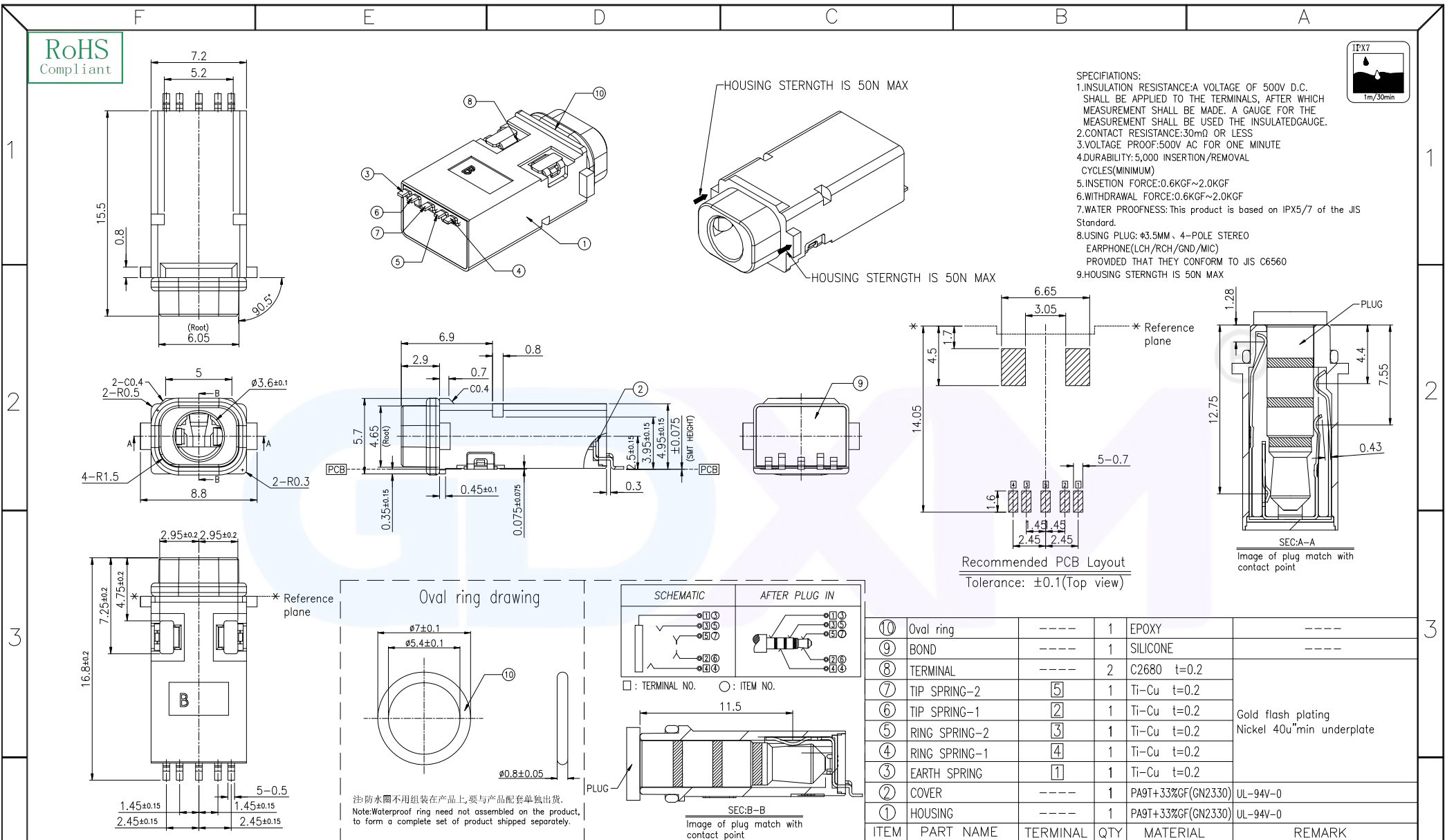


RoHS  
Compliant



- SPECIFICATIONS:
- INSULATION RESISTANCE: A VOLTAGE OF 500V D.C. SHALL BE APPLIED TO THE TERMINALS, AFTER WHICH MEASUREMENT SHALL BE MADE. A GAUGE FOR THE MEASUREMENT SHALL BE USED THE INSULATED GAUGE.
  - CONTACT RESISTANCE: 30mΩ OR LESS
  - VOLTAGE PROOF: 500V AC FOR ONE MINUTE
  - DURABILITY: 5,000 INSERTION/REMOVAL CYCLES (MINIMUM)
  - INSERTION FORCE: 0.6KGF~2.0KGF
  - WITHDRAWAL FORCE: 0.6KGF~2.0KGF
  - WATER PROOFNESS: This product is based on IPX5/7 of the JIS Standard.
  - USING PLUG: φ3.5MM、4-POLE STEREO EARPHONE(LCH/RCH/GND/MIC) PROVIDED THAT THEY CONFORM TO JIS C6560
  - HOUSING STRENGTH IS 50N MAX



ITEM	PART NAME	TERMINAL	QTY	MATERIAL	REMARK
10	Oval ring	----	1	EPOXY	----
9	BOND	----	1	SILICONE	----
8	TERMINAL	----	2	C2680 t=0.2	----
7	TIP SPRING-2	5	1	Ti-Cu t=0.2	Gold flash plating Nickel 40u"min underplate
6	TIP SPRING-1	2	1	Ti-Cu t=0.2	
5	RING SPRING-2	3	1	Ti-Cu t=0.2	
4	RING SPRING-1	4	1	Ti-Cu t=0.2	
3	EARTH SPRING	1	1	Ti-Cu t=0.2	
2	COVER	----	1	PA9T+33%GF(GN2330)	UL-94V-0
1	HOUSING	----	1	PA9T+33%GF(GN2330)	UL-94V-0

广东小迈实业有限公司

Website: <https://www.xmconn.com> TEL: 18938295888



PART NAME	φ3.5mm WATERPROOF JACK
PART NO.	DM35A005-07SP

TOLERANCE UNLESS OTHERWISE SPECIFIED:	
X	±0.2
X.X	±0.15
X.XX	±0.10
X.XXX	±0.050

DRAWING:	Li	DATE:	2023.08.18	SCALE	SHEET	REV:	A0
CHECK:	Chen	DATE:	2023.08.18	1:1	1/1	SIZE:	A4
APPROVAL:	Wen	DATE:	2023.08.18				