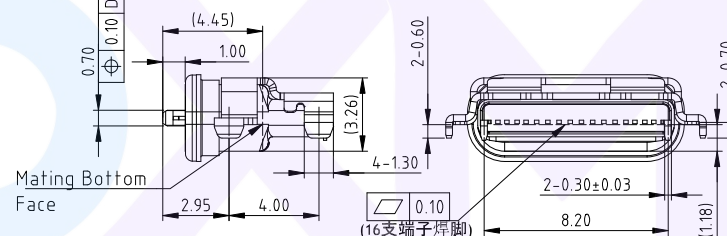
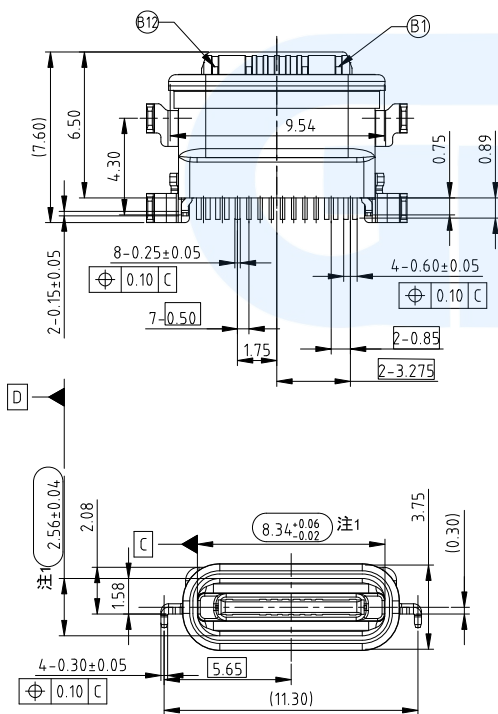


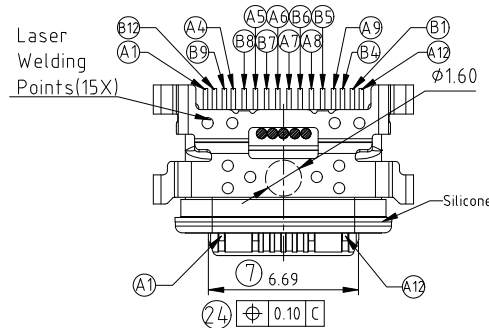
NOTES:  
SPECIFICATION:

1. CURRENT RATING: 3.0A MAX
2. VOLTAGE: 100 VAC
3. TEMPERATURE RANGE: -30 °C ~ 85 °C
4. CONTACT RESISTANCE: 40 MILLIONHM MAX
5. INSULATION RESISTANCE: 100 MEGOHMS MIN.
6. INSERTION FORCE : 5N~20N
7. UNMATING FORCE: 8N~20N
8. DURABILITY: 10,000 CYCLES



Pin Assignments

| Contact Number | Signal Name | Contact Number | Signal Name |
|----------------|-------------|----------------|-------------|
| A1             | GND         | B12            | GND         |
| A4             | VBUS        | B9             | VBUS        |
| A5             | CC1         | B8             | SBU2        |
| A6             | Dp1         | B7             | Dn2         |
| A7             | Dn1         | B6             | Dp2         |
| A8             | SBU1        | B5             | CC2         |
| A9             | VBUS        | B4             | VBUS        |
| A12            | GND         | B1             | GND         |



| NO. | DESCRIPTION  | MATERIAL                 | REMARKS      | QTY  |
|-----|--------------|--------------------------|--------------|------|
| 10  | SHELL-2      | STAINLESS STEEL          | Ni Plated    | 1PCS |
| 9   | LIM          | SILICA GEL               | BLACK        | 1PCS |
| 8   | TOP SHELL    | STAINLESS STEEL          | Ti/Ni Plated | 1PCS |
| 7   | SHELL        | STAINLESS STEEL          | Ni Plated    | 1PCS |
| 6   | OVER MOLDING | HIGH TEMPERATURE PLASTIC | BLACK        | 1PCS |
| 5   | TOP I/M      | HIGH TEMPERATURE PLASTIC | BLACK        | 1PCS |
| 4   | BOTTOM I/M   | HIGH TEMPERATURE PLASTIC | BLACK        | 1PCS |
| 3   | MID PLATE    | STAINLESS STEEL          | Ti/Ni Plated | 1PCS |
| 2   | CONTACT      | COPPER ALLOY             | Au/Ni Plated | 1SET |
| 1   | CONTACT      | COPPER ALLOY             | Au/Ni Plated | 1SET |

注1: "C"表示CPK尺寸

广东小迈实业有限公司

Website:

<https://www.xmconn.com>

TEL:

18938295888



PART NAME

USB Type-C 母 16pin 防水型,  
IPX7, 沉板1.18, 外露1.0

PART NO.

DM68012-16FBAP-A

TOLERANCE UNLESS OTHERWISE SPECIFIED:

X ±0.2  
X.X ±0.15  
X.XX ±0.10  
X.XXX ±0.050

DRAWING:

Li

DATE:

2023.08.18

SCALE

SHEET

REV: A0

CHECK:

Chen

DATE:

2023.08.18

1:1

1/1

SIZE: A4

APPROVAL:

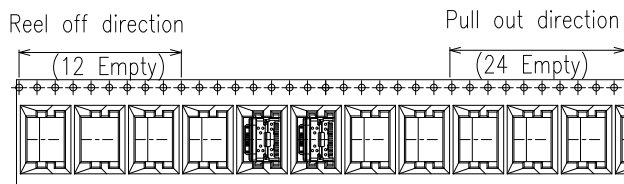
Wen

DATE:

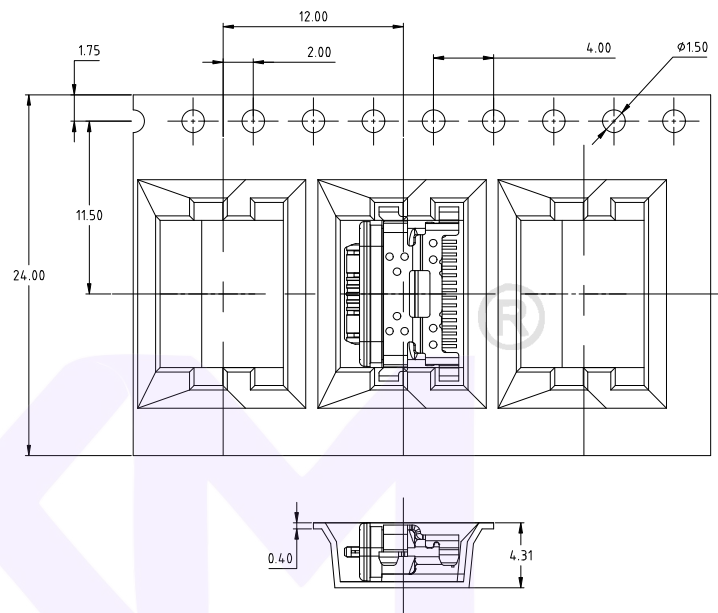
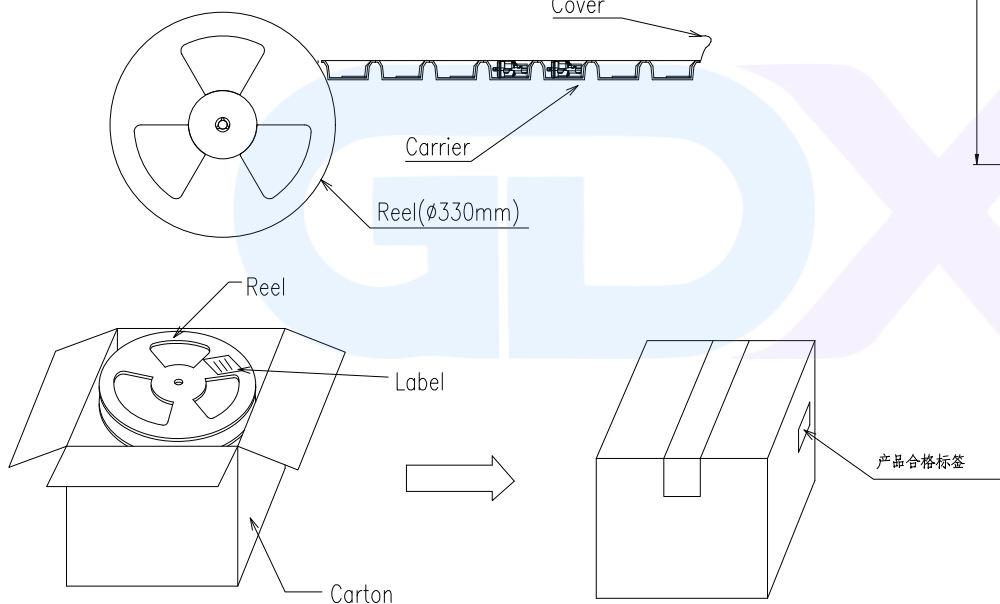
2023.08.18



RoHS  
Compliant



Reel off direction  
(12 Empty)  
Pull out direction  
(24 Empty)



NOTES:  
1. 载带材质: PET 透明  
2. 包装内容: SEE TABLE A

TABLE A :

| PART NAME    | PART NUMBER         | PCS/ REEL | REEL/CARTON | QTY/CARTON | CARTON SIZE/MM |
|--------------|---------------------|-----------|-------------|------------|----------------|
| TYPE C 16PIN | XZ-U323104-X191-181 | 1500      | 10 REEL     | 15000 PCS  | 345*345*320    |

广东小迈实业有限公司

Website:

<https://www.xmconn.com>

TEL:

18938295888



PART NAME

USB Type-C 母 16pin 沉板1.18 防水型

PART NO.

DM68012-16FBAP-A

TOLERANCE UNLESS  
OTHERWISE SPECIFIED:  
X ±0.2  
X.X ±0.15  
X.XX ±0.10  
X.XXX ±0.050

DRAWING:

Li

DATE:

2023.08.18

SCALE

SHEET

REV: A0

CHECK:

Chen

DATE:

2023.08.18

1:1

1/1

SIZE: A4

APPROVAL:

Wen

DATE:

2023.08.18

