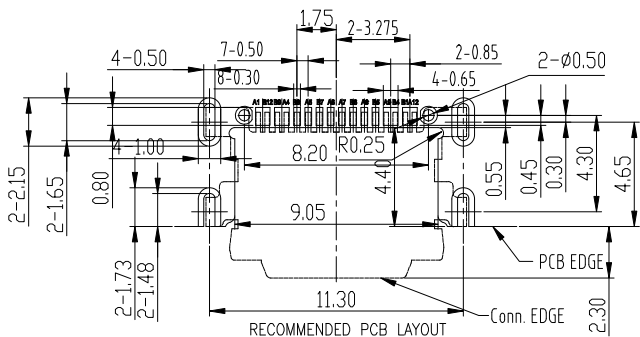
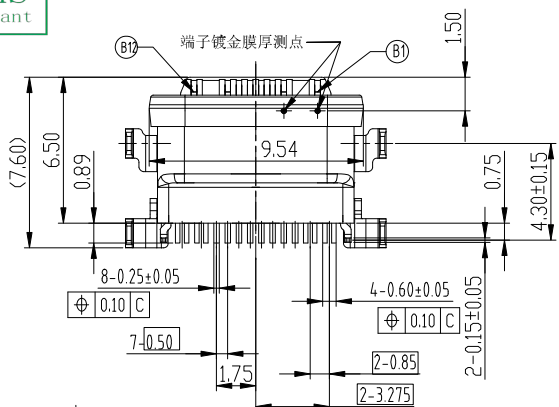


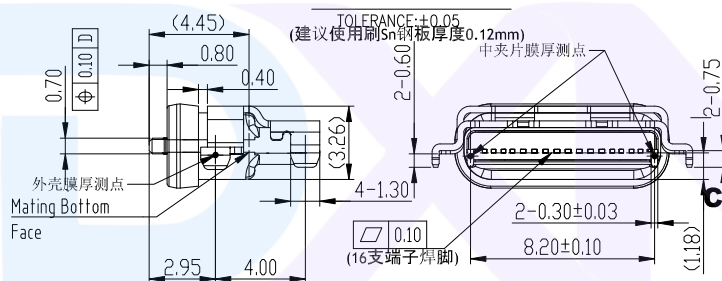
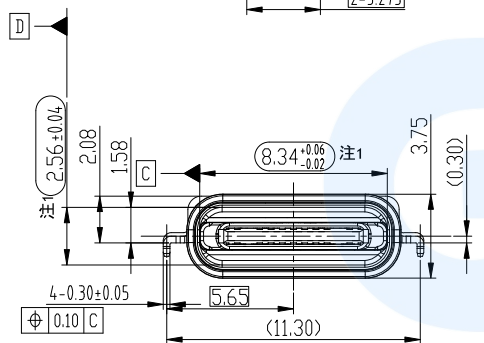
RoHS  
Compliant



NOTES:

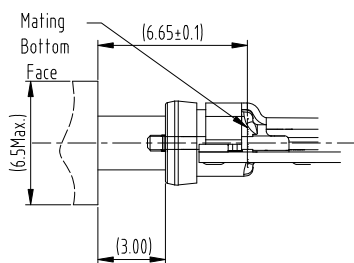
SPECIFICATION:

1. CURRENT RATING: 3.0A MAX
2. VOLTAGE: 100 VAC
3. TEMPERATURE RANGE: -30 °C ~ 85 °C
4. CONTACT RESISTANCE: 40 MILLIONHM MAX
5. INSULATION RESISTANCE: 100 MEGOHMS MIN.
6. INSERTION FORCE : 5N~20N
7. UNMATING FORCE: 8N~20N
8. DURABILITY: 10,000 CYCLES

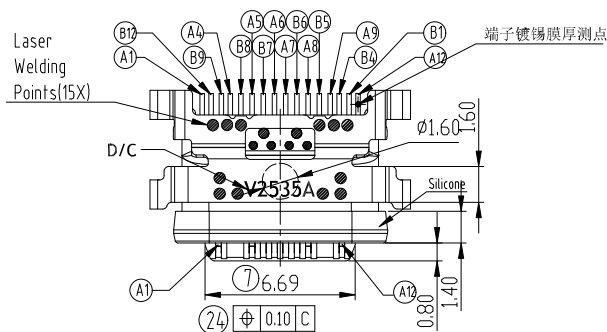


Pin Assignments

Contact Number	Signal Name	Contact Number	Signal Name
A1	GND	B12	GND
A4	VBUS	B9	VBUS
A5	CC1	B8	SBU2
A6	Dp1	B7	Dn2
A7	Dn1	B6	Dp2
A8	SBU1	B5	CC2
A9	VBUS	B4	VBUS
A12	GND	B1	GND



Mated Condition(REF.)



注1: "C"表示CPK尺寸

广东小迈实业有限公司

Website:

<https://www.xmconn.com>

TEL:

18938295888



PART NAME

USB Type-C 母 16pin 防水型,  
IPX7, 沉板1.13, 外露0.8

PART NO.

DM68011-16FBAP-A

TOLERANCE UNLESS OTHERWISE SPECIFIED:

X ±0.2  
X.X ±0.15  
X.XX ±0.10  
X.XXX ±0.050

DRAWING:

Li

DATE:

2023.08.18

CHECK:

Chen

DATE:

2023.08.18

APPROVAL:

Wen

DATE:

2023.08.18

SCALE

1:1

SHEET

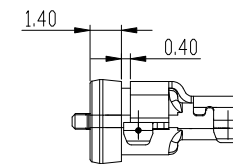
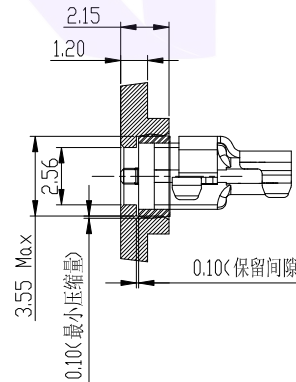
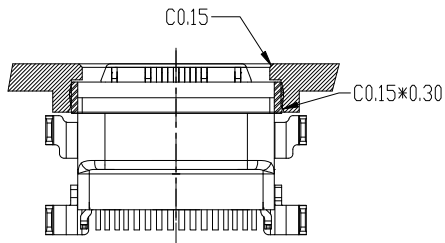
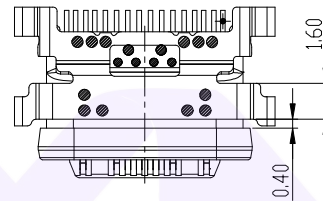
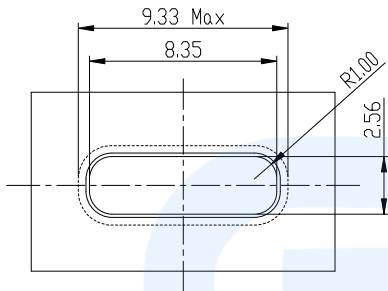
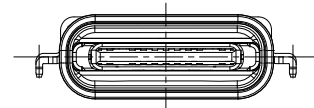
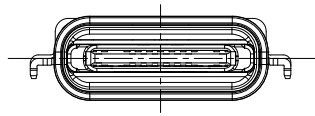
1/1

REV: A0

SIZE: A4



RoHS  
Compliant



广东小迈实业有限公司

Website:

<https://www.xmconn.com>

TEL:

18938295888



PART NAME

USB Type-C 母 16pin 防水型,  
IPX7, 沉板1.13, 外露0.8

PART NO.

DM68011-16FBAP-A

TOLERANCE UNLESS  
OTHERWISE SPECIFIED:

X ±0.2  
X.X ±0.15  
X.XX ±0.10  
X.XXX ±0.050

DRAWING:

Li

DATE:

2023.08.18

CHECK:

Chen

DATE:

2023.08.18

APPROVAL:

Wen

DATE:

2023.08.18

SCALE

1:1

SHEET

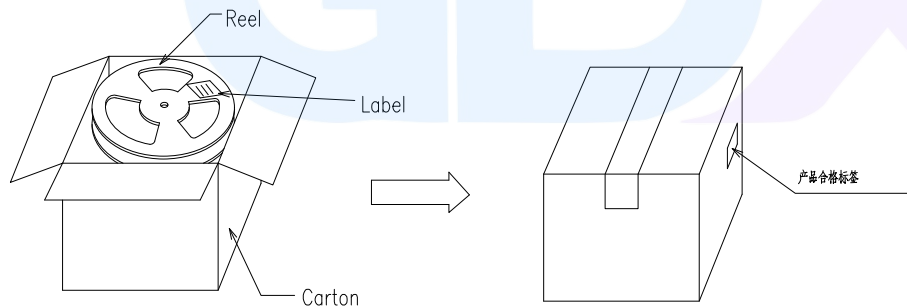
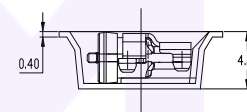
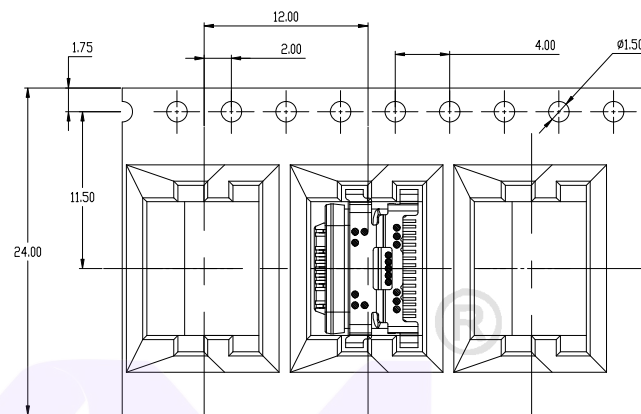
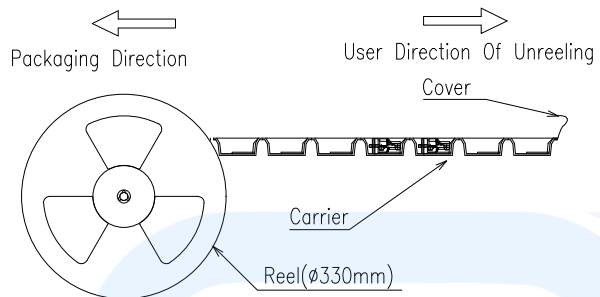
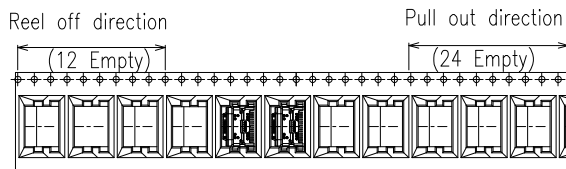
1/1

REV: A0

SIZE: A4



RoHS  
Compliant



NOTES:

1. 载带材质: PET 透明
2. 包装内容: SEE TABLE A

TABLE A :

PART NAME	PART NUMBER	PCS/ REEL	REEL/CARTON	QTY/CARTON	CARTON SIZE/MM
TYPE C 16PIN	X181	1300	11 REEL	14300 PCS	345*345*320

广东小迈实业有限公司

Website:

<https://www.xmconn.com>

TEL:

18938295888



PART NAME

USB Type-C 母 16pin 沉板1.18 防水型

PART NO.

DM68011-16FBAP-A

TOLERANCE UNLESS OTHERWISE SPECIFIED:  
X ±0.2  
X.X ±0.15  
X.XX ±0.10  
X.XXX ±0.050

DRAWING:

Li

DATE:

2023.08.18

SCALE

SHEET

REV: A0

CHECK:

Chen

DATE:

2023.08.18

1:1

1/1

SIZE: A4

APPROVAL:

Wen

DATE:

2023.08.18



F

E

D

C

B

A