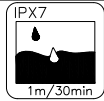


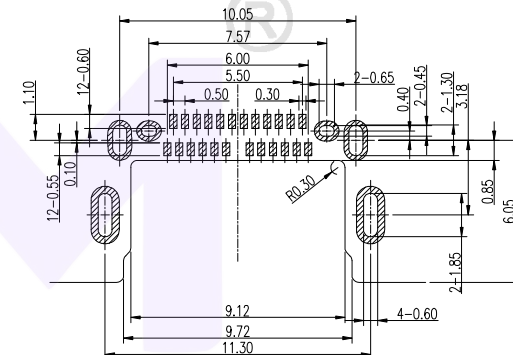
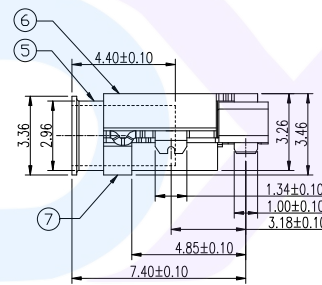
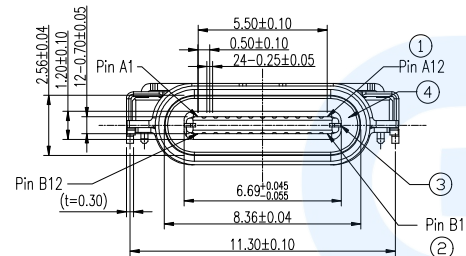
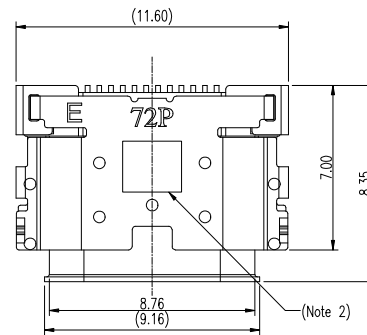
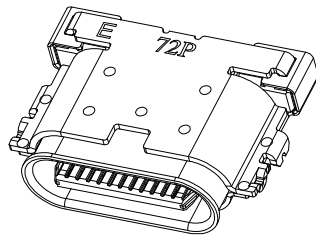
RoHS
Compliant



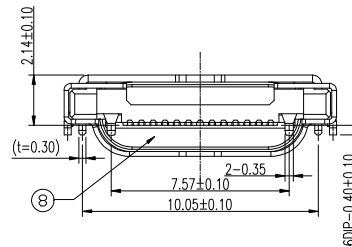
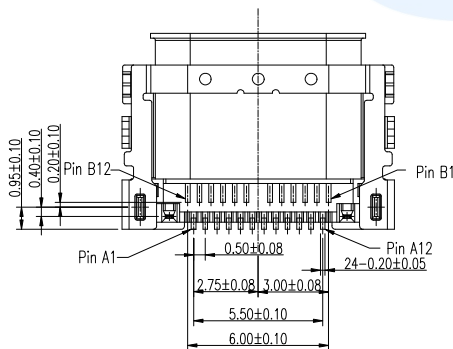
NOTES:

SPECIFICATION:

1. CURRENT RATING: 5.0A MAX
2. VOLTAGE: 100 VAC
3. TEMPERATURE RANGE: -30 °C ~ 85 °C
4. CONTACT RESISTANCE: 40 MILLIONHM MAX
5. INSULATION RESISTANCE: 100 MEGOHMS MIN.
6. INSERTION FORCE : 5N~20N
7. UNMATING FORCE: 8N~20N
8. DURABILITY: 10,000 CYCLES



RECOMMENDED P.C.B. LAYOUT



Pin	Name	Pin	Name
A1	GND	B12	GND
A2	SSTXp1	B11	SSRXp1
A3	SSTXn1	B10	SSRXn1
A4	VBUS	B9	VBUS
A5	CC1	B8	SBU2
A6	Dp1	B7	Dn2
A7	Dn1	B6	Dp2
A8	SBU1	B5	CC2
A9	VBUS	B4	VBUS
A10	SSRXn2	B3	SSTXn2
A11	SSRXp2	B2	SSTXp2
A12	GND	B1	GND

NO.	DESCRIPTION	MATERIAL	REMARKS	QTY
8	POTTING	SILICONE	-	1PCS
7	COVER BOTTOM-SHELL	STAINLESS STEEL	Ni Plated	1PCS
6	COVER TOP-SHELL	STAINLESS STEEL	Ni Plated	1PCS
5	SHELL	STAINLESS STEEL	Ni Plated	1PCS
4	INSULATOR	HIGH TEMPERATURE PLASTIC	BLACK	1PCS
3	MID PLATE	STAINLESS STEEL	Ni Plated	1PCS
2	CONTACT-B	COPPER ALLOY	Au/Ni Plated	1SET
1	CONTACT-A	COPPER ALLOY	Au/Ni Plated	1SET

广东小迈实业有限公司

Website:

<https://www.xmconn.com>

TEL:

18938295888



PART NAME

USB C TYPE 24PIN WP CH=0.36mm REC.CONN.

PART NO.

DM68009-24F BAP-A

TOLERANCE UNLESS OTHERWISE SPECIFIED:

X ±0.2
X.X ±0.15
X.XX ±0.10
X.XXX ±0.050

DRAWING:

Li

DATE:

2023.08.18

SCALE

SHEET

REV: A0

CHECK:

Chen

DATE:

2023.08.18

1:1

1/1

SIZE: A4

APPROVAL:

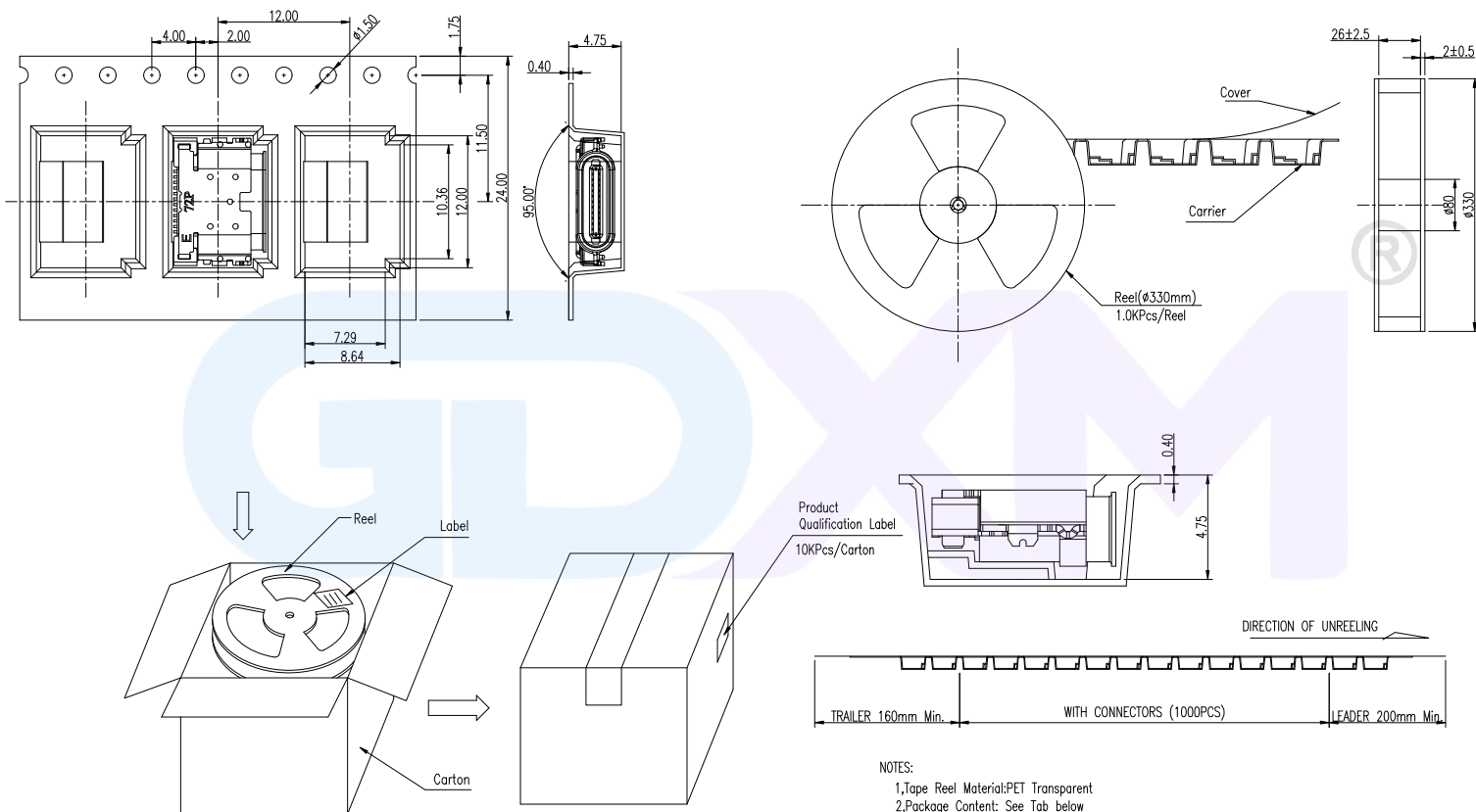
Wen

DATE:

2023.08.18



RoHS
Compliant



NOTES:
1, Tape Reel Material: PET Transparent
2, Package Content: See Tab below

广东小迈实业有限公司

Website:

<https://www.xmconn.com>

TEL:

18938295888



PART NAME

USB C TYPE 24PIN WP CH=0.36mm REC.CONN.

PART NO.

DM68009-24FBAP-A 包装规范

TOLERANCE UNLESS
OTHERWISE SPECIFIED:

X ±0.2
X.X ±0.15
X.XX ±0.10
X.XXX ±0.050

DRAWING:

Li

DATE:

2023.08.18

CHECK:

Chen

DATE:

2023.08.18

APPROVAL:

Wen

DATE:

2023.08.18

SCALE

1:1

SHEET

1/1

REV: A0

SIZE: A4

