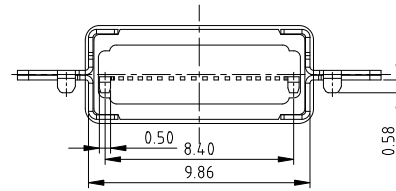
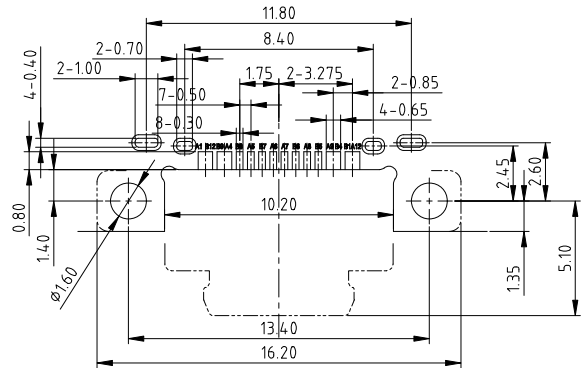


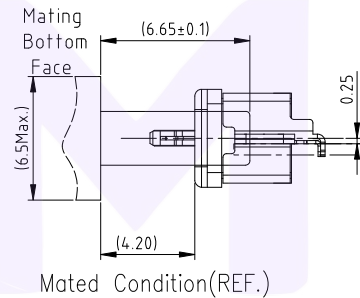
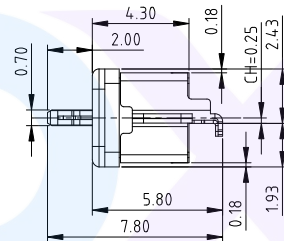
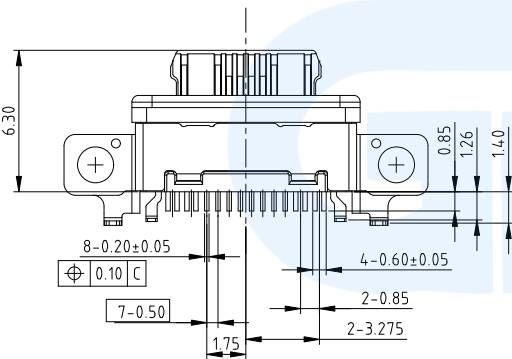
RoHS
Compliant



NOTES:

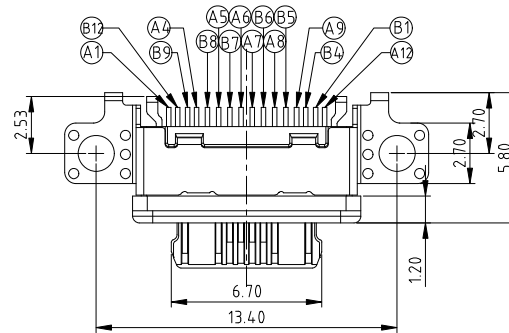
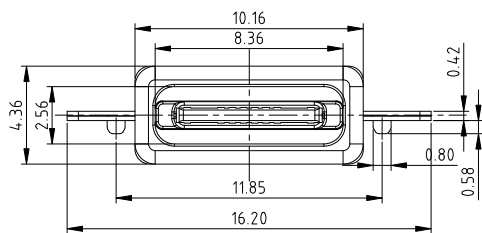
SPECIFICATION:

1. CURRENT RATING: 3.0A MAX
2. VOLTAGE: 100 VAC
3. TEMPERATURE RANGE: $-30\text{ }^{\circ}\text{C} \sim 85\text{ }^{\circ}\text{C}$
4. CONTACT RESISTANCE: 40 MILLIONHM MAX
5. INSULATION RESISTANCE: 100 MEGOHMS MIN.
6. INSERTION FORCE : 5N~20N
7. UNMATING FORCE: 8N~20N
8. DURABILITY: 10,000 CYCLES



Pin Assignments

Contact Number	Signal Name	Contact Number	Signal Name
A1	GND	B12	GND
A4	VBUS	B9	VBUS
A5	CC1	B8	SBU2
A6	Dp1	B7	Dn2
A7	Dn1	B6	Dp2
A8	SBU1	B5	CC2
A9	VBUS	B4	VBUS
A12	GND	B1	GND



注1: "○"表示CPK尺寸

NO.	DESCRIPTION	MATERIAL	REMARKS	QTY
11	GLUE	HYBRID EPOXY	BLACK	1PCS
10	O-RING	SILICA GEL	RED	1PCS
9	TOP SHELL	STAINLESS STEEL	Au/Ni Plated	1PCS
8	BOTTOM SHELL	STAINLESS STEEL	Ni Plated	1PCS
7	PLASTIC SHELL	HIGH TEMPERATURE PLASTIC	BLACK	1PCS
6	OVER MOLDING	HIGH TEMPERATURE PLASTIC	BLACK	1PCS
5	TOP I/M	HIGH TEMPERATURE PLASTIC	BLACK	1PCS
4	BOTTOM I/M	HIGH TEMPERATURE PLASTIC	BLACK	1PCS
3	MID PLATE	STAINLESS STEEL	Ti/Ni Plated	1PCS
2	CONTACT-B	COPPER ALLOY	Au/Ni Plated	1SET
1	CONTACT-A	COPPER ALLOY	Au/Ni Plated	1SET

广东小迈实业有限公司

Website:

<https://www.xmconn.com>

TEL:

18938295888



PART NAME

USB Type-C 16pin 沉板1.93 舌片外露2.0防水型成品 (Mi11 PRO 1/0)

PART NO.

DM68007-16FBAP-B

TOLERANCE UNLESS OTHERWISE SPECIFIED:

X ±0.2
X.X ±0.15
X.XX ±0.10
X.XXX ±0.050

DRAWING:

Li

DATE:

2023.08.18

SCALE

SHEET

REV: A0

CHECK:

Chen

DATE:

2023.08.18

1:1

1/1

SIZE: A4

APPROVAL:

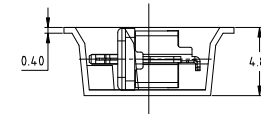
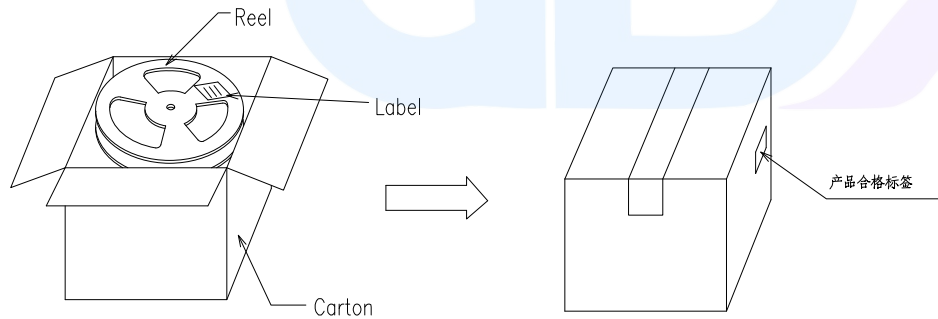
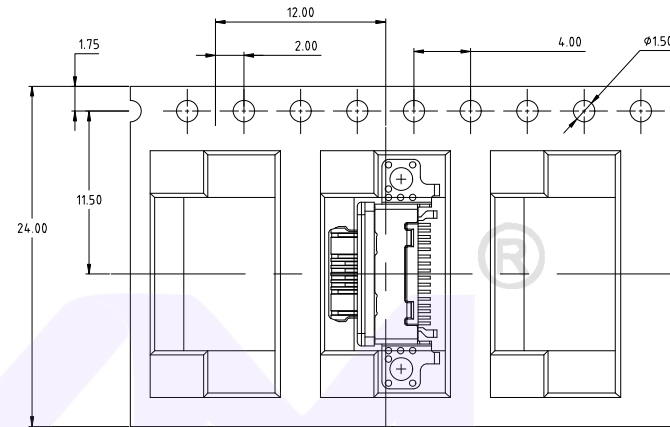
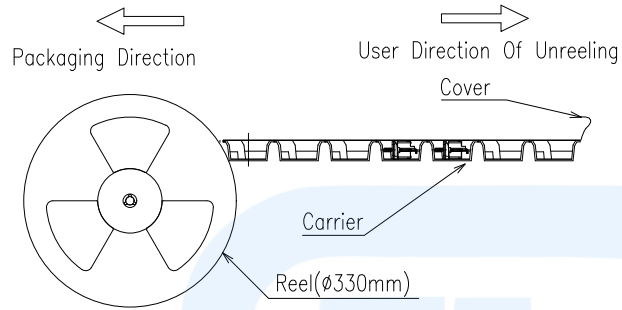
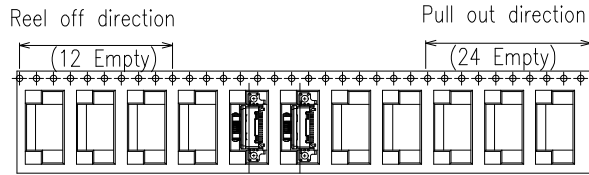
Wen

DATE:

2023.08.18



RoHS
Compliant



NOTES:
1. 载带材质: PET 透明
2. 包装内容: SEE TABLE A

TABLE A :

PART NAME	PART NUMBER	PCS/ REEL	REEL/CARTON	QTY/CARTON	CARTON SIZE/MM
TYPE C 16PIN	Mi11P	900	10 REEL	9000 PCS	345*345*320

广东小迈实业有限公司

Website: <https://www.xmconn.com> TEL: 18938295888



PART NAME	USB Type-C 16pin 沉板1.93 舌片外露2.0防水型成品 (Mi11 P20 I/O)
PART NO.	DM68007-16FBAP-B

TOLERANCE UNLESS OTHERWISE SPECIFIED:
X ±0.2
X.X ±0.15
X.XX ±0.10
X.XXX ±0.050

DRAWING:	Li	DATE:	2023.08.18	SCALE	SHEET	REV: A0
CHECK:	Chen	DATE:	2023.08.18	1:1	1/1	SIZE: A4
APPROVAL:	Wen	DATE:	2023.08.18			