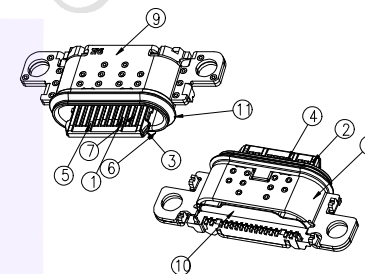
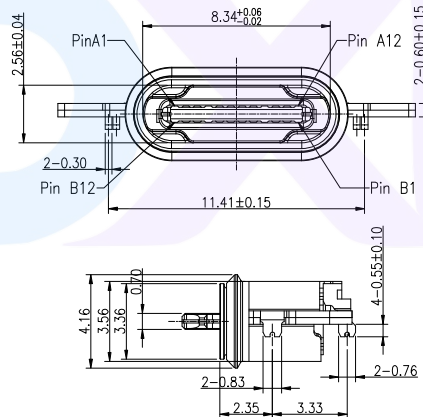
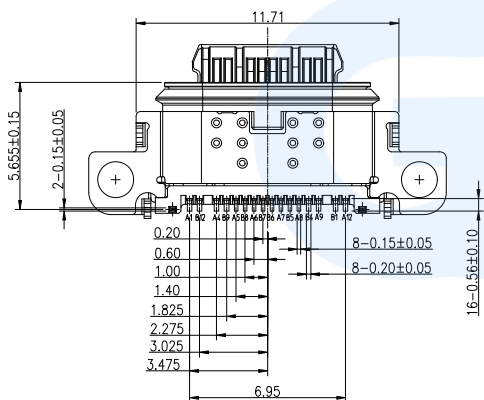


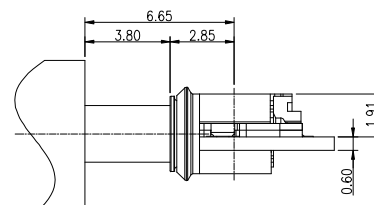
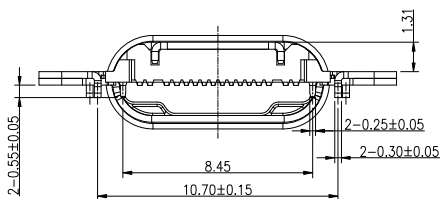
NOTES:

SPECIFICATION:

1. CURRENT RATING: 6.0A MAX
2. VOLTAGE: 100 VAC
3. TEMPERATURE RANGE: -30 °C ~ 85 °C
4. CONTACT RESISTANCE: 40 MILLIONHM MAX
5. INSULATION RESISTANCE: 100 MEGOHMS MIN.
6. INSERTION FORCE : 5N~20N
7. UNMATING FORCE: 8N~20N
8. DURABILITY: 10,000 CYCLES



A1	A2	A3	A4	A5	A6	A7	A8	A9	A10	A11	A12
GND		Vbus	CC1	D+	D-	SBU1	Vbus				GND
GND		Vbus	SBU2	D-	D+	CC2	Vbus				GND
B2	B11	B10	B9	B8	B7	B6	B5	B4	B3	B2	B1



11	GASKET	SILICONE	BLACK/GRAY	1PCS
10	POTTING	SILICONE	BLACK	1PCS
9	UPPER SHELL	STAINLESS STEEL	Ni Plated	1PCS
8	LOWER SHELL	STAINLESS STEEL	Ni Plated	1PCS
7	MAIN SHELL	STAINLESS STEEL	Cleansing	1PCS
6	OVER MOLDING	HIGH TEMPERATURE PLASTIC	BLACK	1PCS
5	TOP 1/M	HIGH TEMPERATURE PLASTIC	BLACK	1PCS
4	BOTTOM 1/M	HIGH TEMPERATURE PLASTIC	BLACK	1PCS
3	MID PLATE	STAINLESS STEEL	Ti/Ni Plated	1PCS
2	CONTACT-B	COPPER ALLOY	Au/Ni Plated	1SET
1	CONTACT-A	COPPER ALLOY	Au/Ni Plated	1SET
NO.	DESCRIPTION	MATERIAL	REMARKS	QTY

广东小迈实业有限公司

Website:

<https://www.xmconn.com>

TEL:

18938295888



PART NAME

USB C TYPE 16PIN REC. CL=0.12mm

PART NO.

DM68004-16SBAP-B

TOLERANCE UNLESS OTHERWISE SPECIFIED:

X ±0.2
X.X ±0.15
X.XX ±0.10
X.XXX ±0.050

DRAWING:

Li

DATE:

2023.08.18

CHECK:

Chen

DATE:

2023.08.18

APPROVAL:

Wen

DATE:

2023.08.18

SCALE

1:1

SHEET

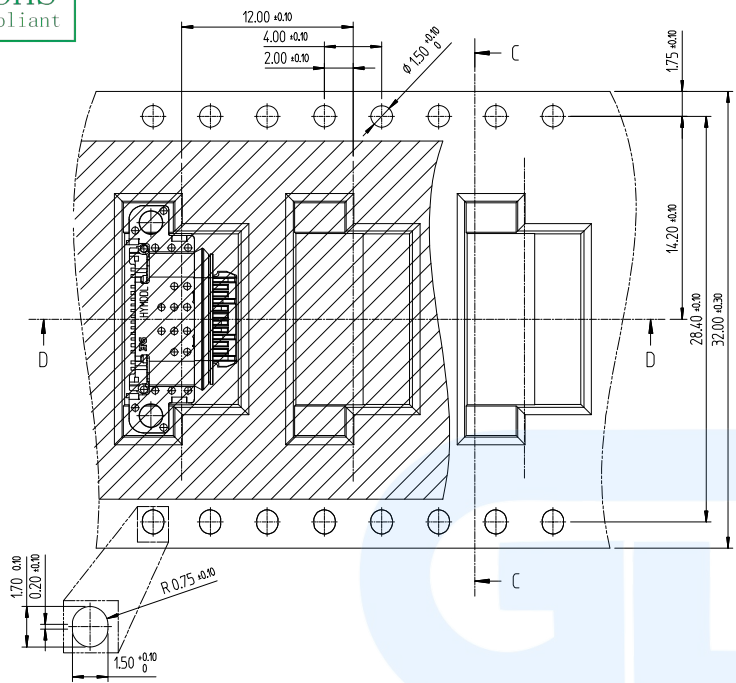
1/1

REV: A0

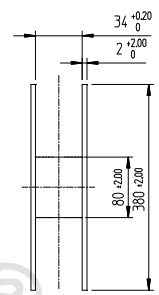
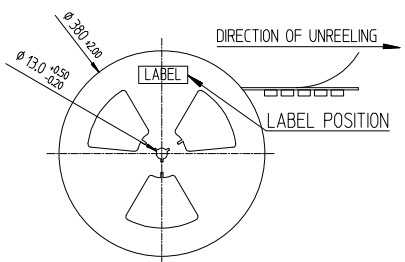
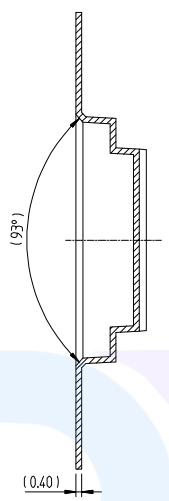
SIZE: A4

RoHS
Compliant

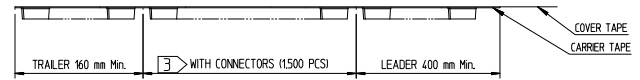
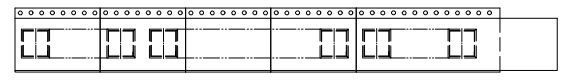
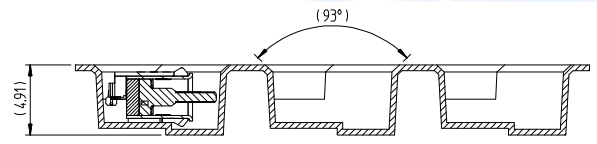
DIRECTION OF UNREELING →



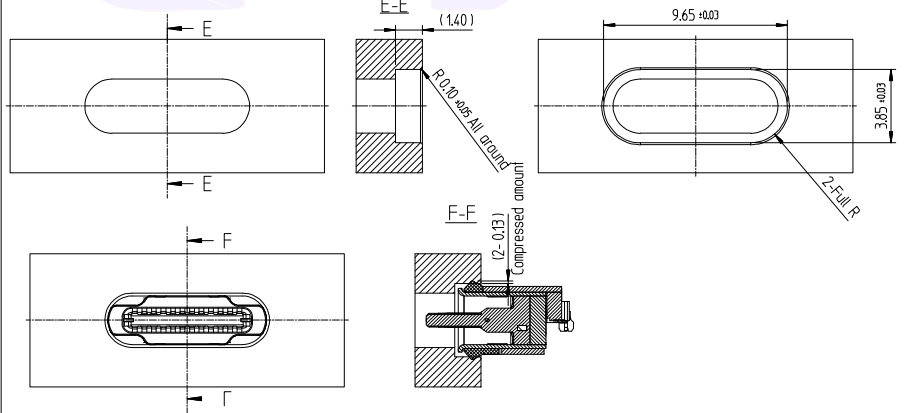
C-C



D-D



Recommended chassis design
(Mating partial with Gasket)



广东小迈实业有限公司

Website:

<https://www.xmconn.com>

TEL:

18938295888



PART NAME

USB C TYPE 16PIN REC. CL=0.12mm

PART NO.

DM68004-16SBAP-B

TOLERANCE UNLESS OTHERWISE SPECIFIED:

X ±0.2
X.X ±0.15
X.XX ±0.10
X.XXX ±0.050

DRAWING:

Li

DATE:

2023.08.18

SCALE

SHEET

REV: A0

CHECK:

Chen

DATE:

2023.08.18

1:1

1/1

SIZE: A4

APPROVAL:

Wen

DATE:

2023.08.18



F

E

D

C

B

A