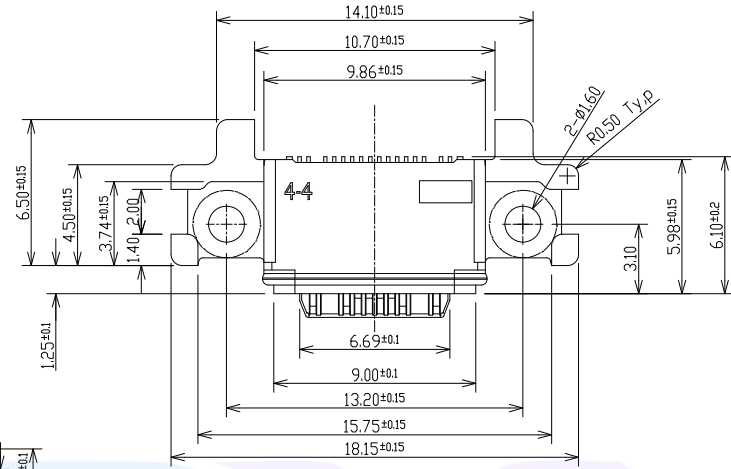
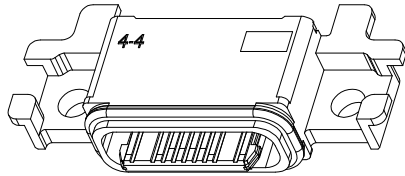
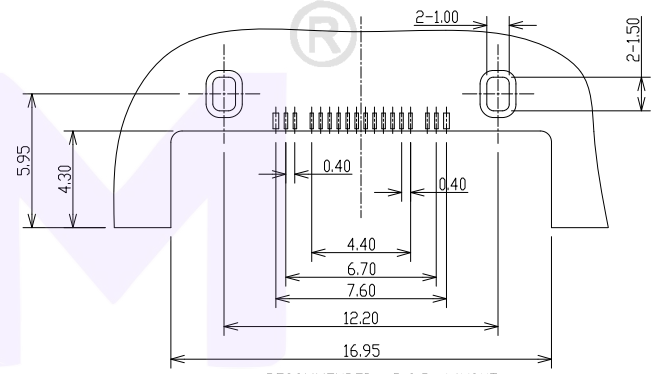
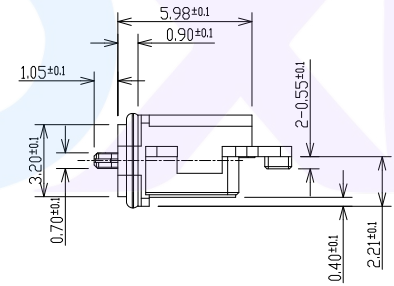
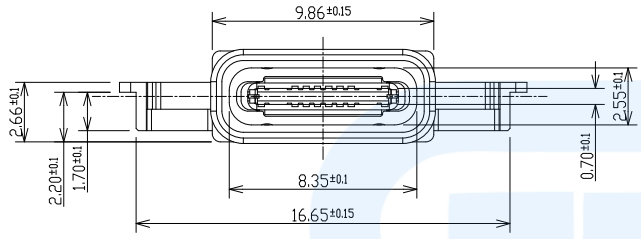


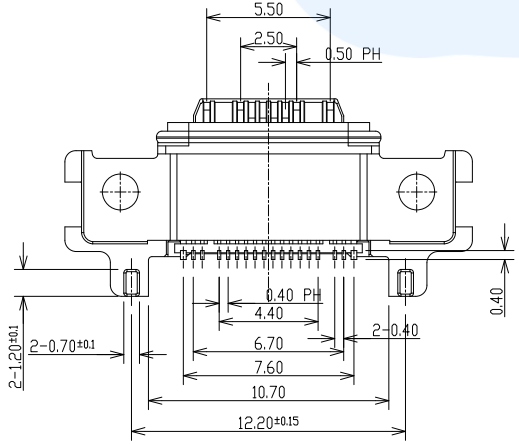
RoHS
Compliant



- NOTES:
SPECIFICATION:
- CURRENT RATING: 3.0A MAX
 - VOLTAGE: 100 VAC
 - TEMPERATURE RANGE: -30 °C ~ 85 °C
 - CONTACT RESISTANCE: 40 MILLIONHM MAX
 - INSULATION RESISTANCE: 100 MEGOHMS MIN.
 - INSERTION FORCE : 5N~20N
 - UNMATING FORCE: 8N~20N
 - DURABILITY: 10,000 CYCLES



RECOMMENDED P.C.B. LAYOUT
TOLERANCE UNSPECIFIED ±0.05mm



A1	GND	B12	GND	6	LIM	SILICON RUBBER		1PCS
A4	VBUS	B9	VBUS	5	SHELL	STAINLESS STEEL	Ni Plated	1PCS
A5	CC1	B8	SBU2	4	MD	HIGH TEMPERATURE PLASTIC	BLACK	1PCS
A6	DP1	B7	DN2	3	CONTACT	COPPER ALLOY	Au/Ni Plated	1SET
A7	DN1	B6	DP2	2	CONTACT	COPPER ALLOY	Au/Ni Plated	1SET
A8	SBU1	B5	CC2	1	HOUSING	HIGH TEMPERATURE PLASTIC	BLACK	1PCS
A9	VBUS	B4	VBUS					
A12	GND	B1	GND					
PIN	SIGNAL NAME	PIN	SIGNAL NAME	NO.	DESCRIPTION	MATERIAL	REMARKS	QTY

广东小迈实业有限公司

Website: <https://www.xmconn.com> TEL: 18938295888



PART NAME: USB C F TYPE 防水型单排SMT 沉板2.20 CONN.
PART NO.: DM68003-16SBAP-B

TOLERANCE UNLESS OTHERWISE SPECIFIED:
X ±0.2
X.X ±0.15
X.XX ±0.10
X.XXX ±0.050

DRAWING:	Li	DATE:	2023.08.18	SCALE:		SHEET:		REV: A0
CHECK:	Chen	DATE:	2023.08.18	1:1	1/1	SIZE:	A4	
APPROVAL:	Wen	DATE:	2023.08.18					