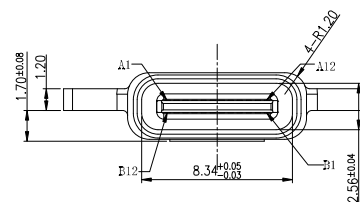
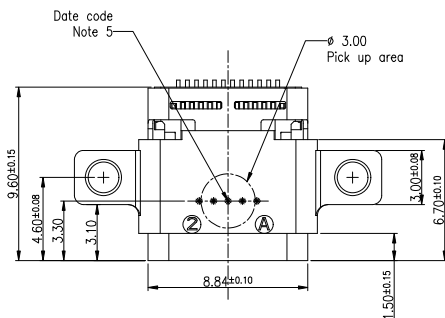
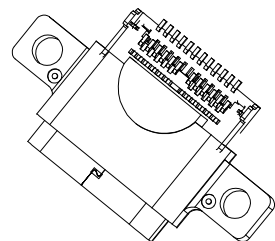
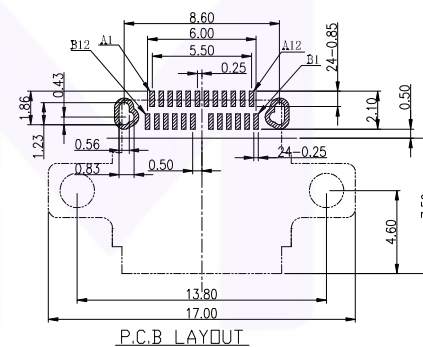
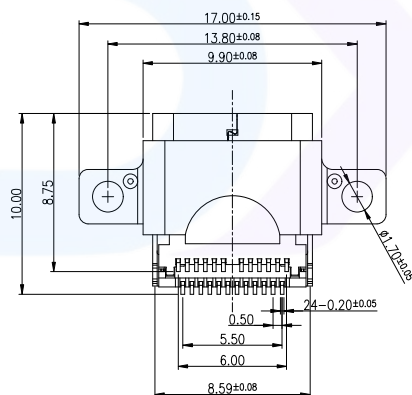
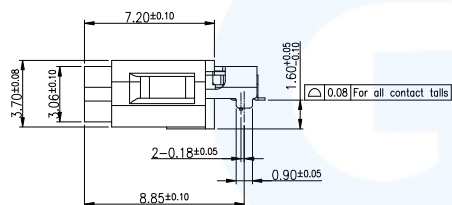


RoHS
Compliant



Notes:
1. Dimension shall be interpreted per ASME Y14.5M1994.
2. Dimension marked ∇ & \blacktriangledown should be checked by Q.C. and process, engineers and ∇ should also check the CPK data.

Specification:
1. Current Rating: 5.0 AMP
2. Voltage Rating: 30V AC,DC
3. Dielectric Strength: 500V AC RMS for 1 minute.
4. Contact Resistance: 30 mΩ Max.
5. Insulator Resistance: 500M Ω Min. AT 250V DC.
6. Mating/Unmating cycles: 2000cycles
7. Temperature: -20°C to +60°C



A1	GND	B12	GND
A2	SSTXP1	B11	SSRXP1
A3	SSTXN1	B10	SSRXN1
A4	VBUS	B9	VBUS
A5	CC1	B8	SBU2
A6	DP1	B7	DN2
A7	DN1	B6	DP2
A8	SBU1	B5	CC2
A9	VBUS	B4	VBUS
A10	SSRXN2	B3	SSTXN2
A11	SSRXP2	B2	SSTXP2
A12	GND	B1	GND
PIN	SIGNAL NAME	PIN	SIGNAL NAME

5	PLASTIC SHELL	PA9T	BLACK,JUL 94V-0	1
4	MID-PLATE	SUS301-H	SOLDER AREA:G/F:NI 50u*Min. OVER ALL.	1
3	SHELL	SUS304-1/2H	SOLDERABLE NI 50u* Min. OVER ALL	1
2	CONTACT	C7025	CONTACT AREA:AU 2u* Min.;SOLDER AREA:G/F:NI 50u*~150u*. OVER ALL.	24
1	HOUSING	PA9T	BLACK,JUL 94V-0	1
ITEM	DEFINITION	MATERIAL	FINISH	Q'TY

广东小迈实业有限公司

Website:

<https://www.xmconn.com>

TEL:

18938295888



PART NAME

TYPE C USB 24Pin SMT
(\approx 1.6mm Type C USB)

PART NO.

DM68002-24SBAP-B

TOLERANCE UNLESS OTHERWISE SPECIFIED:

X \pm 0.2
X.X \pm 0.15
X.XX \pm 0.10
X.XXX \pm 0.050

DRAWING:

Li

DATE:

2023.08.18

CHECK:

Chen

DATE:

2023.08.18

APPROVAL:

Wen

DATE:

2023.08.18

SCALE

1:1

SHEET

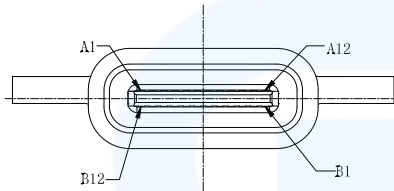
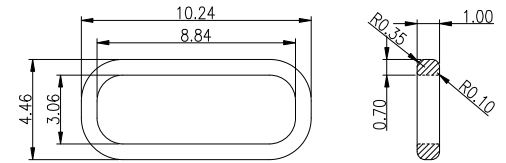
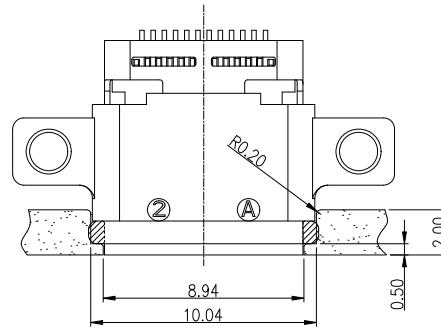
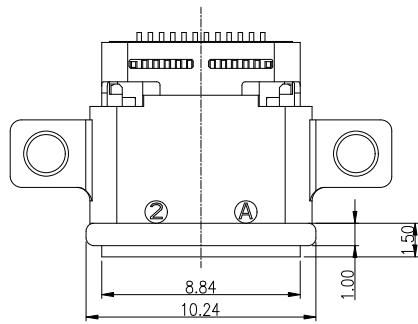
1/1

REV:A0

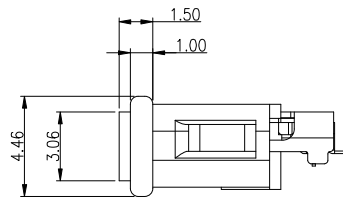
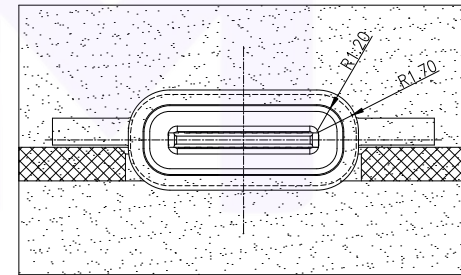
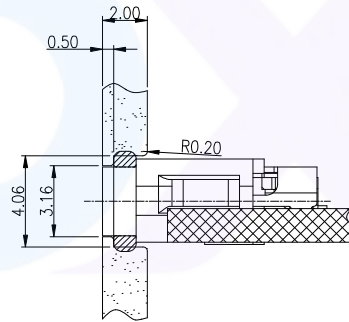
SIZE: A4



RoHS
Compliant



M15硅胶圈



广东小迈实业有限公司

Website:

<https://www.xmconn.com>

TEL:

18938295888



PART NAME

TYPE C USB 24Pin SMT
(间距1.6mm Type C USB)

PART NO.

DM68002-24SBAP-B

TOLERANCE UNLESS OTHERWISE SPECIFIED:

X ±0.2
X.X ±0.15
X.XX ±0.10
X.XXX ±0.050

DRAWING:

Li

DATE:

2023.08.18

CHECK:

Chen

DATE:

2023.08.18

APPROVAL:

Wen

DATE:

2023.08.18

SCALE

1:1

SHEET

1/1

REV:A0

SIZE: A4

