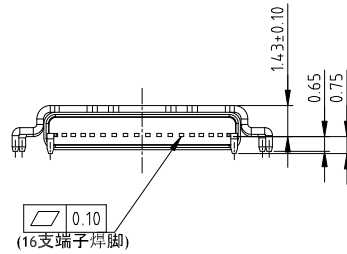
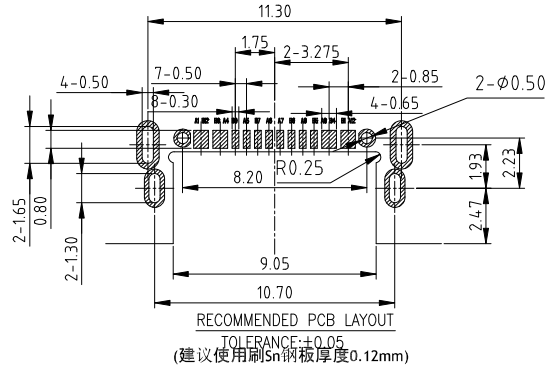


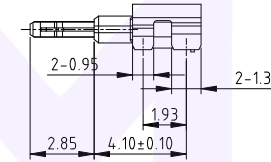
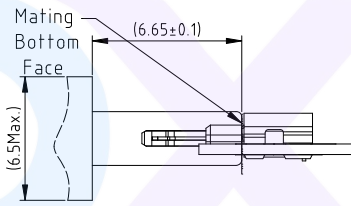
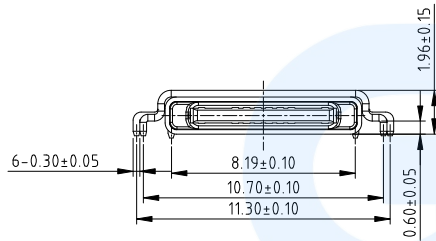
RoHS
Compliant



NOTES:

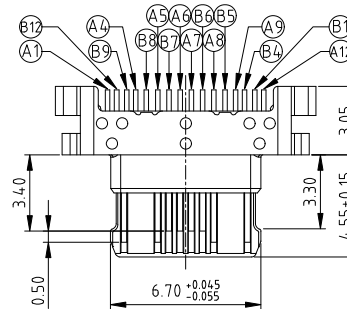
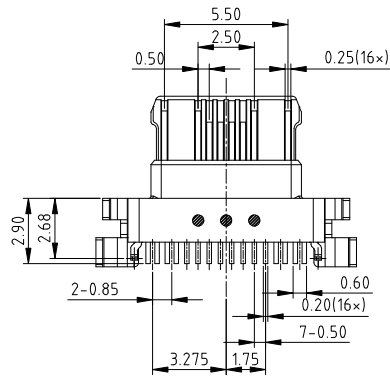
SPECIFICATION:

1. CURRENT RATING: 3.0A MAX
2. VOLTAGE: 100 VAC
3. TEMPERATURE RANGE: -30 °C ~ 85 °C
4. CONTACT RESISTANCE: 40 MILLIONHM MAX
5. INSULATION RESISTANCE: 100 MEGOHMS MIN.
6. INSERTION FORCE : 5N~20N
7. UNMATING FORCE: 8N~20N
8. DURABILITY: 10,000 CYCLES



Pin Assignments

Contact Number	Signal Name	Contact Number	Signal Name
A1	GND	B12	GND
A4	VBUS	B9	VBUS
A5	CC1	B8	SBU2
A6	Dp1	B7	Dn2
A7	Dn1	B6	Dp2
A8	SBU1	B5	CC2
A9	VBUS	B4	VBUS
A12	GND	B1	GND



注1: "○"表示CPK尺寸

NO.	DESCRIPTION	MATERIAL	REMARKS	QTY
9	LIM	SILICA GEL	BLACK	1PCS
8	TOP SHELL	SUS 304	Au 1.5u"/Ni 50u" Plated	1PCS
7	SHELL	SUS316	/	1PCS
6	OVER MOLDING	PA9T+30%G.F	BLACK	1PCS
5	TOP I/M	PA9T+30%G.F	BLACK	1PCS
4	BOTTOM I/M	PA9T+30%G.F	BLACK	1PCS
3	MID PLATE	SUS301	Tin 80u"/Ni 50u" Plated	1PCS
2	CONTACT	C7025	Au 2u"/Tin 80u"/Ni 50u" Plated	1SET
1	CONTACT	C7025	Au 2u"/Tin 80u"/Ni 50u" Plated	1SET

广东小迈实业有限公司

Website:

<https://www.xmconn.com>

TEL:

18938295888



PART NAME USB Type-C 母 16pin 沉板0.60, 外露4.50

PART NO. DM18007-16FBAP-A

TOLERANCE UNLESS OTHERWISE SPECIFIED:

X ±0.2
X.X ±0.15
X.XX ±0.10
X.XXX ±0.050

DRAWING:

Li

DATE:

2023.08.18

SCALE

SHEET

REV: A0

CHECK:

Chen

DATE:

2023.08.18

1:1

1/2

SIZE: A4

APPROVAL:

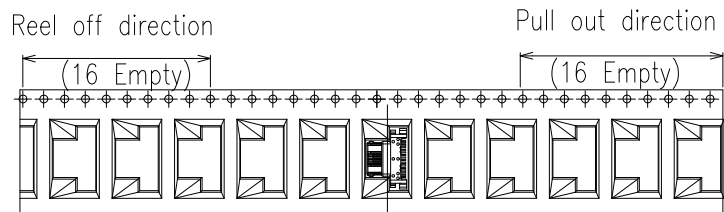
Wen

DATE:

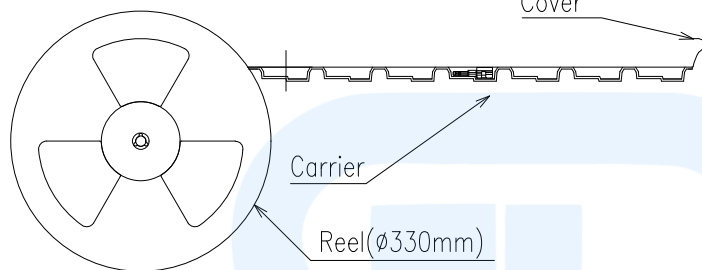
2023.08.18



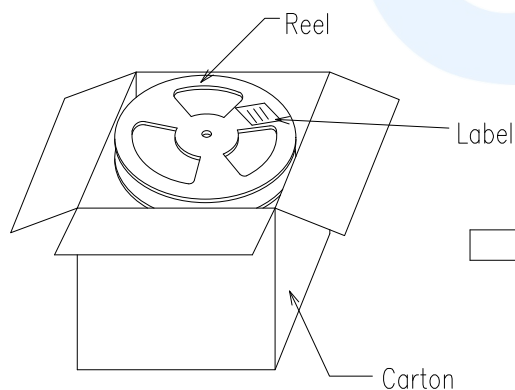
RoHS
Compliant



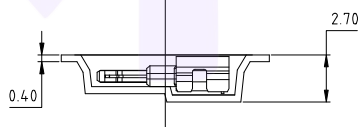
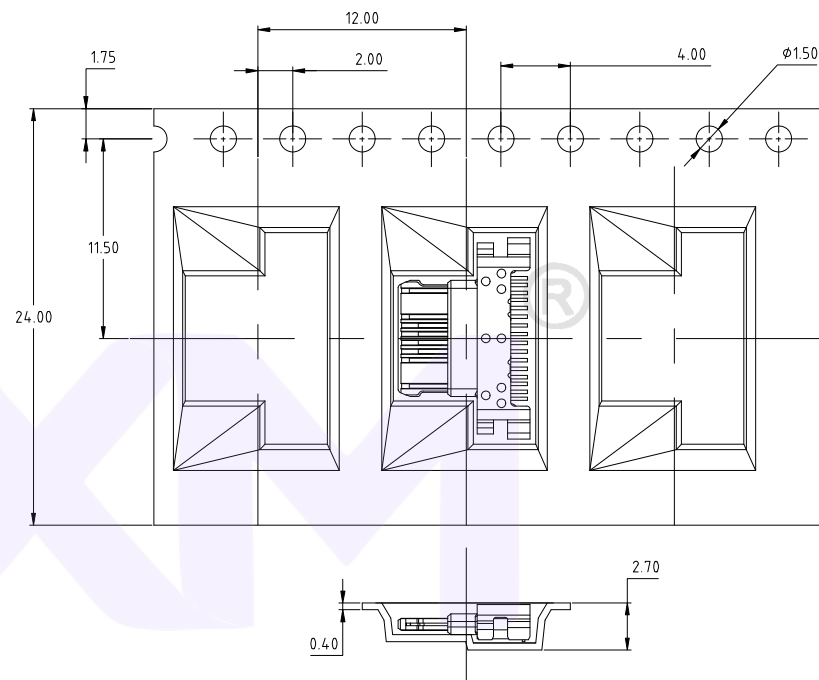
Reel off direction
Pull out direction
(16 Empty)
(16 Empty)
Packaging Direction
User Direction Of Unreeling



Carrier
Reel(ϕ 330mm)



Carton



产品合格标签

NOTES:

1. 载带材质: PET 透明
2. 包装内容: SEE TABLE A

TABLE A :

PART NAME	PART NUMBER	PCS/ REEL	REEL/CARTON	QTY/CARTON	CARTON SIZE/MM
TYPE C 16PIN	X2235	2000	10 REEL	20000 PCS	340*340*300

广东小迈实业有限公司

Website:

<https://www.xmconn.com>

TEL:

18938295888



PART NAME

USB Type-C 母 16pin 沉板0.60
舌片外露4.50mm 四脚插板型

PART NO.

DM18007-16FBAP-A

TOLERANCE UNLESS
OTHERWISE SPECIFIED:

X \pm 0.2
X.X \pm 0.15
X.XX \pm 0.10
X.XXX \pm 0.050

DRAWING:

Li

DATE:

2023.08.18

CHECK:

Chen

DATE:

2023.08.18

APPROVAL:

Wen

DATE:

2023.08.18

SCALE

1:1

SHEET

2/2

REV: A0

SIZE: A4