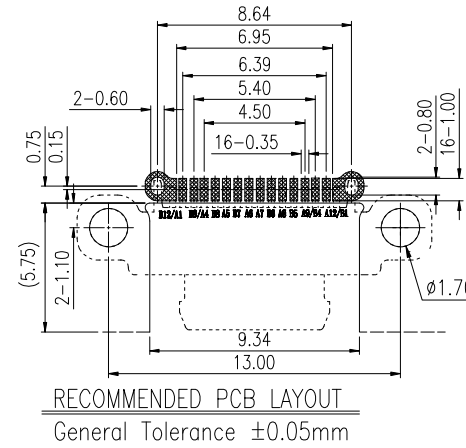
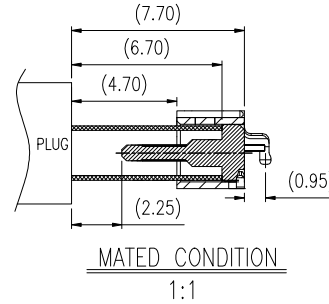
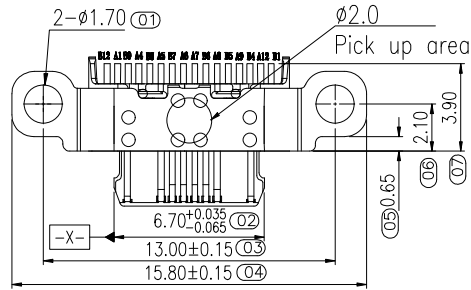
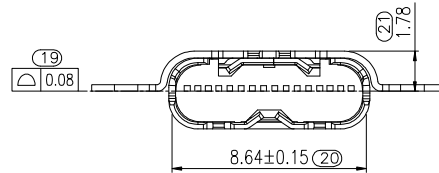
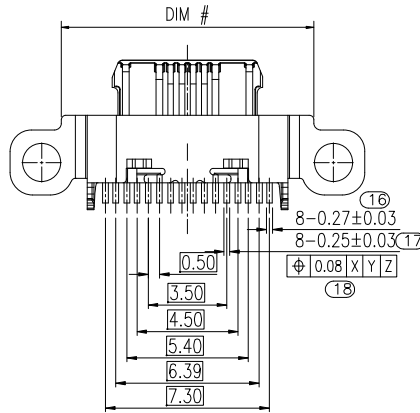
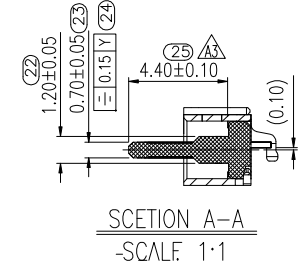
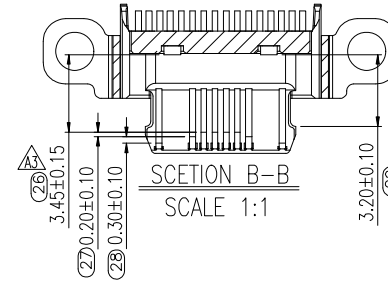
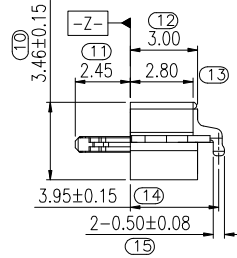
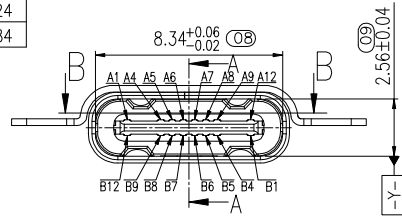


RoHS
Compliant



- 备注:
- 规格
 - 额定电流:
Pin A1 A12和 B1 B12 合计8A最大
Pin A4 A9和B4 B9 合计8A最大
其它Pin 0.25A最大
 - 额定电压:30V AC
 - 接触电阻:
初始值 40mΩ 最大
耐久后 50mΩ 最大
 - 耐电压:100V AC 1分钟
 - 绝缘电阻: 100MΩ 最小, 1分钟
 - 机械性能:
拔出力>=8N(1000次),
6N(10000次) <=20N
 - 耐久: 10000次
 - 操作温度:
-40 °C ~ 85 °C
 - 盐雾: 48H
 - 产品必须遵守ROHS规范

No.	DIM
A	11.24
B	10.84



PIN ASSIGNMENTS:

PIN	A1	A4	A5	A6	A7	A8	A9	A12
Signal Name	GND	V _{BUS}	CC1	Dp1	Dn1	SBU1	V _{BUS}	GND
PIN	B12	B9	B8	B7	B6	B5	B4	B1
Signal Name	GND	V _{BUS}	SBU2	Dn2	Dp2	CC2	V _{BUS}	GND

5	CLIP	1PCS	SUS304 T=0.30mm	50u" MIN SOLDERABLE NICKEL
4	SHELL	1PCS	SUS304 T=0.30mm	50u" MIN SOLDERABLE NICKEL
3	CONTACT	1SET	C18400 T=0.25mm	GOLD 3U" Min PLATED ON CONTACT AREA AND GOLD 1U" Min ON SOLDER TAILS OVER 50u" Min NICKEL UNDERPLATING OVERALL
2	MID-PLATE	1PCS	SUS301 T=0.20mm	NO PLATING
1	HOUSING	1PCS	PA46	BLACK COLOR, UL94 V-0
ITFM	PART NAMF	Q'TY	MATFRIAL	FINISH

广东小迈实业有限公司

Website:

<https://www.xmconn.com>

TEL:

18938295888



PART NAME

USB2.0 Type C 16Pin CONN.

PART NO.

DM18006-16FBAP-B

TOLERANCE UNLESS OTHERWISE SPECIFIED:

X ±0.2
X.X ±0.15
X.XX ±0.10
X.XXX ±0.050

DRAWING:

Li

DATE:

2023.08.18

SCALE

SHEET

REV:A0

CHECK:

Chen

DATE:

2023.08.18

1:1

1/2

SIZE: A4

APPROVAL:

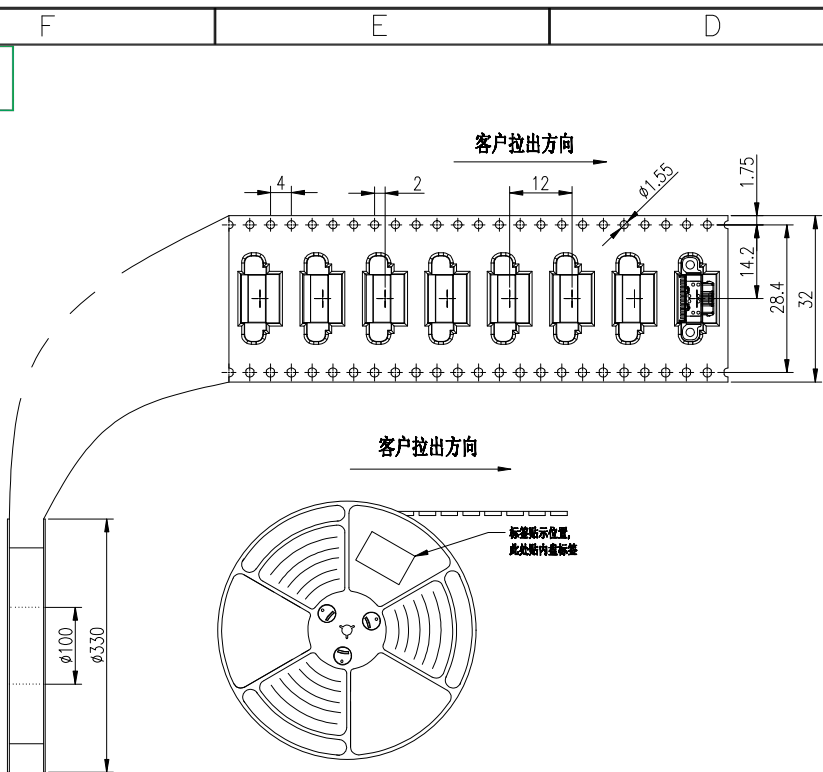
Wen

DATE:

2023.08.18

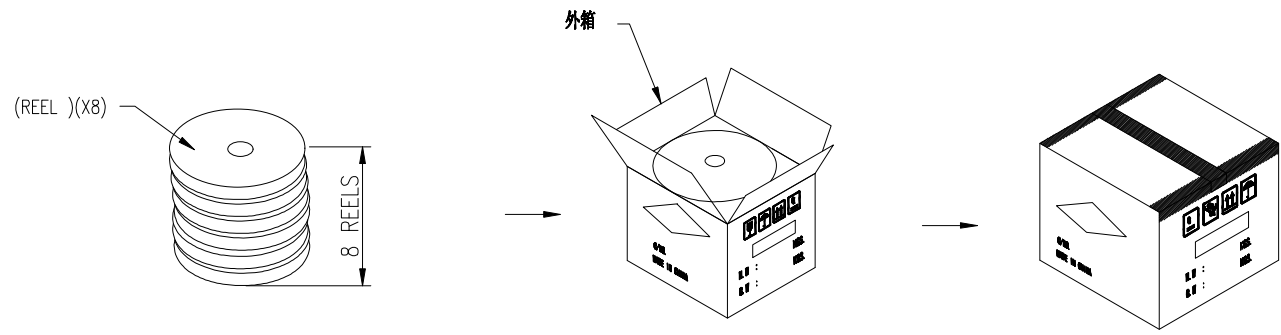


RoHS
Compliant



NOTES

1. 每卷满装:1500PCS;
2. 包装方式如下:
3. 满箱包装数量: 12000PCS;
4. LOT号的管控按LOT管理规定执行;
5. 标识、标签依据及其它包装要求, 参照对应客户的包装规范执行。



广东小迈实业有限公司

Website: <https://www.xmconn.com> TEL: 18938295888



PART NAME	USB2.0 Type C 16Pin CONN.
PART NO.	DM18006-16FBAP-B

TOLERANCE UNLESS OTHERWISE SPECIFIED:	
X	±0.2
X.X	±0.15
X.XX	±0.10
X.XXX	±0.050

DRAWING:	Li	DATE:	2023.08.18	SCALE	SHEET	REV:A0
CHECK:	Chen	DATE:	2023.08.18	1:1	2/2	SIZE: A4
APPROVAL:	Wen	DATE:	2023.08.18			