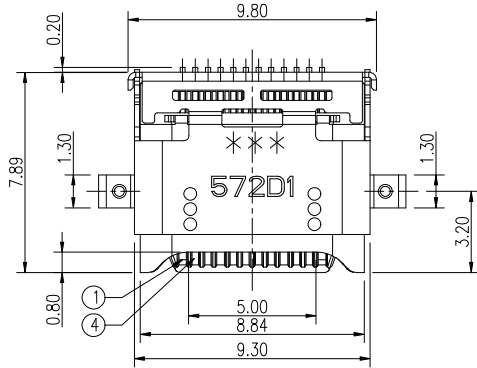
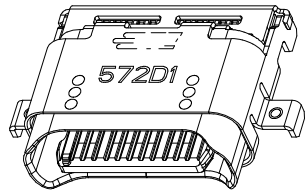


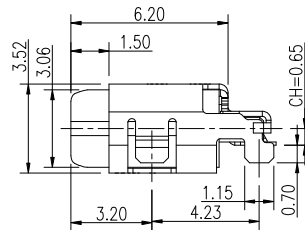
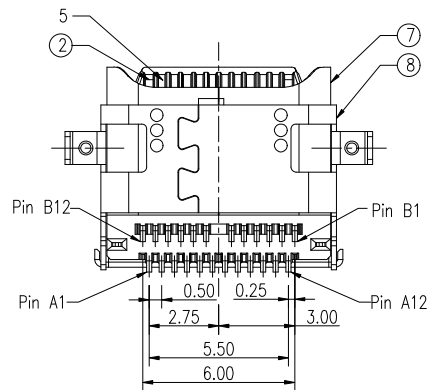
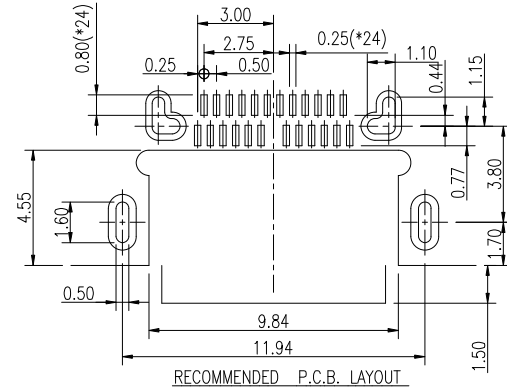
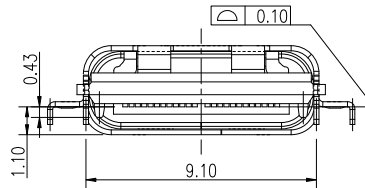
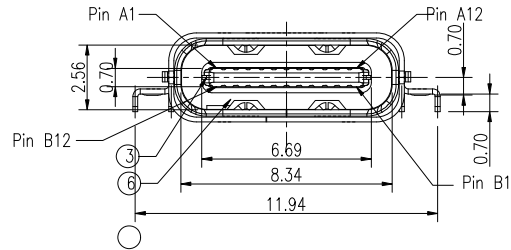
RoHS  
Compliant



NOTES:

SPECIFICATION:

1. CURRENT RATING: 6.0A MAX
2. VOLTAGE: 100 VAC
3. TEMPERATURE RANGE: -30 °C ~ 85 °C
4. CONTACT RESISTANCE: 40 MILLIONHM MAX
5. INSULATION RESISTANCE: 100 MEGOHMS MIN.
6. INSERTION FORCE : 5N~20N
7. UNMATING FORCE: 8N~20N
8. DURABILITY: 10,000 CYCLES



Pin	Name	Pin	Name
A1	GND	B12	GND
A2	SSTXp1	B11	SSRXp1
A3	SSTXn1	B10	SSRXn1

NO.	DESCRIPTION	MATERIAL	REMARKS	QTY
8	SHELL COVER	STAINLESS STEEL	Ti/Ni Plated	1PCS
7	SHELL	STAINLESS STEEL	Ni Plated	1PCS
6	OVER MOLDING	HIGH TEMPERATURE PLASTIC	BLACK	1PCS
5	TOP I/M	HIGH TEMPERATURE PLASTIC	BLACK	1PCS
4	BOTTOM I/M	HIGH TEMPERATURE PLASTIC	BLACK	1PCS
3	MID PLATE	STAINLESS STEEL	Ti/Ni Plated	1PCS
2	CONTACT-B	COPPER ALLOY	Au/Ni Plated	1SET
1	CONTACT-A	COPPER ALLOY	Au/Ni Plated	1SET
NO.	DESCRIPTION	MATERIAL	REMARKS	QTY

广东小迈实业有限公司

Website:

<https://www.xmconn.com>

TEL:

18938295888



PART NAME

USB C TYPE 24PIN CH=0.65mm REG. CONN.

PART NO.

DM18004-24FBAP-A2

TOLERANCE UNLESS OTHERWISE SPECIFIED:

X ±0.2  
X.X ±0.15  
X.XX ±0.10  
X.XXX ±0.050

DRAWING:

Li

DATE:

2023.08.18

CHECK:

Chen

DATE:

2023.08.18

APPROVAL:

Wen

DATE:

2023.08.18

SCALE

1:1

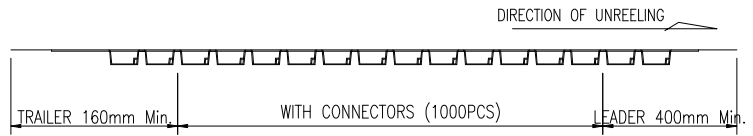
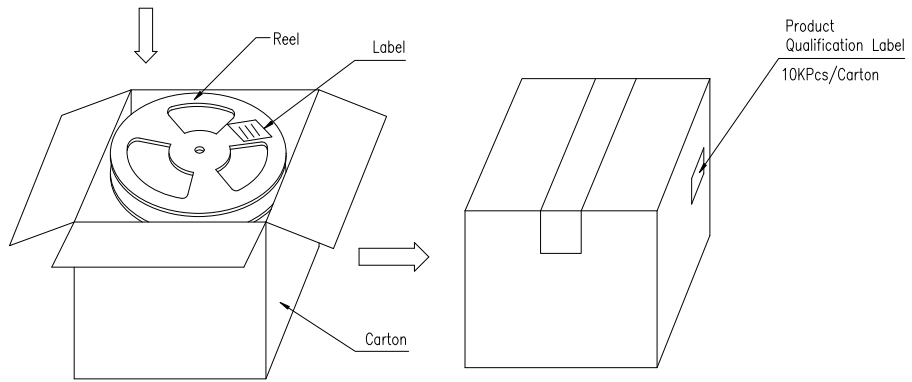
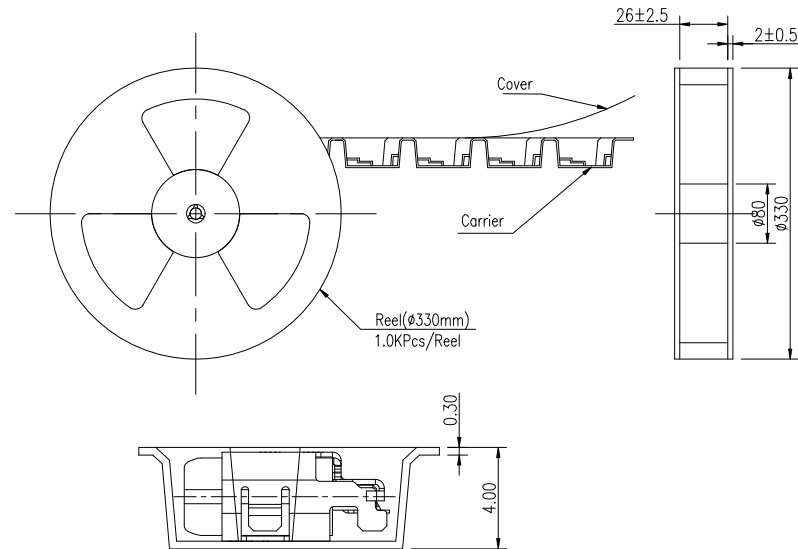
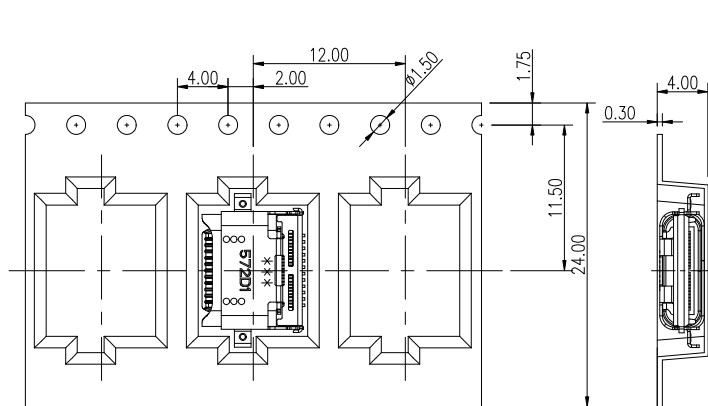
SHEET

1/2

REV: A0

SIZE: A4

RoHS  
Compliant



NOTES:  
1, Tape Reel Material: PET Transparent  
2, Package Content: See Tab below

广东小迈实业有限公司

Website: <https://www.xmconn.com> TEL: 18938295888



PART NAME	USB C TYPE 24PIN CH=0.65mm REC. CONN.
PART NO.	DM18004-24FBAP-A2

TOLERANCE UNLESS OTHERWISE SPECIFIED:	
X	±0.2
X.X	±0.15
X.XX	±0.10
X.XXX	±0.050

DRAWING:	Li	DATE:	2023.08.18	SCALE	SHEET	REV: A0
CHECK:	Chen	DATE:	2023.08.18	1:1	2/2	SIZE: A4
APPROVAL:	Wen	DATE:	2023.08.18			