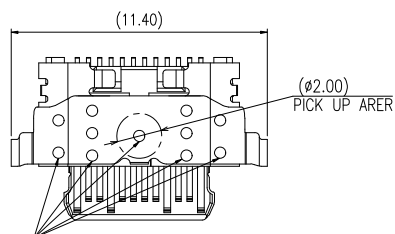
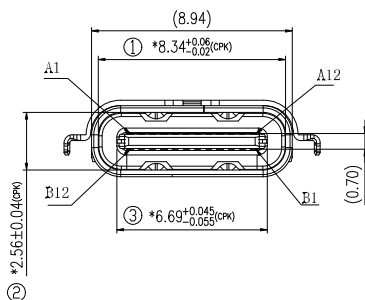
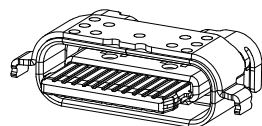
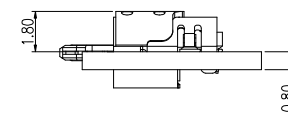
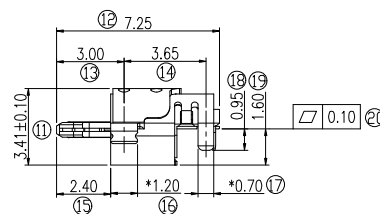
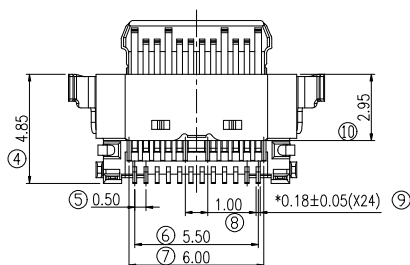
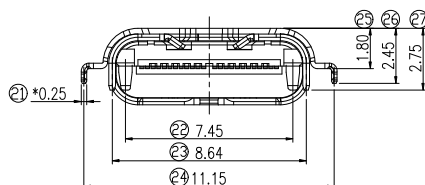


RoHS
Compliant



Welding spot: Height < 0.05mm, Pulling force > 50N.



NOTES:

1. PRODUCT SPECIFICATIONS:

- 1.1. CURRENT RATING: 15A/PIN MAX(A4,A9,B4,B9)
1.25A/PIN MAX(A1,A12,B1,B12), 0.25A(COHER PIN)
 - 1.2. TEMPERATURE RANGE: -40 °C ~ 85 °C
 - 1.3. CONTACT RESISTANCE: 30 MILLIONHM MAX
 - 1.4. INSULATION RESISTANCE: 100 MEGOHMS MIN.
 - 1.5. DIELECTRIC WITHSTANDING VOLTAGE: 100 VAC
 - 1.6. PULG INSERTION DIRECTION WITHSTANDS
INSERTION FORCE > 13.6kg
 - 1.7. INSERTION FORCE : 5N~20N
 - 1.8. UNMATING FORCE: INITIAL: 8N~20N; DURABILITY: 6N~20N
 - 1.9. DURABILITY: 10,000 CYCLES
- (1.6/1.7/1.8/1.9 Need to cooperate with the whole machine test)

2. PART NUMBER CODE:

C F 106 - 24 L X XX R - 01

① ②

① HOUSING:
B: BLACK

② CONTACTS PLATED:
12: 接触镀金3u"焊接区域镀金1u"

广东小迈实业有限公司

Website:

<https://www.xmconn.com>

TEL:

18938295888



PART NAME

TYPE C F 24PIN 平口沉板1.60
舌片外径2.40mm CONN.

PART NO.

DM18002-24FBAP-A

TOLERANCE UNLESS
OTHERWISE SPECIFIED:

X ±0.2
X.X ±0.15
X.XX ±0.10
X.XXX ±0.050

DRAWING:

Li

DATE:

2023.08.18

SCALE

SHEET

REV: A0

CHECK:

Chen

DATE:

2023.08.18

1:1

1/3

SIZE: A4

APPROVAL:

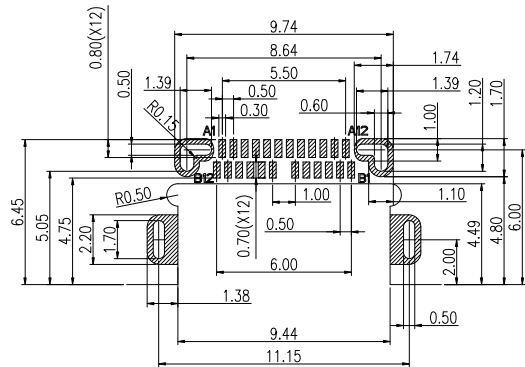
Wen

DATE:

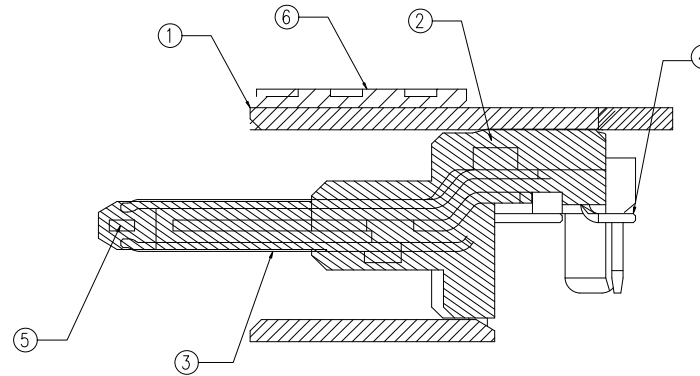
2023.08.18



RoHS
Compliant



RECOMMENDED P.C.B. LAYOUT (THICKNESS:0.80MM)
TOLERANCE UNSPECIFIED ±0.05mm



SECTION A-A

PIN ASSIGNMENT

pin	Signal name	pin	Signal name	pin	Signal name	pin	Signal name
A1	GND	B12	GND	A7	Dn1	B6	Dp2
A2	SSTXp1	B11	SSRXp1	A8	SBU1	B5	CC2
A3	SSTXn1	B10	SSRXn1	A9	VBUS	B4	VBUS
A4	VBUS	B9	VBUS	A10	SSRXn2	B3	SSTXn2
A5	CC1	B8	SBU2	A11	SSRXp2	B2	SSTXP2
A6	Dp1	B7	Dn2	A12	GND	B1	GND

6	SHELL-2	1PCS	STAINLESS STEEL	50u" MIN. Ni UNDERPLATING OVERALL
5	MID PLATE	1PCS	STAINLESS STEEL	50u" MIN. Ni UNDERPLATING OVERALL
4	CONTACT B	1SET	COPPER ALLOY	Au 15u" PLATING ON CONTACT AREA Au 1~3u" PLATING ON SOLDER AREA
3	CONTACT A	1SET	COPPER ALLOY	50u" MIN. NICKEL UNDER PLATING ALL OVER
2	HOUSING	1PCS	NYLON	COLOR:BLACK
1	SHELL-1	1PCS	STAINLESS STEEL	50u" MIN. Ni UNDERPLATING OVERALL
NO.	DESCRIPTION	QTY.	MATERIAL	FINISH

广东小迈实业有限公司

Website:

<https://www.xmconn.com>

TEL:

18938295888



PART NAME

TYPE C F 24PIN 平口沉板1.60
舌片外径2.40mm CONN.

PART NO.

DM18002-24FBAP-A

TOLERANCE UNLESS OTHERWISE SPECIFIED:

X ±0.2
X.X ±0.15
X.XX ±0.10
X.XXX ±0.050

DRAWING:

Li

DATE:

2023.08.18

SCALE

SHEET

REV:A0

CHECK:

Chen

DATE:

2023.08.18

1:1

2/3

SIZE: A4

APPROVAL:

Wen

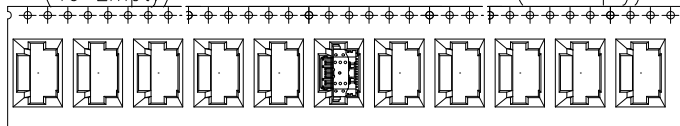
DATE:

2023.08.18

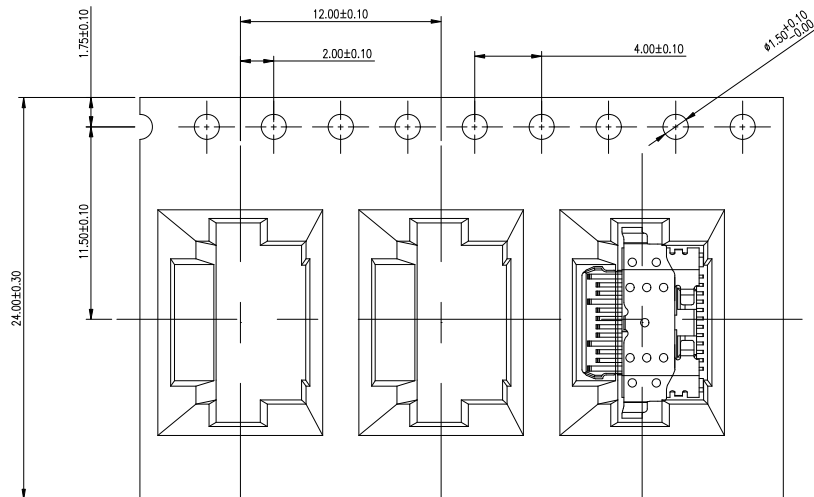
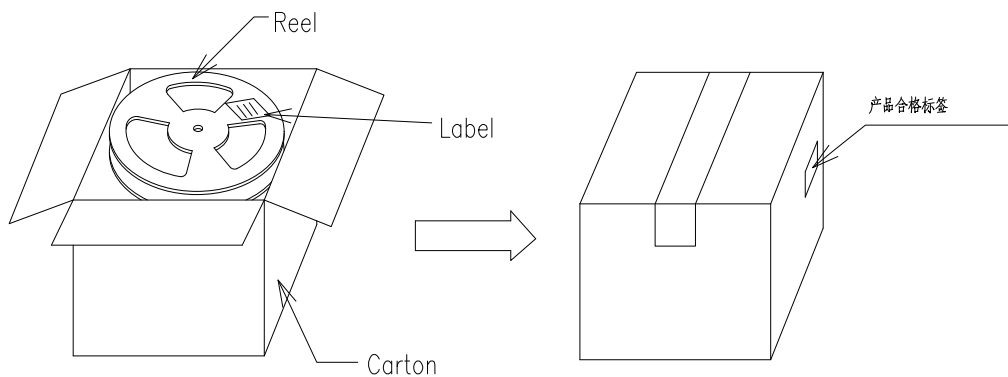
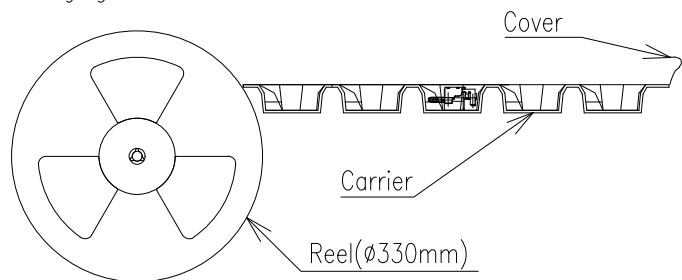


RoHS
Compliant

Reel off direction (40 Empty) Pull out direction (24 Empty)



Packaging Direction ← User Direction Of Unreeling →



NOTES:

1. 载带材质: PS 透明
2. 包装内容: SEE TABLE A

TABLE A :

PCS/REEL	REEL/CARTON	QTY/CARTON	CARTON SIZE/MM
1500	10 REEL	15000 PCS	340*340*300

广东小迈实业有限公司

Website:

<https://www.xmconn.com>

TEL:

18938295888



PART NAME

TYPE C F 24PIN 平口沉板1.60
舌片外宽2.40mm CONN.

PART NO.

DM18002-24FBAP-A

TOLERANCE UNLESS OTHERWISE SPECIFIED:

X ±0.2
X.X ±0.15
X.XX ±0.10
X.XXX ±0.050

DRAWING:

Li

DATE:

2023.08.18

CHECK:

Chen

DATE:

2023.08.18

APPROVAL:

Wen

DATE:

2023.08.18

SCALE

1:1

SHEET

3/3

REV:A0

SIZE: A4

