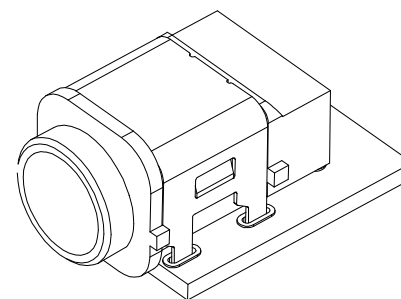
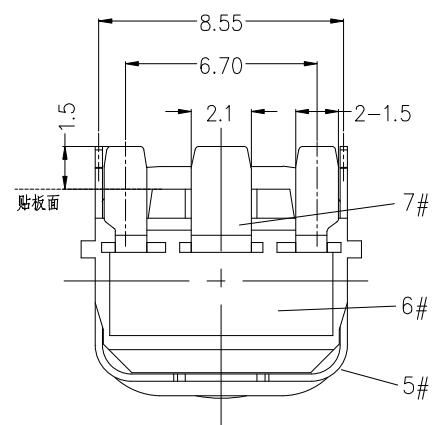
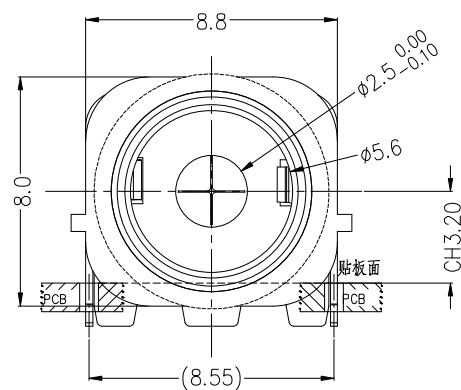
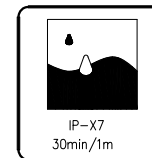


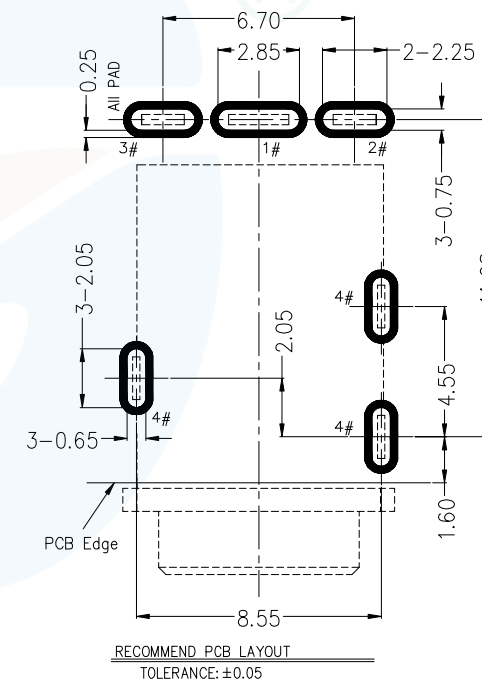
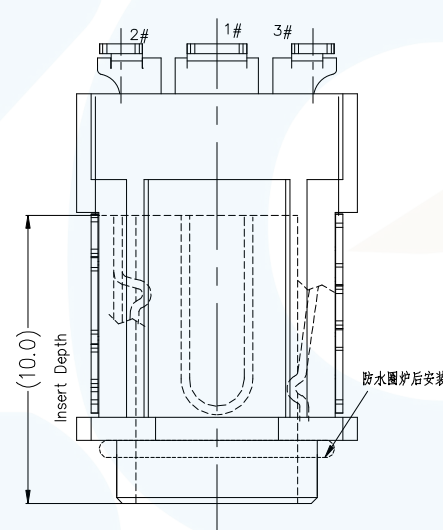
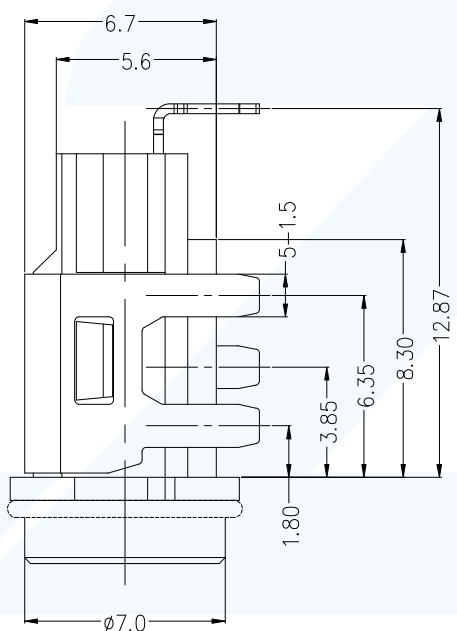
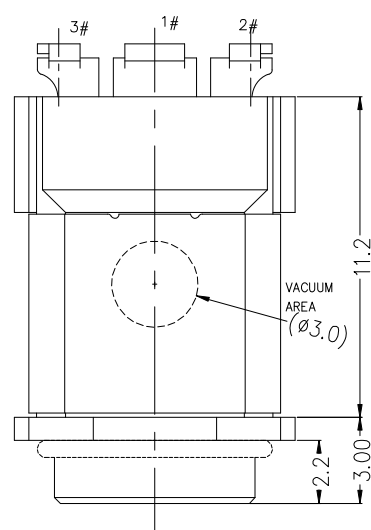
RoHS  
Compliant

ZONE	ECN.N.O.	DESCRIPTION	DRAWING	DATE
A		INITIAL	林生财	2020.02.18

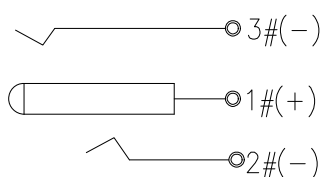


Notes:

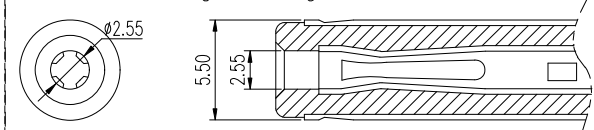
- 1.Current Rating: 20V&10A Max.
- 2.Contact Resistance: 50mOhms Max.(initial)
- 3.Insulation Resistance: 100M Ohms Min./500V DC
- 4.Dielectric Withstanding Voltage: 500V AC/1Minute
- 5.Mating Force: 35N Max, Withdrawal Force: 3N Min.
- 6.Durability: 5,000 Cycles
- 7.Operating Temperature: -25°C to+85°C



Circuit Diagram



Plug Drawing



7	BOND	EPOXY	Black
6	Cover	Hight. Thermoplastics	Black;UL 94-V0
5	Housing	Thermoplastics	Black;UL 94-V0
4	Shell	Copper Alloy	Ni Plated OverAll
3	Switch(-)		
2	Spring(-)		
	Center Pin(+)		
Item	Name	Material	Description



LZG INDUSTRIAL CO. LTD

DRAWING:	林生财	DATE:	2020.02.18	SCALE	1:1
CHECK:	李宏鑫	DATE:	2020.02.18	MATERIAL	*
APPROVAL:	杨进宝	DATE:	2020.02.18	DWG. NO.	
DRAWING NO.	ZB30017-03DBAP-A			SHEET	1/1

PART NAME	Waterprllf DC插座	TOLERANCE UNLESS	0.0±0.3	0.°±2°	UNIT: mm	
PART NO.	ZB30017-03DBAP-A	OTHERWISE SPECIFIED:	0.00±0.2	0.0°±1°		
			0.000±0.1	0.00°±0.5°		