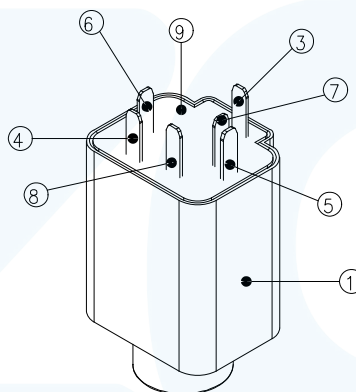
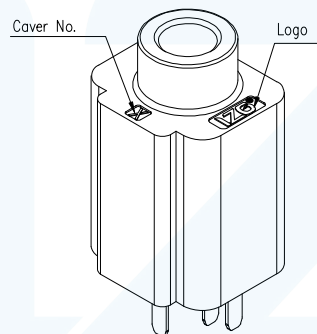
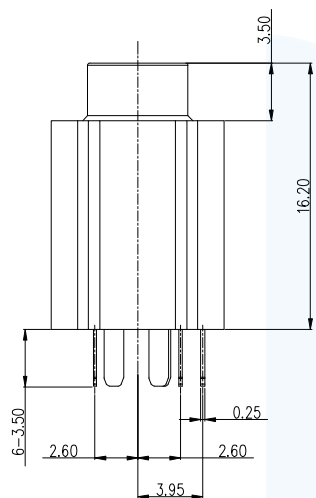
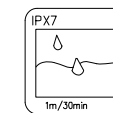
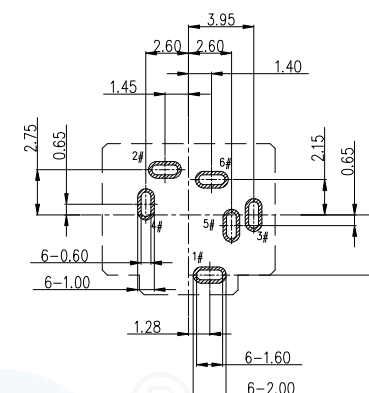
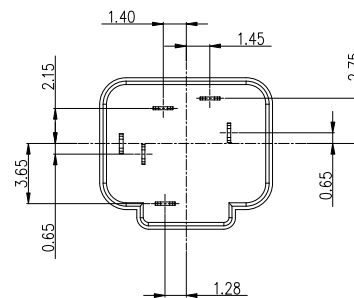
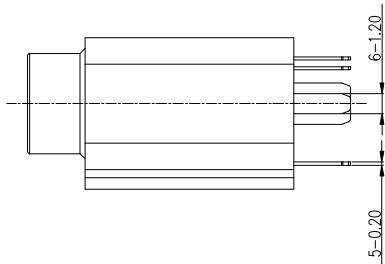
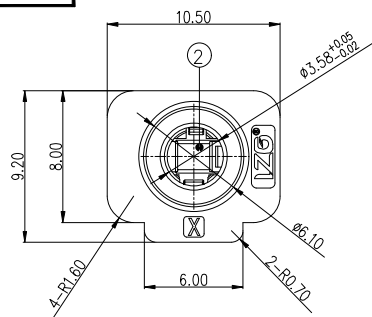


RoHS
Compliant

ZONE	EC N.O.	DESCRIPTION	DRAWING	DATE
A		INITIAL	林生財	2024.05.13



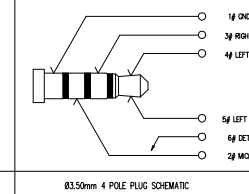
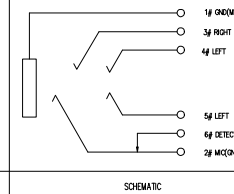
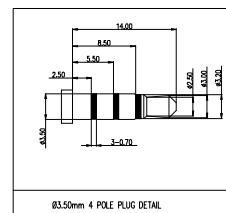
RECOMMEND PCB LAYOUT
TOLERANCE: ±0.05

NOTES:

1. MATERIAL: SEE "TABLE 1";
2. FINISH: SEE "TABLE 1";
3. ELECTRICAL:
 - 3.1. VOLTAGE RATING: 12 VAC RMS;
 - 3.2. CURRENT RATING: 1 AMP;
 - 3.3. CONTACT RESISTANCE: 50mΩ Max.(Initial), 100mΩ Max.(After Life test);
 - 3.4. INSULATION RESISTANCE: 100 MΩ Min., 500VDC.(Initial), 50 MΩ Min., 500VDC.(After Humidity test);
 - 3.5. WITHSTAND VOLTAGE: 500 VAC RMS 50(60)Hz, 1 minute;
4. MECHANICAL:
 - 4.1. MATING FORCE: 3.0Kgf MAX.;
 - 4.2. UNMATING FORCE: 0.3Kgf MIN.;
 - 4.3. OPERATING LIFE: 5000 CYCLES MIN.;
5. ENVIRONMENTAL:
 - 5.1. OPERATION: -25°C~+85°C.

TABLE 1:

ITEM	NAME	QTY	DESCRIPTION
⑨	GULF	1	EPOXY;BLACK
⑧	TERMINAL 6#	1	BRASS; NICKEL UNDER PLATING OVERALL, GOLD PLATING ON CONTACT AREA, Sn PLATING ON SOLDER AREA;
⑦	TERMINAL 5#	1	STAINLESS STEEL; NICKEL UNDER PLATING OVERALL,Sn PLATING ON CONTACT AND SOLDER AREA;
⑥	TERMINAL 4#	1	STAINLESS STEEL; NICKEL UNDER PLATING OVERALL,Sn PLATING ON CONTACT AND SOLDER AREA;
⑤	TERMINAL 3#	1	COPPER ALLOY; NICKEL UNDER PLATING OVERALL,Sn PLATING ON CONTACT AND SOLDER AREA;
④	TERMINAL 2#	1	COPPER ALLOY; NICKEL UNDER PLATING OVERALL,GOLD PLATING ON CONTACT AREA, Sn PLATING ON SOLDER AREA;
③	TERMINAL 1#	1	COPPER ALLOY; NICKEL UNDER PLATING OVERALL,Sn PLATING ON CONTACT AND SOLDER AREA;
②	COVER	1	HIGH TEMPERATURE PLASTIC; COLOR BLACK
①	HOUSING	1	HIGH TEMPERATURE PLASTIC; COLOR BLACK



LZG INDUSTRIAL CO. LTD

DRAWING:	林生財	DATE:	2024.05.13	SCALE	1:1
CHECK:	李宏鑫	DATE:	2024.05.13	MATERIAL	*
APPROVAL:	楊進宝	DATE:	2024.05.13	DWG. NO.	
DRAWING NO.	ZB23031-06DBAP-A			SHEET	1/1

PART NAME	WATERPROOF AUDIO JACK	TOLERANCE UNLESS	0.0±0.25	0.1±2*	UNIT: mm
PART NO.	ZB23031-06DBAP-A	OTHERWISE SPECIFIED:	0.00±0.15 0.000±0.05	0.0±1* 0.00±0.5*	