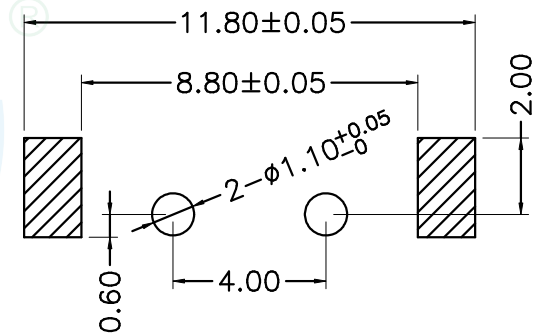
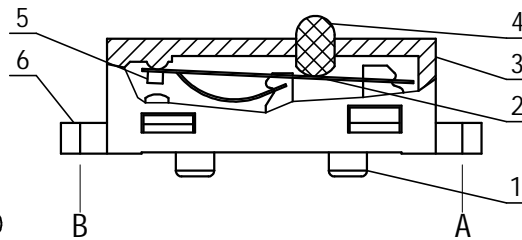
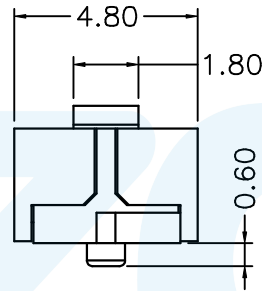
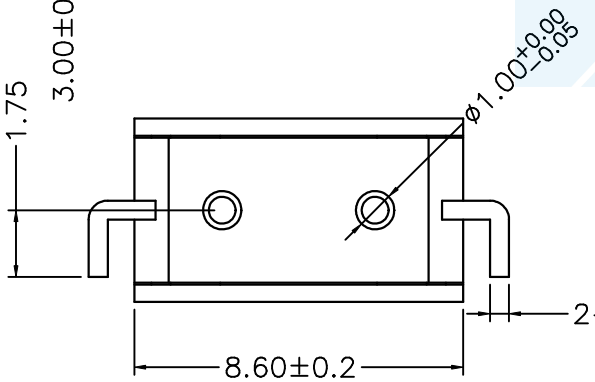
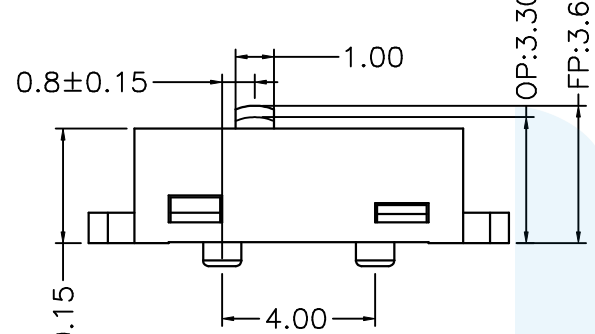
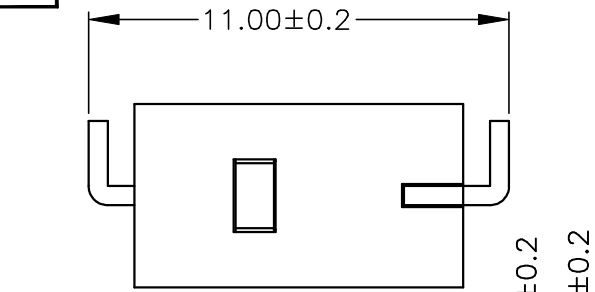


RoHS
Compliant

| ZONE | E.C.N. NO. | DESCRIPTION | DRAWING | DATE |
|-----------------------|---------------|-----------------------|------------------|------------|
| A | | INITIAL | 林生财 | 2020.02.18 |
| Rating | DC30V 0.1A | Electrical Life | 5,000,000 cycles | |
| Contact Resistance | 100mΩ Max | Mechanical Life | 5,000,000 cycles | |
| Insulation Resistance | >100MΩ DC500V | Ambient Temper. Used | -25℃ to +70℃ | |
| Withstand Voltage | AC500V 1min. | Ambient Humidity Used | ≤85% at +40℃ | |
| Soldering Temper. | 255±5℃ 5s | Operating Force | 90gf MAX | |



PCB LAYOUT

| 序号 | 零件名称 | 数量 | 材质 | 备注 |
|----|------|----|--------|----|
| 6 | 端子 | 2 | C2680 | 镀银 |
| 5 | 触点 | 1 | 银合金 | |
| 4 | 按钮 | 1 | 高温尼龙 | |
| 3 | 盖片 | 1 | 高温尼龙 | |
| 2 | 弹片 | 1 | C17200 | |
| 1 | 底座 | 1 | 高温尼龙 | |

LZG LZG INDUSTRIAL CO. LTD

| | | | | | |
|-------------|----------------|-------|------------|----------|-----|
| DRAWING: | 林生财 | DATE: | 2020.02.18 | SCALE | 1:1 |
| CHECK: | 李宏鑫 | DATE: | 2020.02.18 | MATERIAL | * |
| APPROVAL: | 杨进宝 | DATE: | 2020.02.18 | DWG. NO. | |
| DRAWING NO. | ZL036-00M-60-5 | | | SHEET | 1/1 |

| PART NAME | MICROSWITCH | TOLERANCE UNLESS | 0.0±0.3 | 0.°±2° | UNIT: | mm |
|-----------|----------------|----------------------|-----------|------------|-------|----|
| PART NO. | ZL036-00M-60-5 | OTHERWISE SPECIFIED: | 0.00±0.2 | 0.0°±1° | | |
| | | | 0.000±0.1 | 0.00°±0.5° | | |