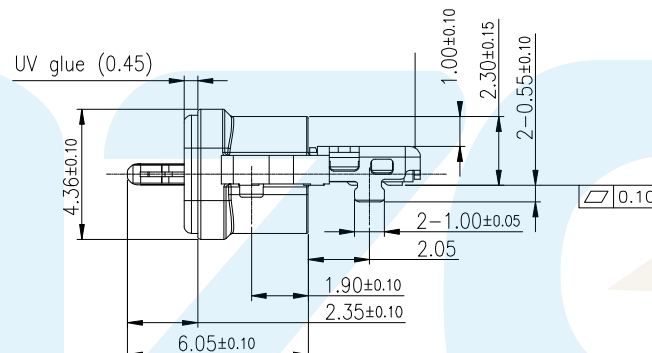
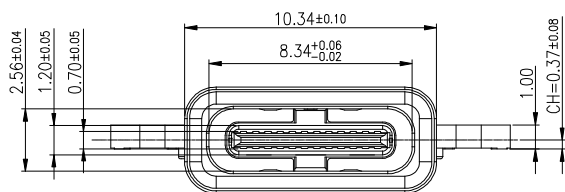
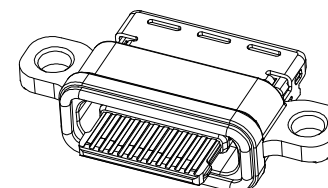
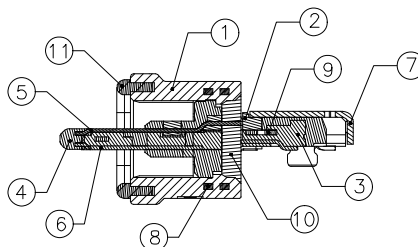
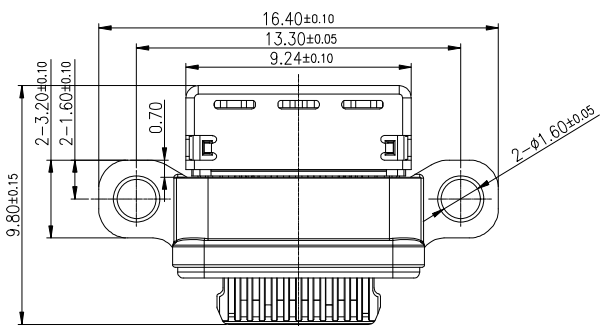


RoHS  
Compliant

ZONE	ECN.N.O.	DESCRIPTION	DRAWING	DATE
A		INITIAL	林生財	2020.02.18

PIN ASSIGNMENTS:

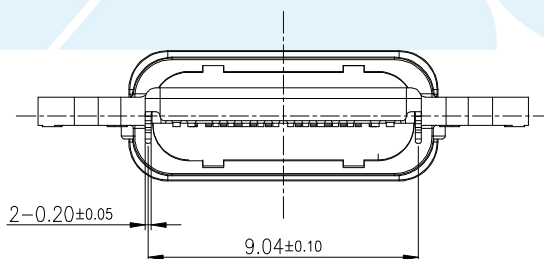
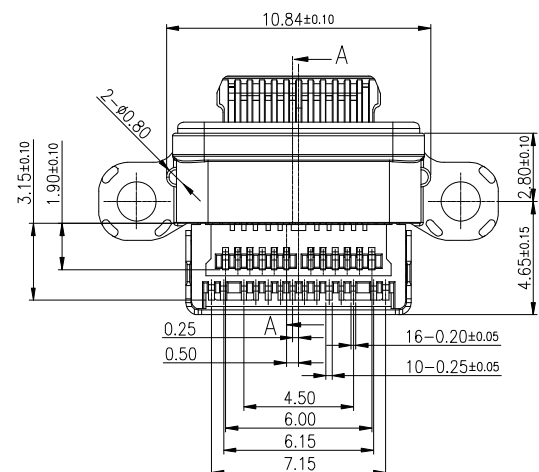
A1	A2	A3	A4	A5	A6	A7	A8	A9	A10	A11	A12
GND	TX1+	TX1-	Vbus	CC1	D+	D-	SBU1	Vbus	RX2-	RX2+	GND
B12	B11	B10	B9	B8	B7	B6	B5	B4	B3	B2	B1
GND	RX1+	RX1-	Vbus	SBU2	D-	D+	CC2	Vbus	TX2-	TX2+	GND



SPECIFICATION:

1. ELECTRICAL CHARACTERISTICS:
  - 1.1 CURRENT RATING: 3A
  - 1.2 CONTACT RATED VOLTAGE: 30V AC
  - 1.3 TEMPERATURE RANGE: -40 °C ~ 85 °C
  - 1.4 CONTACT RESISTANCE: 40 MILLIONHM MAX.
  - 1.5 DIELECTRIC WITHSTANDING VOLTAGE: 100 VAC r.m.s
  - 1.6 INSULATION RESISTANCE: 100 MEGOHMS MIN.
2. MECHANICAL CHARACTERISTICS
  - 2.1 INSERTION FORCE: 5~20N
  - 2.2 EXTRACTION FORCE: Initial: 8~20N; Durability: 6~20N(10000cycles);
  - 2.3 DURABILITY: 10,000CYCLES
- 3.1. IR REFLOW:
 

THE PEAK TEMPERATURE ON THE BOARD SHALL BE MAINTAINED FOR 10 SECONDS AT 260°C.
- 3.2. Waterproof grade: IPX8.



11	GLUE	1pcs	EPOXY	BLACK COLOR
10	Waterproof ring	1pcs	UV Glue	N/A
9	GROUND PLATE	1pcs	STAINLESS STEEL T=0.15mm	SOLDER AREA: 50u" Ni Min.(LAYER 1)
8	IM SHELL	1pcs	STAINLESS STEEL T=0.20mm	CLEAN
7	SUB SHELL	1pcs	STAINLESS STEEL T=0.20mm	All over 50u" Ni Min.(LAYER 1)
6	BOTTOM CONTACT	1set	COPPER ALLOY T=0.12mm	CONTACT AREA: 30u" Au Min.(LAYER 2)
5	TOP CONTACT	1set	COPPER ALLOY T=0.12mm	SOLDER AREA: 1u" Au Min.(LAYER 2), All over 50u" Ni Min.(LAYER 1)
4	INSERT MOLD 3RD	1pcs	HIGH TEMP. THERMOPLASTIC	UL94V-0 / BLACK
3	INSERT MOLD 2ND	1pcs	HIGH TEMP. THERMOPLASTIC	UL94V-0 / BLACK
2	INSERT MOLD 1ST	1pcs	HIGH TEMP. THERMOPLASTIC	UL94V-0 / BLACK
1	HSG IM SHELL	1pcs	HIGH TEMP. THERMOPLASTIC	UL94V-0 / BLACK
ITEM	NAME	Q'TY	MATERIAL	FINISH



LZG INDUSTRIAL CO. LTD

DRAWING:	林生財	DATE:	2020.02.18	SCALE	1:1
CHECK:	李宏鑫	DATE:	2020.02.18	MATERIAL	*
APPROVAL:	楊進堂	DATE:	2020.02.18	DWG. NO.	
DRAWING NO.	ZB48072-24SBAP-A	SHEET			1/2

PART NAME	#TYPE-C	TOLERANCE UNLESS	0.0±0.30	0.±2'	UNIT:
PART NO.	ZB48072-24SBAP-A	OTHERWISE SPECIFIED:	0.00±0.25 0.000±0.15	0.0±1' 0.00±0.5'	