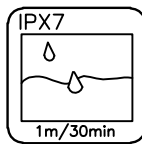
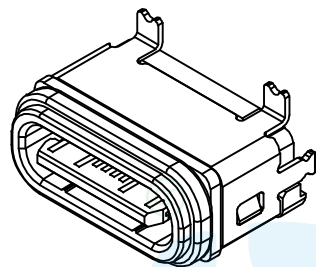
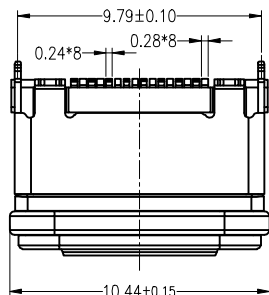


**RoHS**  
Compliant

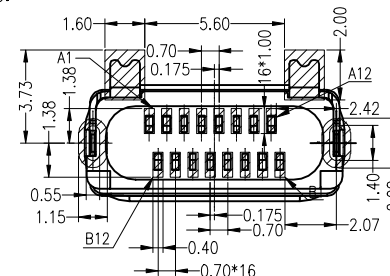
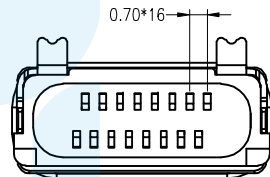
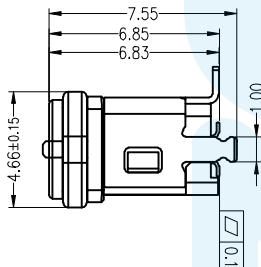
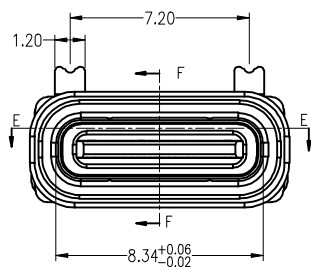


ZONE	EC N. NO.	DESCRIPTION	DRAWING	DATE
A		INITIAL	林生財	2020.02.18

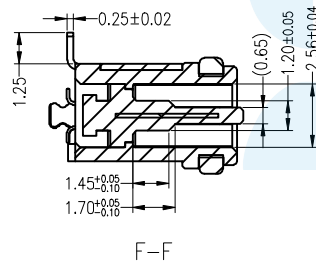
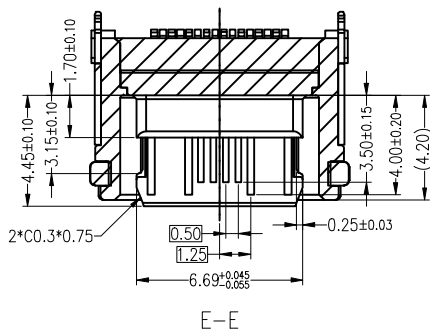
SPECIFICATIONS:  
 1.ELECTRICAL:  
 1-1:CURRENT RATING:  
 VBUS AND GND CONTACTS RATED AT 3A Max  
 VBUS AND GND CONTACTS RATED AT 0.5A Min  
 0.9Amps Max.for all other contact.  
 PARALLELED FOR A TOTAL OF 5A;  
 1-2:INITIAL CONTACT RESISTANCE:40 MEGOHMS  
 1-3:DIELECTRIC WITHSTANDING VOLTAGE:100V AC MIN;  
 2:MECHANICAL CHARACTERISTICS:  
 2-1:MATING FORCE:5~20N  
 2-2:UNMATING FORCE:8~20N(INITIAL),  
 6~20N(AFTER 10000 CYCLES)  
 2-3:FREQUENCY: 500±50 CYCLES/HOUR,10000 CYCLES  
 2-4:OPERATING TEMPERATURE;-40°~80°.  
 2-5:Salt fog Test:48 Hours.  
 3: WATERPROOF: IP-X7.



3D VIEW



RECOMMENDED P.C.B. LAYOUT  
 TOLERANCE UNSPECIFIED ±0.05mm PCB T=1.0MM



Type c Pin Assignments

A1	GND	B12	GND
A4	VBUS	B9	VBUS
A5	CC1	B8	SBU2
A6	DP1	B7	DN2
A7	DN1	B6	DP2
A8	SBU1	B5	CC2
A9	VBUS	B4	VBUS
A12	GND	B1	GND
PIN	SIGNAL NAME	PIN	SIGNAL NAME

6	RUNNING RING	SILICONE	COLOR RED	1
5	MIDDLE PLATE	STAINLESS STEEL T=0.15	-----	1
4	SHELL	STAINLESS STEEL T=0.25	MATTE TIN PLATING	1
3	CONTACT	COPPER ALLOY T=0.12	GOLD PLATING	16
2	OUT SHELL	PA46 94V-0	COLOR BLACK	1
1	HOUSING	PA9T 94V-0	COLOR BLACK	1
No.	DESCRIPTION	MATERIAL	REMARKS	QTY



LZG INDUSTRIAL CO. LTD

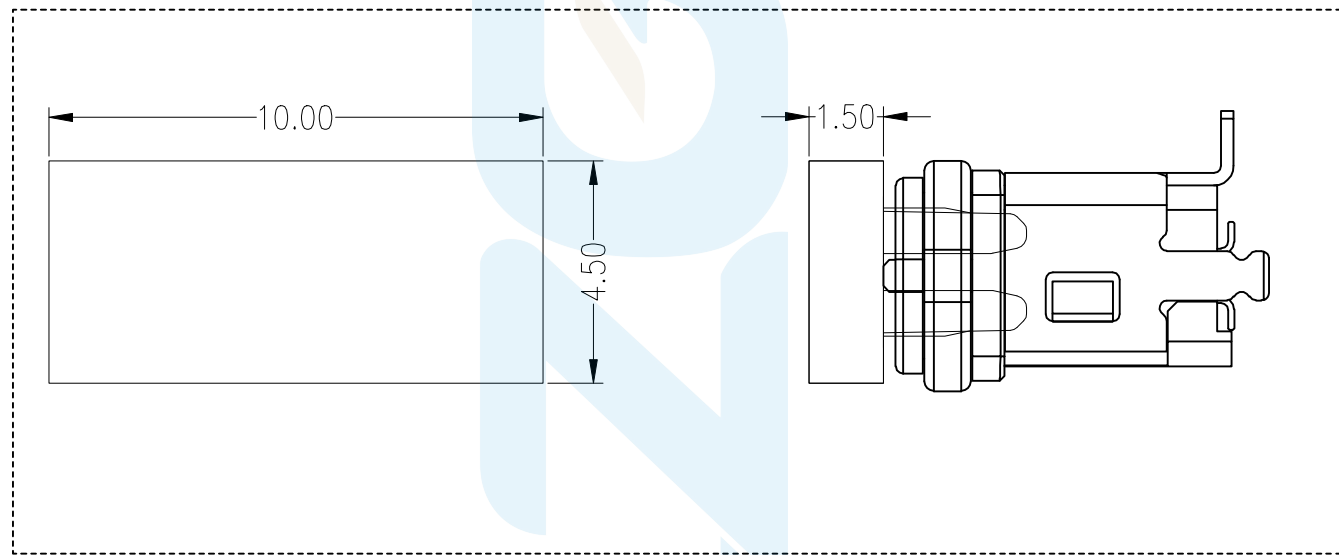
DRAWING:	林生財	DATE:	2020.02.18	SCALE:	1:1
CHECK:	李宏鑫	DATE:	2020.02.18	MATERIAL:	*
APPROVAL:	蔡建宝	DATE:	2020.02.18	DWG. NO.:	
DRAWING NO.:	ZB48034-16FBAP-A			SHEET:	1/2

PART NAME	WATERPROFF TYPE C 16 PIN	TOLERANCE UNLESS	0.0±0.3	0°±2'	UNIT:	mm
PART NO.	ZB48034-16FBAP-A	OTHERWISE SPECIFIED:	0.00±0.1 0.000±0.05	0.0°±1' 0.00°±0.5'		

RoHS  
Compliant

ZONE	EC N.O.	DESCRIPTION	DRAWING	DATE
A		INITIAL	林生財	2020.02.18

# Cap dimensions



LZG INDUSTRIAL CO. LTD

PART NAME		WATERPROFF TYPE C 16 PIN		TOLERANCE UNLESS		0.0±0.3	0.°±2'	UNIT: mm	DRAWING NO.	DRAWING:	林生財	DATE:	2020.02.18	SCALE	1:1
PART NO.		ZB48034-16FBAP-A		OTHERWISE SPECIFIED:		0.00±0.1	0.0°±1'			CHECK:	李宏鑫	DATE:	2020.02.18	MATERIAL	*
						0.000±0.05	0.00°±0.5'		APPROVAL:	杨建宝	DATE:	2020.02.18	DWG. NO.		
									DRAWING NO.	ZB48034-16FBAP-A			SHEET	2/2	