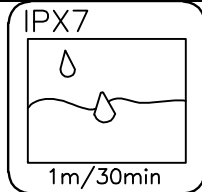


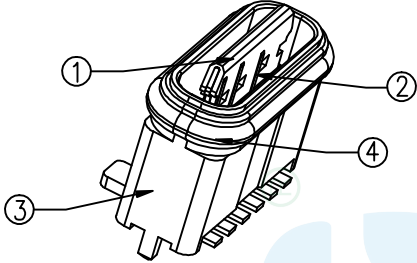
RoHS  
Compliant



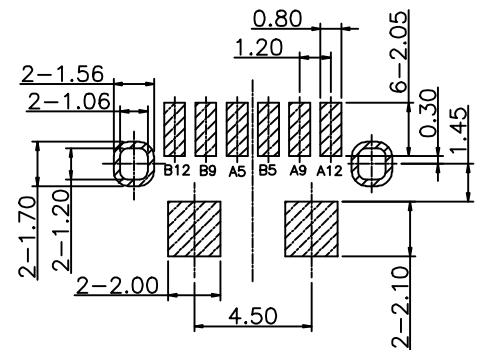
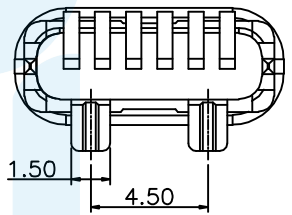
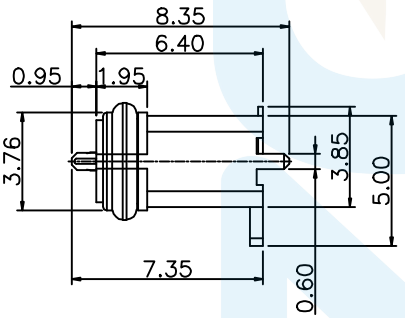
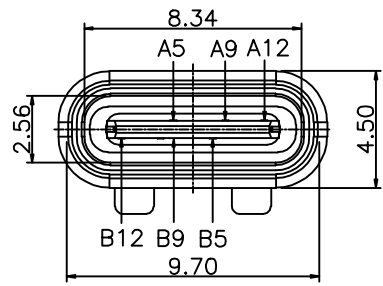
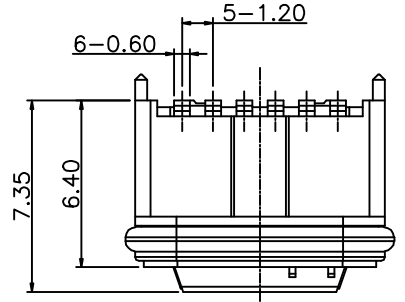
ZONE	E.C.N.O.	DESCRIPTION	DRAWING	DATE
A		INITIAL	林生财	2020.02.18

SPECIFICATIONS:

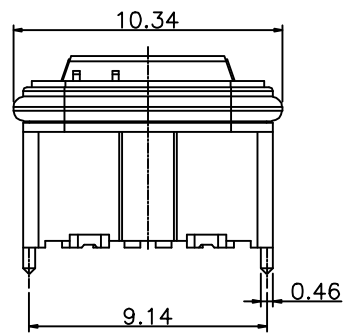
- ELECTRICAL CHARACTERISTICS:
  - RATING: 3A;
  - CONTACT RESISTANCE: 30 mΩ MAX.(INITIAL);
  - DIELECTRIC WITHSTANDING: 100V AC MIN.;
  - INSULATION RESISTANCE: 100MΩ MIN.;
- DURABILITY: 5,000 CYCLES MIN.;
- INSERTION FORCE: 5-20N;
- EXTRACTION FORCE: 8-20N;
- WATER PROOFNESS: THIS PRODUCT IS BASED ON IPX7.
- PLUG INTERFACE DIMENSIONS COMFORM TO USB2.0 SPEC.
- PACKAGING: TAPE & REEL.



3D VIEW



RECOMMENDED P.C.B LAYOUT  
TOP VIEW (TOLRANCE:±0.05)



**结构设计注意:**  
成品使用时, 如有洗面奶泡沫、牙膏、洗手液、脏污液体, 请在TYPE-C口外面再设计一层外壳, 保护TYPE-C表面金手指不会被脏污覆盖。

A5	CC1	B12	GND
A9	VBUS	B9	VBUS
A12	GND	B5	CC2
PIN	SIGNAL NAME	PIN	SIGNAL NAME

5	CAP	HIGH TEMPERATURE PLASTIC	BLACK	1
4	WATERPROOF RING	SILICA GEL	WHITE	1
3	SHELL	ZINC ALLOY	Ni PLATING	1
2	CONTACT	PHOSPHOR BRONZE	Au/Ni PLATING T=0.2mm	6
1	HOUSING	PA10T	COLOR BLACK	1
NO.	DESCRIPTION	MATERIAL	REMARKS	QTY

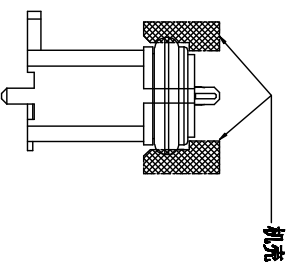
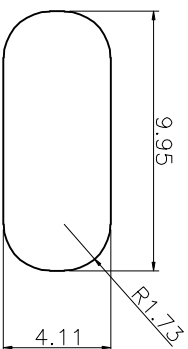
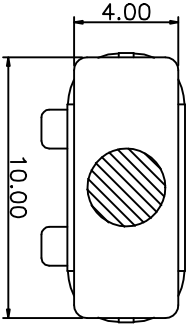
**LZG** LZG INDUSTRIAL CO. LTD

DRAWING:	林生财	DATE:	2020.02.18	SCALE	1:1
CHECK:	李宏鑫	DATE:	2020.02.18	MATERIAL	*
APPROVAL:	杨进宝	DATE:	2020.02.18	DWG. NO.	
DRAWING NO.	ZB48015-06SBAP-A			SHEET	1/2

PART NAME	WATERPROFF TYPE C 6PIN	TOLERANCE UNLESS	0.0±0.3	0.±2'	UNIT: mm
PART NO.	ZB48015-06SBAP-A	OTHERWISE SPECIFIED:	0.00±0.2 0.000±0.05	0.0'±1' 0.00'±0.5'	

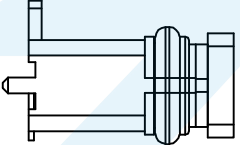
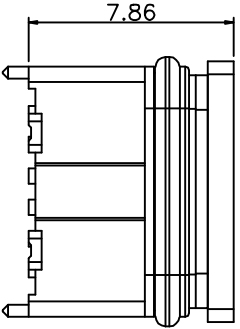
RoHS  
Compliant

C		B		A	
ZONE	E.C.N. NO.	DESCRIPTION	DRAWING	DATE	
A		INITIAL	林生财	2020.02.18	



组装示意图

开孔尺寸参考  
组装外壳时需要打环保润滑油



VACUUM AREA

**LZG**

LZG INDUSTRIAL CO., LTD

PART NAME WATERPROOF TYPE C 6PIN  
PART NO. ZB48015-06SBAP-A

TOLERANCE UNLESS OTHERWISE SPECIFIED: 0.00±0.3  
0.00±0.2  
0.00±0.05

0.1±0.2  
0.0±0.1  
0.00±0.5

UNIT: mm



DRAWING: 林生财  
CHECK: 李宏鑫  
APPROVAL: 杨进宝  
DRAWING NO. ZB48015-06SBAP-A

DATE: 2020.02.18  
DATE: 2020.02.18  
DATE: 2020.02.18

SCALE 1:1  
MATERIAL \*  
DWG. NO.  
SHEET 2/2

F

E

D

C

B

A

1

2

3

4

1

2

3

4