

RoHS
Compliant

ZONE	EC N. NO.	DESCRIPTION	DRAWING	DATE
A		INITIAL	林生财	2020.02.18

技术规格:

1. 电气特性:

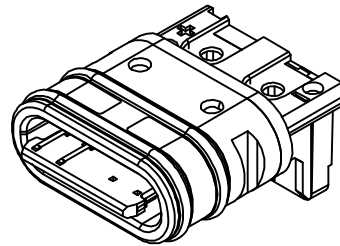
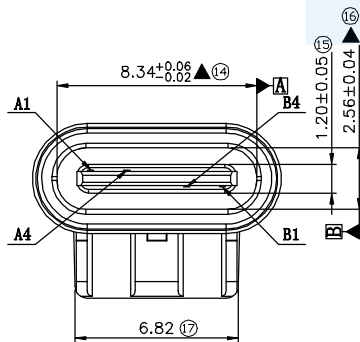
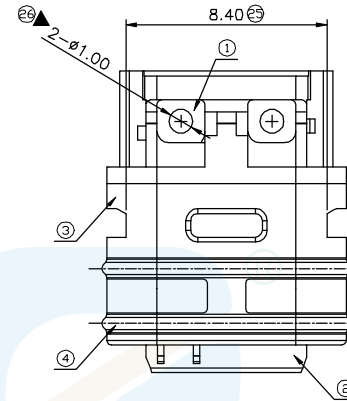
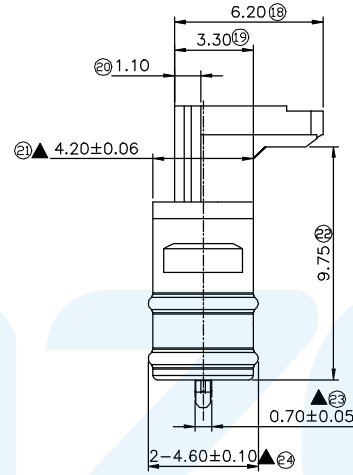
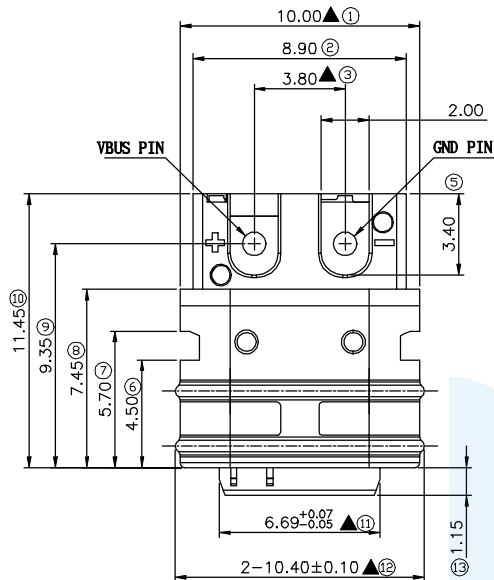
耐压: 100V AC/60S/0.5mA;
绝缘阻抗: 100MΩ/MIN, 500V DC/MIN;
接触阻抗: 40mΩ/MAX (VBUS/GND), 测试后变化10mΩ;
额定电流: 2A 温度: 30° /MAX;

2. 机械特性:

插入力: 5~20N;
拔出力: 8~20N, 测试后拔出力6~20N;
耐久次数: 1000次;

3. 标示 ▲为重点尺寸, 首件必须检测; 标示 ⊙为FAI尺寸;

4. 使用物料及制程符合“GP”文件对环境物料管理标准.



3D VIEW

PIN DEFINE:

Pin	Signal Name	Description	Mating Sequence	Pin	Signal Name	Description	Mating Sequence
A1	GND	Ground return	First	B4	GND	Ground return	First
A4	Vbus	Bus Power	First	B1	Vbus	Bus Power	First

4	RING	TPE		COLOR BLACK	1
3	Molding 2	PC		COLOR BLACK	1
2	Molding 1	PA9T		COLOR BLACK	1
1	Terminal	C7025 T=0.20mm		Ni:50u", Au:1u", Sn:80u"	4
NO.	DESCRIPTION	MATERIAL		REMARKS	QTY



LZG INDUSTRIAL CO. LTD

DRAWING:	林生财	DATE:	2020.02.18	SCALE	1:1
CHECK:	李宏鑫	DATE:	2020.02.18	MATERIAL	*
APPROVAL:	杨进宝	DATE:	2020.02.18	DWG. NO.	
DRAWING NO.	ZB48002-04DBAP-A			SHEET	1/1

PART NAME	WATERPROFF TYPE C 4PIN	TOLERANCE UNLESS	0.0±0.25	0.°±2°	UNIT:
PART NO.	ZB48002-04DBAP-A	OTHERWISE SPECIFIED:	0.00±0.15 0.000±0.10	0.0°±1° 0.00°±0.5°	