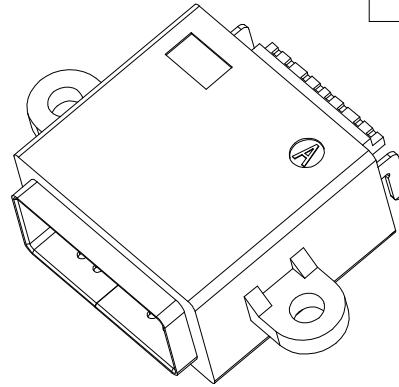
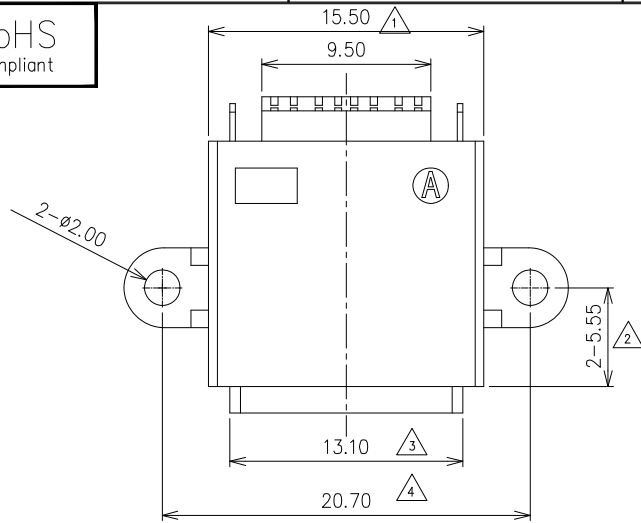


RoHS
Compliant

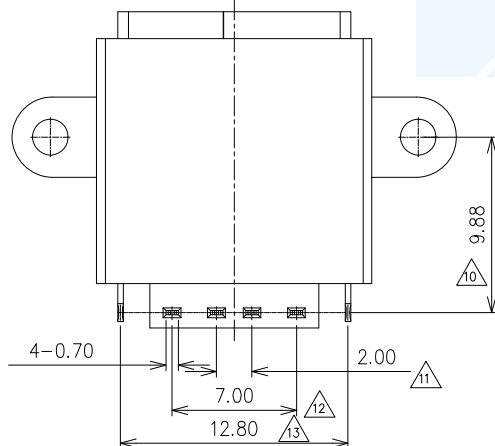
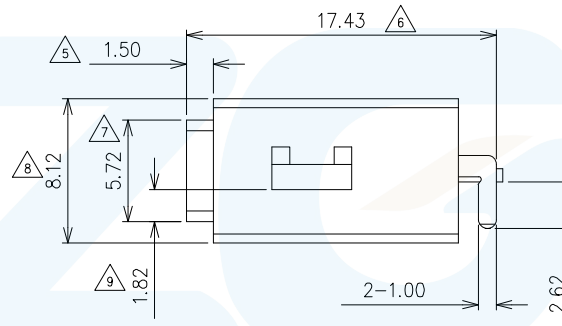
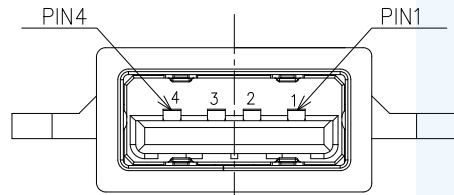
| ZONE | EC N. NO. | DESCRIPTION | DRAWING | DATE |
|------|-----------|-------------|---------|------------|
| A | | INITIAL | 林生財 | 2023.12.29 |



NOTES:

SPECIFICATION:

1. CURRENT RATING: 3.0A MAX
2. DIELECTRIC WITHSTAND VOLTAGE: 100VAC
3. TEMPERATURE RANGE: -30 °C ~ 85 °C
4. CONTACT RESISTANCE: 40 MILLIONHM MAX
5. INSULATION RESISTANCE: 100 MEGOHMS MIN.
6. INSERTION FORCE : 8N~35N
7. UNMATING FORCE: 8N~35N
8. DURABILITY: 1500 CYCLES



| 4 | SHELL | 1 | SUS 301 1/4H |
|------|---------------|------|-------------------------------------|
| 3 | PLASTIC SHELL | 1 | PA9T & LCP (G.F30%) BLACK |
| 2 | CONTACT | 4 | BRASS C2680-EH Au/Ni Plating T=0.25 |
| 1 | HOUSING | 1 | PA10T (G.F30%) BLACK |
| ITEM | PART NAME | Q'TY | FINISH |



LZG INDUSTRIAL CO. LTD

| | | | | | | |
|-----------|------------------------|----------------------|-------------------------|---------------------|----------|--|
| PART NAME | SUBSIDE USB 2.0 A TYPE | TOLERANCE UNLESS | 0.0±0.25 | 0.1±2° | UNIT: mm | |
| PART NO. | ZB40006-06DBAP-A | OTHERWISE SPECIFIED: | 0.00±0.15 0.000±0.05 | 0.0±1° 0.00±0.5° | | |

| | | | | | |
|-------------|------------------|-------|------------|----------|-----|
| DRAWING: | 林生財 | DATE: | 2023.12.29 | SCALE | 1:1 |
| CHECK: | 李宏鑫 | DATE: | 2023.12.29 | MATERIAL | * |
| APPROVAL: | 楊進宝 | DATE: | 2023.12.29 | DWG. NO. | |
| DRAWING NO. | ZB40006-06DBAP-A | | | SHEET | 1/1 |