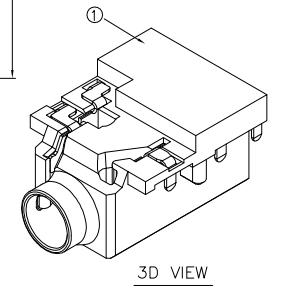
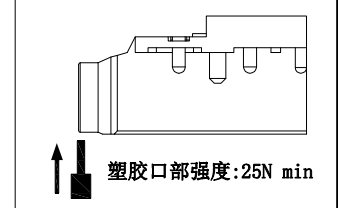
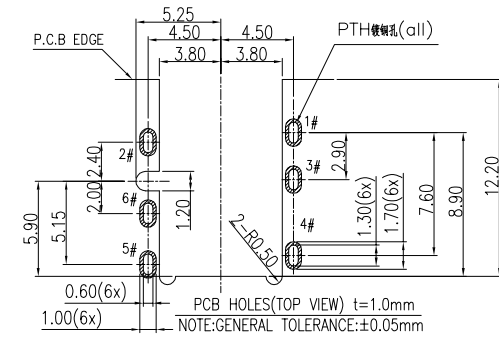
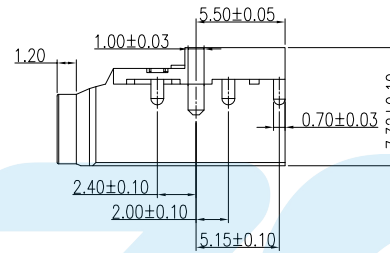
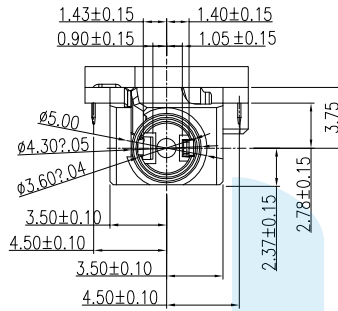
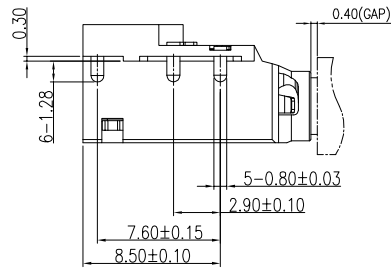
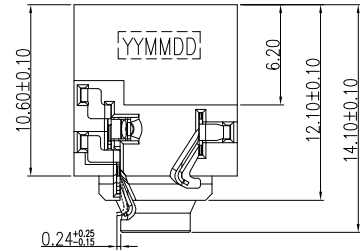


RoHS
Compliant

ZONE	ECN.N.O.	DESCRIPTION	DRAWING	DATE
A		INITIAL	林生财	2023.11.24

DATE CODE:
YY MM DD
DAY
MONTH
YEAR



NOTES:

- MATERIAL: SEE "TABLE 1";
- FINISH: SEE "TABLE 1";
- ELECTRICAL:
 - VOLTAGE RATING: 12 VAC RMS;
 - CURRENT RATING: 0.5 AMP;
 - CONTACT RESISTANCE: 50mΩ Max.(Initial), CHANGE 10mΩ Max.(After Life test);
 - INSULATION RESISTANCE: 1000 MΩ Min., 500VDC.(Initial), 100 MΩ Min., 500VDC.(After Humidity test);
 - WITHSTAND VOLTAGE: 500 VAC RMS 50(60)Hz, 1 minute;
- MECHANICAL:
 - MATING FORCE: 2.0Kgf MAX.;
 - UNMATING FORCE: 0.5Kgf MIN.;
 - OPERATING LIFE: 5000 CYCLES MIN.;
- ENVIRONMENTAL:
 - OPERATION: -30°C~+80°C.
 - Salt Spray: 48Hours.

TABLE 1:

NO.	PART NAME	QTY	MATERIAL	DESCRIPTION	REMARK
⑤	Contact_5	1	C5210		T=0.20mm
⑦	Contact_6	1	C5210		T=0.20mm
⑥	Contact_4	1	C5210		T=0.20mm
③	Contact_3	1	C5210		T=0.20mm
④	Contact_2	1	C5210		T=0.20mm
②	Contact_1	1	C5210		T=0.20mm
②	Separator	1	PA10T	BLACK,UL94V-0	
①	Housing	1	PA10T	BLACK,UL94V-0	

PLUG SPEC	SCHEMATIC	AFTER INSERT SCHEMATIC	TESTING PLUG



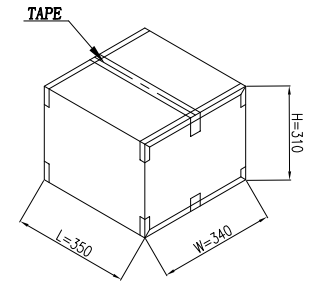
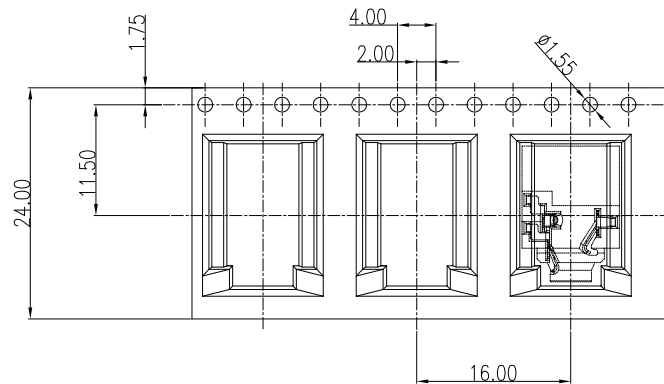
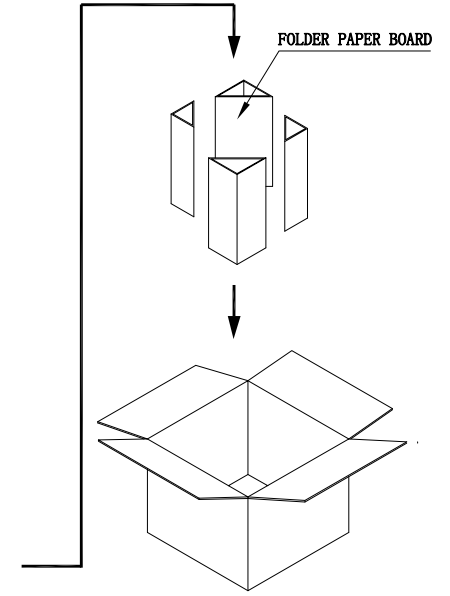
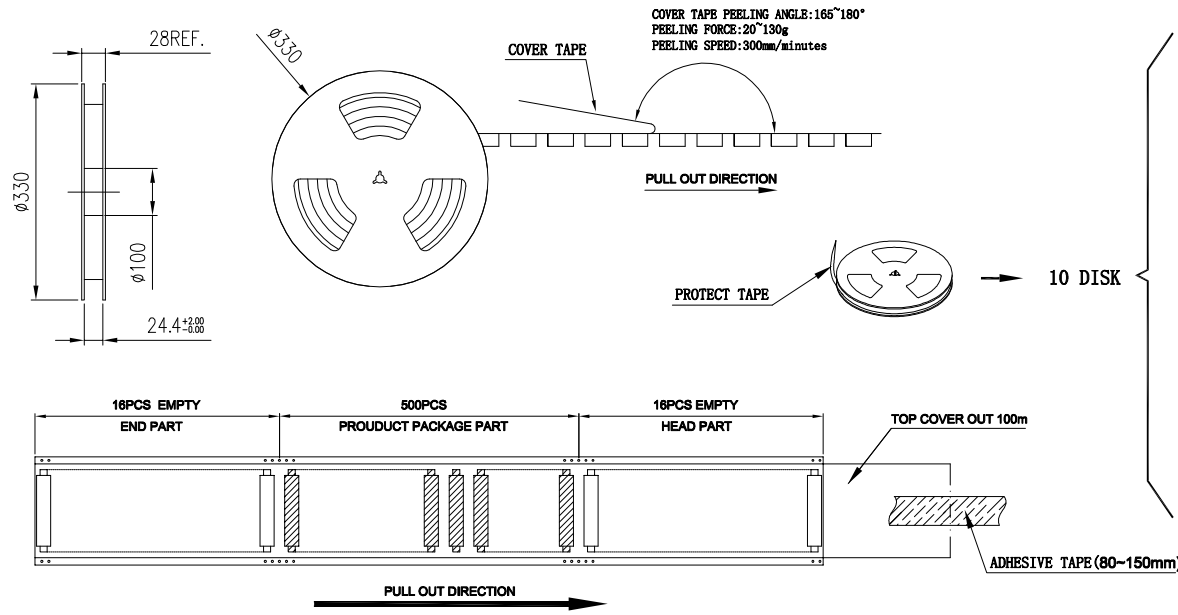
LZG INDUSTRIAL CO. LTD

DRAWING:	林生财	DATE:	2023.11.24	SCALE:	1:1
CHECK:	李宏鑫	DATE:	2023.11.24	MATERIAL:	*
APPROVAL:	杨进宝	DATE:	2023.11.24	DWG. NO.:	
DRAWING NO.:	ZB23029-06FBAP-A	SHEET:			1/2

PART NAME	ø3.50mm AUDIO JACK	TOLERANCE UNLESS	0.0±0.25	0.°±2°	UNIT:
PART NO.	ZB23029-06FBAP-A	OTHERWISE SPECIFIED:	0.00±0.15 0.000±0.05	0.0°±1° 0.00°±0.5°	

RoHS
Compliant

ZONE	ECN . NO.	DESCRIPTION	DRAWING	DATE
A		INITIAL	林生财	2023.11.24



CARTON SIZE

1 CARTON = 10 REEL = 5000 PRODUCT



LZG INDUSTRIAL CO. LTD

PART NAME		ø3.50mm AUDIO JACK		TOLERANCE UNLESS	0.0±0.25	0.°±2°	UNIT:	DRAWING:	林生财	DATE:	2023.11.24	SCALE	1:1
PART NO.		ZB23029-06FBAP-A		OTHERWISE SPECIFIED:	0.00±0.15	0.0°±1°		APPROVAL:	李宏鑫	DATE:	2023.11.24	MATERIAL	*
					0.000±0.05	0.00°±0.5°	DRAWING NO.	ZB23029-06FBAP-A		DATE:	2023.11.24	DWG. NO.	
								SHEET		2/2			