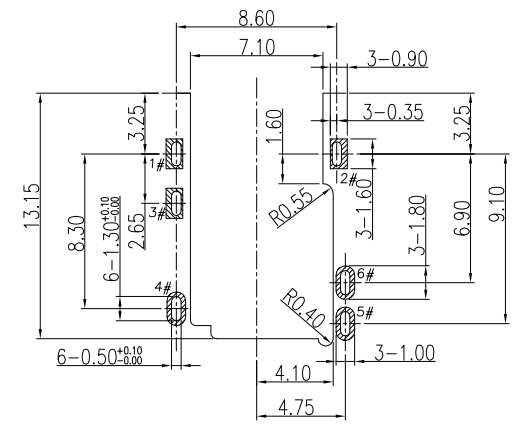
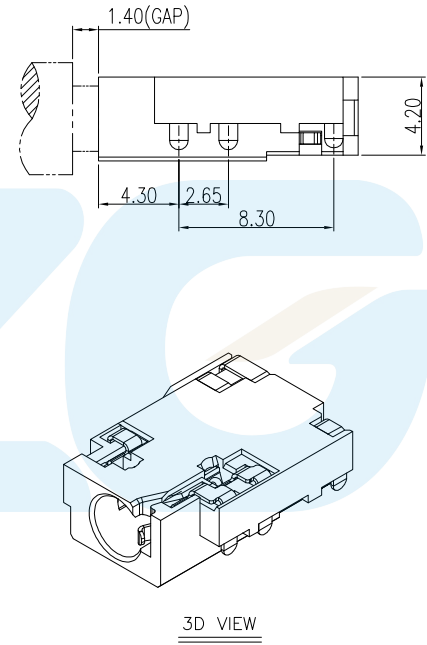
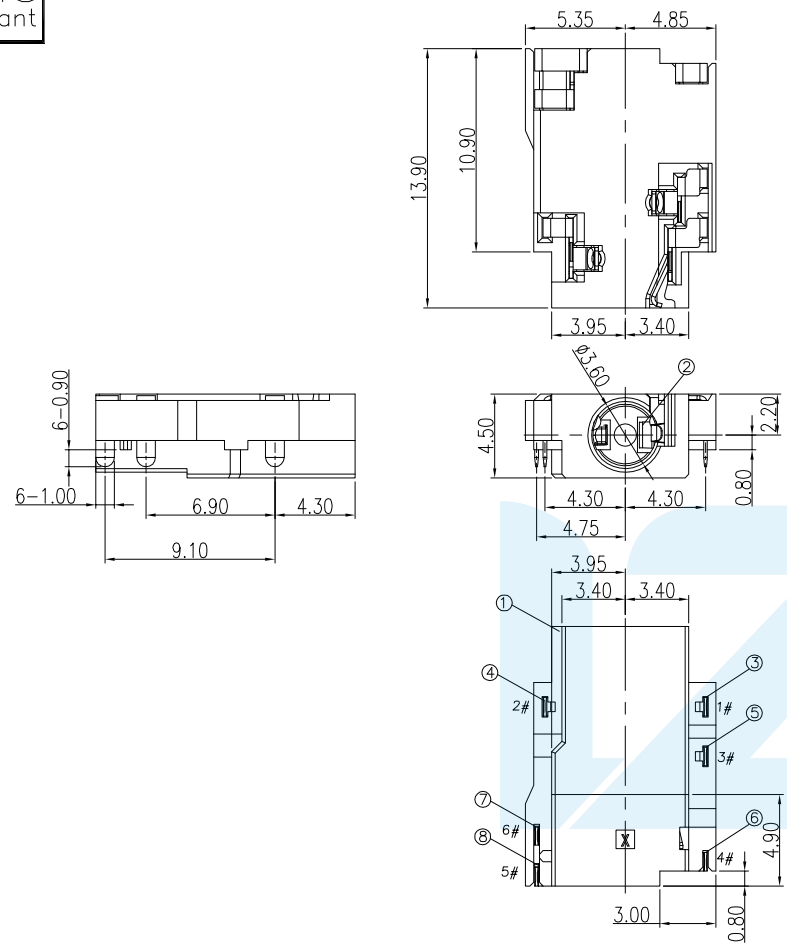


RoHS
Compliant

ZONE	E C N . N O .	DESCRIPTION	DRAWING	DATE
A		INITIAL	林生财	2023.11.24



- NOTES:
- MATERIAL: SEE "TABLE 1";
 - FINISH: SEE "TABLE 1";
 - ELECTRICAL:
 - VOLTAGE RATING: 12 VAC RMS;
 - CURRENT RATING: 0.5 AMP;
 - CONTACT RESISTANCE: 50mΩ Max.(Initial), 100mΩ Max.(After Life test);
 - INSULATION RESISTANCE: 1000 MΩ Min., 500VDC.(Initial), 100 MΩ Min., 500VDC.(After Humidity test);
 - WITHSTAND VOLTAGE: 500 VAC RMS 50(60)Hz, 1 minute;
 - MECHANICAL:
 - MATING FORCE: 3.0Kgf MAX.;
 - UNMATING FORCE: 0.3Kgf MIN.;
 - OPERATING LIFE: 5000 CYCLES MIN.;
 - ENVIRONMENTAL:
 - OPERATION: -30°C~+80°C.

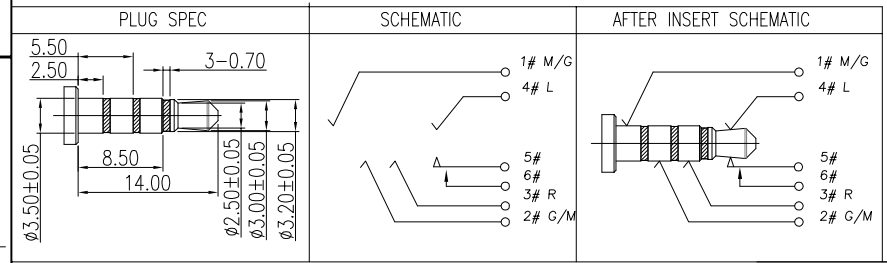


TABLE 1:

NO.	PART NAME	QTY	MATERIAL	DESCRIPTION	REMARK
⑧	Contact_5	⑤	1	Copper Alloy	T=0.20mm
⑦	Contact_6	⑥	1	Copper Alloy	T=0.20mm
⑥	Contact_4	④	1	Copper Alloy	T=0.20mm
⑤	Contact_3	③	1	Copper Alloy	T=0.20mm
④	Contact_2	②	1	Copper Alloy	T=0.20mm
③	Contact_1	①	1	Copper Alloy	T=0.20mm
②	Separator	1	HIGH TEMP	BLACK,UL94V-0	
①	Housing	1	HIGH TEMP	BLACK,UL94V-0	

CONTACT AREA: GF
SOLDER AREA: GF, Ni
50u" OVER ALL



LZG INDUSTRIAL CO. LTD

DRAWING:	林生财	DATE:	2023.11.24	SCALE:	1:1
CHECK:	李宏鑫	DATE:	2023.11.24	MATERIAL:	*
APPROVAL:	杨进宝	DATE:	2023.11.24	DWG. NO.:	
DRAWING NO.:	ZB23026-06FBAP-A			SHEET	1/2

PART NAME	ø3.50mm PHONE JACK	TOLERANCE UNLESS	0.0±0.25	0.°±2°	UNIT:
PART NO.	ZB23026-06FBAP-A	OTHERWISE SPECIFIED:	0.00±0.15 0.000±0.05	0.0°±1° 0.00°±0.5°	

