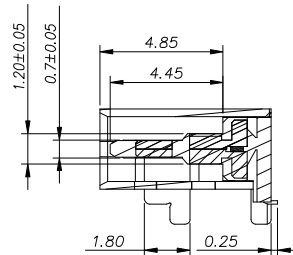
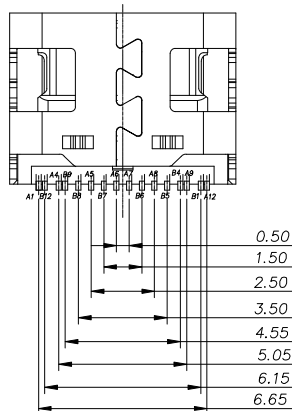
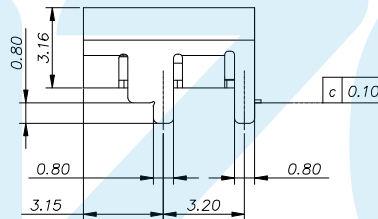
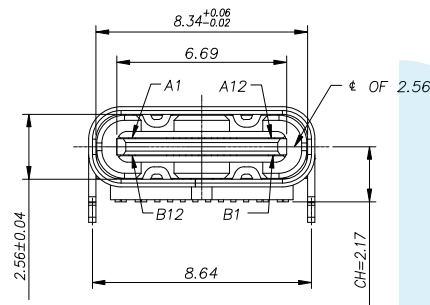
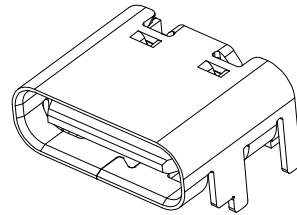
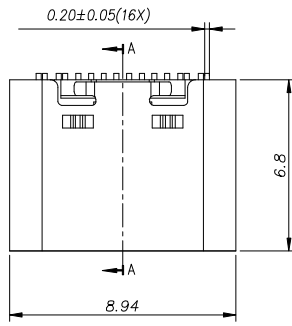


RoHS
Compliant

ZONE	E C N . N O .	DESCRIPTION	DRAWING	DATE
A		INITIAL	林生财	2023.12.29



NOTE:

- 1.MATERIAL SPECIFICATION:
 - 1.HOUSING:HIGH TEMPERATURE RESISTANT PLASTIC,UL94 V-0(LCP).
 - 2.CONTACTS:COPPER ALLOY(C18150)
 - 3.MID PLATE: STAINLESS STEEL(SUS301)
 - 4.FRONT SHELL: STAINLESS STEEL(SUS304)
- 2.PLATING SPECIFICATION:
 - 2-1.CONTACTS:
 - Ni 50u" MIN. UNDER PLATED OVER ALL.
 - Au 3u" ON THE FUNCTIONAL AREA OF CONTACT.
 PLATING SPECIFICATIONS OF THE SOLDER AREA
 - 2-2.FRONT SHELL:
 - Ni 30u" MIN. UNDER PLATED OVER ALL.
 - 2-3.MID PLATE:
 - CLEAR ONLY
- 3.MECHANICAL PERFORMANCE,
 - 3-1.INSERTION FORCE: 0.5~2.0kgf.
 - 3-2.REMOVAL FORCE: 0.8kgf~2.0kgf.
 - 3-3.DURABILITY: 10000 CYCLES.
- 4.ELECTRICAL PERFORMANCE,
 - 4-1. CURRENT RATING:5.0A
VOLTAGE RATING:5.0V
 - 4-2. LLCR:
 - VBUS & GND PINS AND OTHER PINS: 40m次/PIN MAX.
 - SHIELD: 50m次/MAX.
 - LLCR MAX. CHANGE OF ALL PINS: 10m次
 - 4-3.INSULATION RESISTANCE: 100M次 MIN
 - 4-4.DIELECTRIC WITHSTAND VOLTAGE,AC 100V FOR 1 MINUTE.
5. ENVIRONMENTAL PERFORMANCE:
 - OPERATING TEMPERATURE: -25~C~+85~C.
- 6.IR REFLOW:
 - THE PEAK TEMPERATURE ON THE BOARD SHALL BE MAINTAINED FOR 10 SECONDS AT 260°C.



LZG INDUSTRIAL CO. LTD

PART NAME	USB CF 16 PIN(L=6.8) TOP MOUNT(CH=2.17)	TOLERANCE UNLESS	0.0±0.25	0.1±2*	UNIT:	mm
PART NO.	ZB48077-16DBAP-A	OTHERWISE SPECIFIED:	0.00±0.15 0.000±0.05	0.0±1* 0.00±0.5*		

DRAWING:	林生财	DATE:	2023.12.29	SCALE	1:1
CHECK:	李宏鑫	DATE:	2023.12.29	MATERIAL	*
APPROVAL:	杨进宝	DATE:	2023.12.29	DWG. NO.	
DRAWING NO.	ZB48077-16DBAP-A			SHEET	1/1