

RoHS
Compliant

F

E

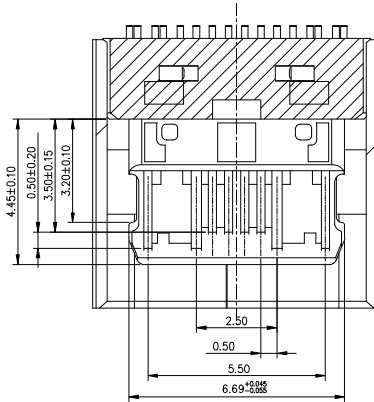
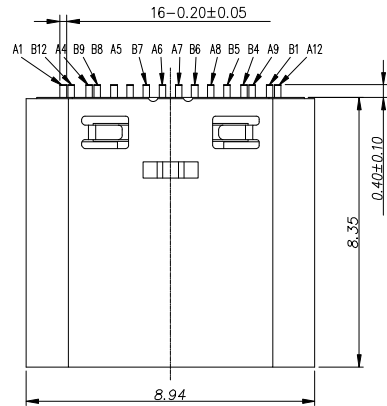
D

C

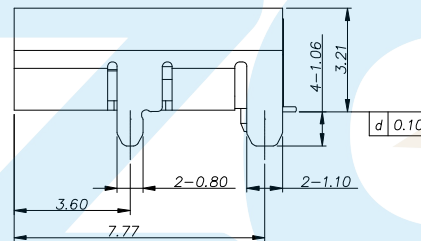
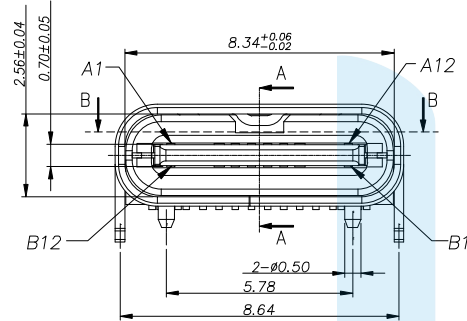
B

A

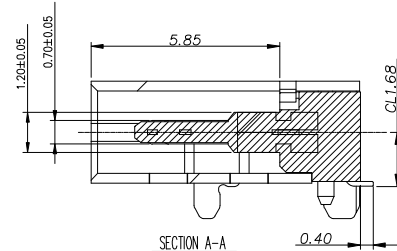
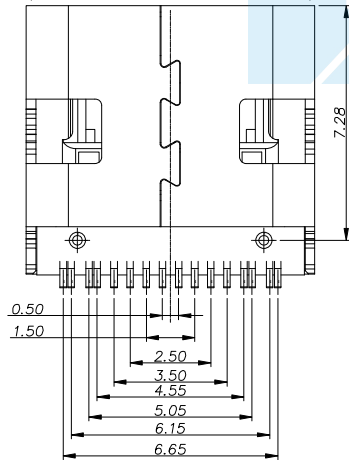
ZONE	ECN . NO.	DESCRIPTION	DRAWING	DATE
A		INITIAL	林生財	2023.10.24



SECTION B-B
SCALE 1:1



SECTION A-A
SCALE 1:1



NOTE:

- MATERIAL SPECIFICATION:
 - HOUSING: HIGH TEMPERATURE RESISTANT PLASTIC, UL94 V-0.
 - CONTACTS: COPPER ALLOY
 - MID PLATE: STAINLESS STEEL
- PLATING SPECIFICATION:
 - CONTACTS:
 - Ni 50u" MIN. UNDER PLATED OVER ALL.
 - Au PLATED ON THE FUNCTIONAL AREA OF CONTACT. (GOLD PLATING THICKNESS FOLLOW THE P/N)
 - GOLD FLASH PLATING ON SOLDER AREA
 - FRONT SHELL:
 - Ni 30u" MIN. UNDER PLATED OVER ALL.
- MECHANICAL PERFORMANCE,
 - INSERTION FORCE: 0.5~2.0kgf.
 - REMOVAL FORCE: 0.8kgf~2.0kgf.
 - DURABILITY: 10000 CYCLES.
- ELECTRICAL PERFORMANCE,
 - CURRENT RATING: 5A
VOLTAGE RATING: 20V
 - INSULATION RESISTANCE: 100MΩ MIN
 - DIELECTRIC WITHSTAND VOLTAGE, AC 100V FOR 1 MINUTE.
 - LOW CONTACT RESISTANCE: INITIAL 40MΩ
AFTER 50MΩ
- ENVIRONMENTAL PERFORMANCE:
 - OPERATING TEMPERATURE: -30°C~+80°C.
- IR REFLOW:
 - THE PEAK TEMPERATURE ON THE BOARD SHALL BE MAINTAINED FOR 10 SECONDS AT 260°C.



LZG INDUSTRIAL CO. LTD

PART NAME	USB TYPE C 16PIN, L=8.35mm 数上型	TOLERANCE UNLESS	0.0±0.25	0.1±2'	UNIT: mm	
PART NO.	ZB48076-16SBAP-A	OTHERWISE SPECIFIED:	0.00±0.15 0.000±0.05	0.0±1' 0.00±0.5'		

DRAWING:	林生財	DATE:	2023.10.24	SCALE	1:1
CHECK:	李宏鑫	DATE:	2023.10.24	MATERIAL	*
APPROVAL:	楊進宝	DATE:	2023.10.24	DWG. NO.	
DRAWING NO.	ZB48076-16SBAP-A			SHEET	1/1

F

E

D

C

B

A