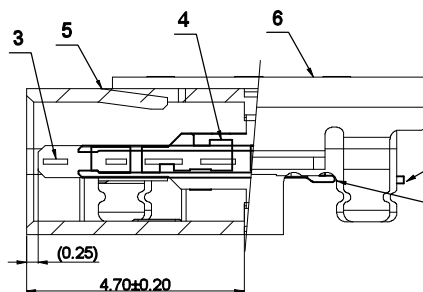
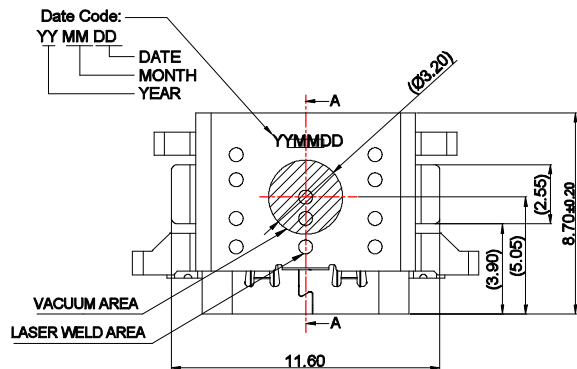


RoHS
Compliant

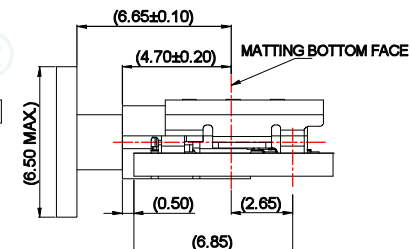
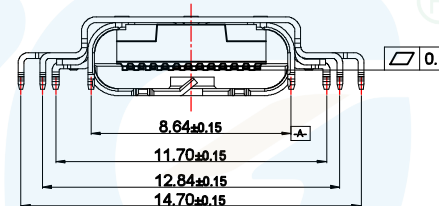
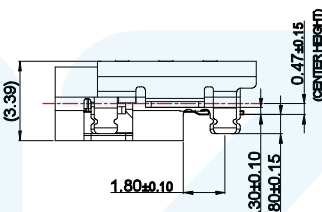
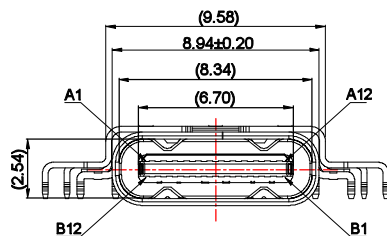
ZONE	E C N . N O	DESCRIPTION	DRAWING	DATE
A		INITIAL	林生财	2020.02.18



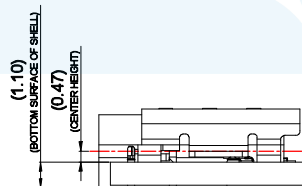
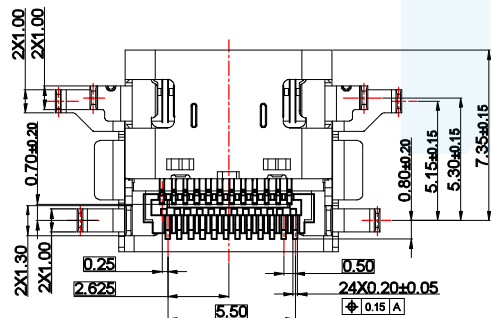
SECTION A-A(剖视图A-A)
SCALE 2:1 (比例 2:1)

NOTES/注释:

- MATERIAL/材料: SEE BILL OF MATERIAL /见材料清单
- COPLANARITY/共面度: 0.10 Max.
- As for welding, there are possibilities that the number of welding and position change 焊接, 也有焊接数量和位置变化的可能性。
- Discoloration might occur at welded area 焊接区域可能出现变色
- Shell length is shorter compare to reference value of USB Type-C standard. Please check mating depth with case(housing) to satisfy mechanical function. 外壳长度比USB Type-C标准的参考值更短, 请检查与外壳的配合深度, 以满足机械功能
- There is possibility that the shell discolors after heating 壳体加热后有变色的可能
- Laser welds may be discolor also the weld may swell. 激光焊接可能会变色。焊缝也可能膨胀



MATED CONDITION(REF.)



MOUNTING CONDITION(REF.)

Pin定义:

A1	A2	A3	A4	A5	A6	A7	A8	A9	A10	A11	A12
GND	TX1+	TX1-	Vbus	CC1	D+	D-	SBU1	Vbus	RX2-	RX2+	GND
GND	RX1+	RX1-	Vbus	SBU2	D-	D+	CC2	Vbus	TX2-	TX2+	GND
B12	B11	B10	B9	B8	B7	B6	B5	B4	B3	B2	B1

NO.	DESCRIPTION	MATERIAL	REMARKS	QTY
6	OUT SHELL	STAINLESS STEEL , T=0.25	NICKEL PLATING OVERALL	1
5	INT SHELL	STAINLESS STEEL , T=0.30	NICKEL PLATING OVERALL	1
4	MAIN HOUSING	HIGH TEMPERATURE	COLOR BLACK	1
3	MID PLATE	STAINLESS STEEL, T=0.15		1
2	BOTTOM TERMINAL	COPPER ALLOY , T=0.12	MATING SIDE:Gold Plating; SOLDER TAIL:Gold FLASH, 30u" NICKEL OVERALL.	12
1	TOP TERMINAL	COPPER ALLOY , T=0.12		12



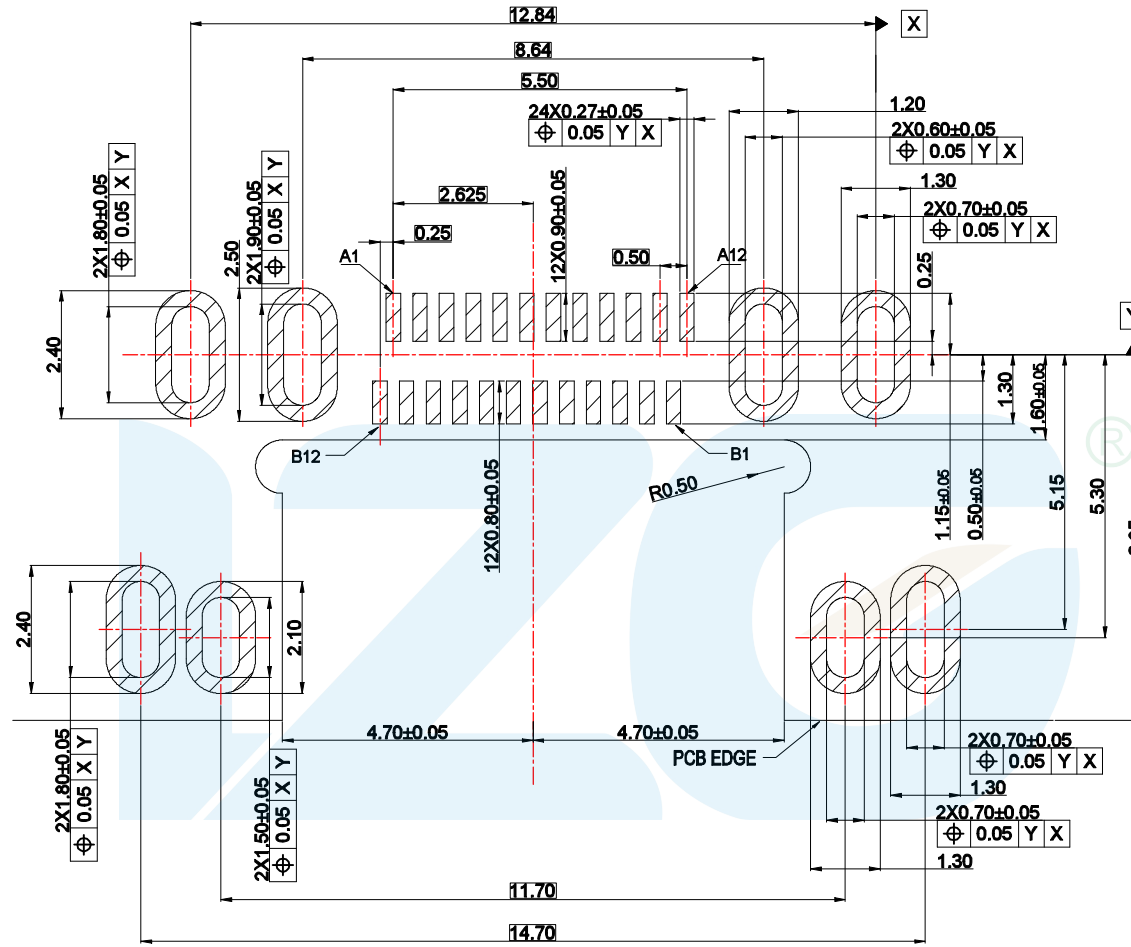
LZG INDUSTRIAL CO. LTD

PART NAME	TYPE C 24 PIN	TOLERANCE UNLESS	0.0±0.30	0.°±2°	UNIT:
PART NO.	ZB48064-24SBAP-A	OTHERWISE SPECIFIED:	0.00±0.25 0.000±0.15	0.0°±1° 0.00°±0.5°	

DRAWING:	林生财	DATE:	2020.02.18	SCALE	1:1
CHECK:	李宏鑫	DATE:	2020.02.18	MATERIAL	*
APPROVAL:	杨进宝	DATE:	2020.02.18	DWG. NO.	
DRAWING NO.	ZB48064-24SBAP-A			SHEET	1/2

RoHS
Compliant

ZONE	E.C.N. NO.	DESCRIPTION	DRAWING	DATE
A		INITIAL	林生财	2020.02.18



Recommended PCB Layout(Top View)/ 推荐的PCB布局(前视图)
General Tolerances:±0.05/ 一般公差:±0.05



LZG INDUSTRIAL CO. LTD

DRAWING:	林生财	DATE:	2020.02.18	SCALE	1:1
CHECK:	李宏鑫	DATE:	2020.02.18	MATERIAL	*
APPROVAL:	杨进宝	DATE:	2020.02.18	DWG. NO.	
DRAWING NO.	ZB48064-24SBAP-A			SHEET	2/2

PART NAME	TYPE C 24 PIN	TOLERANCE UNLESS	0.0±0.30	0.°±2°	UNIT:
PART NO.	ZB48064-24SBAP-A	OTHERWISE SPECIFIED:	0.00±0.25 0.000±0.15	0.0°±1° 0.00°±0.5°	