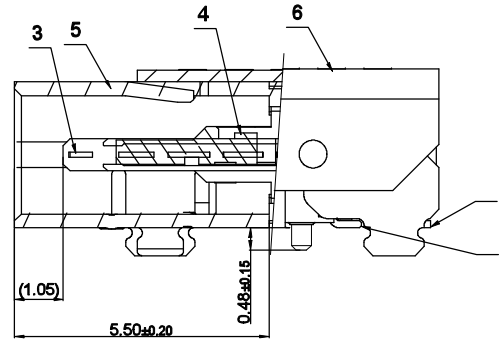
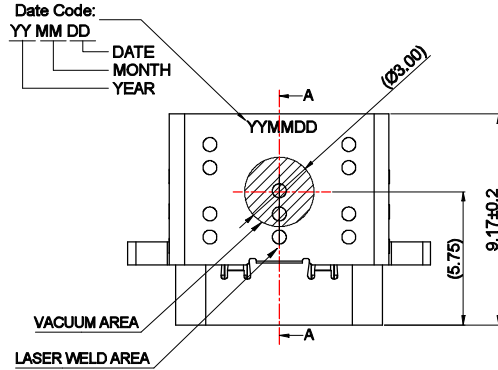
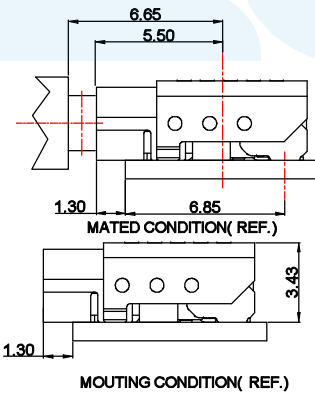
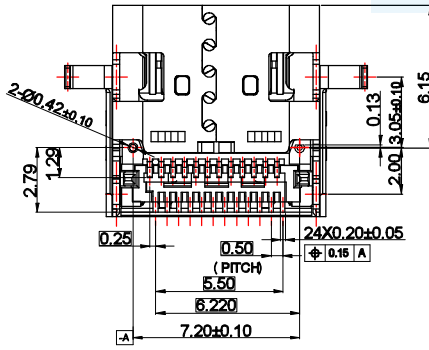
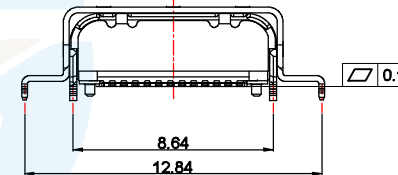
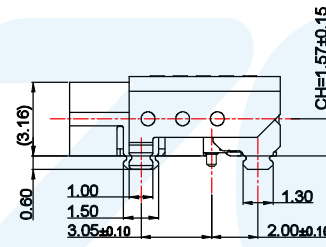
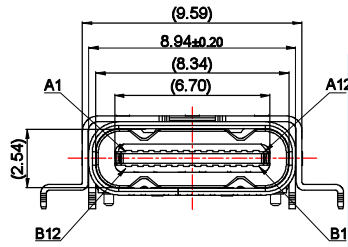


RoHS  
Compliant

ZONE	E.C.N. NO.	DESCRIPTION	DRAWING	DATE
A		INITIAL	林生财	2020.02.18



- NOTES/注释:**
- MATERIAL/材料:** SEE TABLE/见下表
  - GENERAL SPECIFICATION/通用特性:**
    - COPLANARITY/共面度:** 0.10 Max.
    - CURRENT RATING: 5A/额定电流:** 5安培
    - CONTACT RESISTANCE: 40m Ω MAX (INITIAL). INSULATION RESISTANCE: 100M Ω Min**  
接触电阻: 40毫欧最大(初始值) / 绝缘电阻: 100MΩ Min
    - DIELECTRIC WITHSTANDING VOLTAGE: 100 VAC**  
耐电压: 100伏交流
    - MECHANICAL CHARACTERISTICS:**
      - INSERTION FORCE: 5~20N EXTRACTION FORCE: 8~20N**  
力学特性: 初始插入力: 5~20N 拔出力: 8~20N
      - AFTER DURABILITY EXTRACTION FORCE: 6~20N**  
耐久后拔出力: 6~20N



**PIN ASSIGNMENT:**

A1	A2	A3	A4	A5	A6	A7	A8	A9	A10	A11	A12
GND	TX1+	TX1-	Vbus	CC1	D+	D-	SBU1	Vbus	RX2-	RX2+	GND
GND	RX1+	RX1-	Vbus	SBU2	D-	D+	CC2	Vbus	TX2-	TX2+	GND
B12	B11	B10	B9	B8	B7	B6	B5	B4	B3	B2	B1

NO.	DESCRIPTION	MATERIAL	REMARKS	QTY
6	OUT SHELL	STAINLESS STEEL, T=0.25	NICKEL PLATING OVERALL	1
5	INT SHELL	STAINLESS STEEL, T=0.30	NICKEL PLATING OVERALL	1
4	MAIN HOUSING	HIGH TEMPERATURE	COLOR BLACK	1
3	MID PLATE	STAINLESS STEEL, T=0.15	---	1
2	BOTTOM TERMINAL	COPPER ALLOY, T=0.12	MATING SIDE: Gold Plating; SOLDER TAIL: Gold FLASH, 30u" NICKEL OVERALL.	12
1	TOP TERMINAL	COPPER ALLOY, T=0.12	---	12



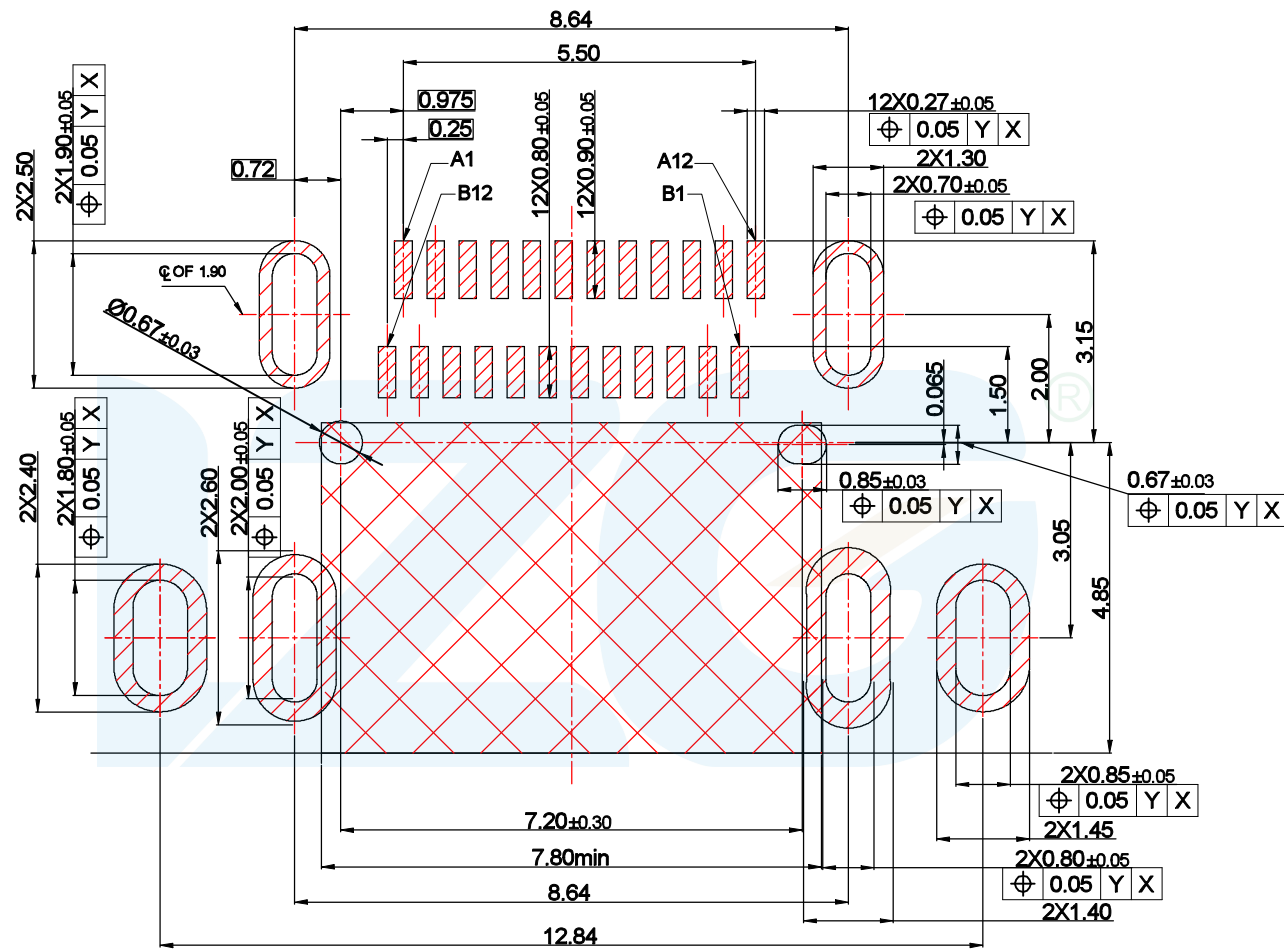
LZG INDUSTRIAL CO. LTD

DRAWING:	林生财	DATE:	2020.02.18	SCALE	1:1
CHECK:	李宏鑫	DATE:	2020.02.18	MATERIAL	*
APPROVAL:	杨进宝	DATE:	2020.02.18	DWG. NO.	
DRAWING NO.	ZB48063-24SBAP-A			SHEET	1/2

PART NAME	TYPE C 24 PIN	TOLERANCE UNLESS	0.0±0.30	0.°±2°	UNIT:	mm
PART NO.	ZB48063-24SBAP-A	OTHERWISE SPECIFIED:	0.00±0.25 0.000±0.15	0.0°±1° 0.00°±0.5°		

RoHS  
Compliant

ZONE	EC N. NO.	DESCRIPTION	DRAWING	DATE
A		INITIAL	林生财	2020.02.18



Recommended PCB Layout(Top View)/ 推荐的PCB布局(前视图)  
General Tolerances:±0.05/ 一般公差:±0.05



LZG INDUSTRIAL CO. LTD

PART NAME	TYPE C 24 PIN	TOLERANCE UNLESS	0.0±0.30	0.°±2°	UNIT:
PART NO.	ZB48063-24SBAP-A	OTHERWISE SPECIFIED:	0.00±0.25 0.000±0.15	0.0°±1° 0.00°±0.5°	

DRAWING:	林生财	DATE:	2020.02.18	SCALE	1:1
CHECK:	李宏鑫	DATE:	2020.02.18	MATERIAL	*
APPROVAL:	杨进宝	DATE:	2020.02.18	DWG. NO.	
DRAWING NO.	ZB48063-24SBAP-A			SHEET	2/2