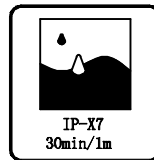
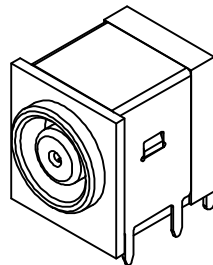
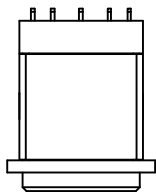


RoHS  
Compliant

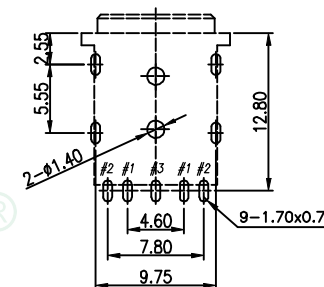
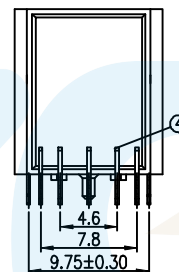
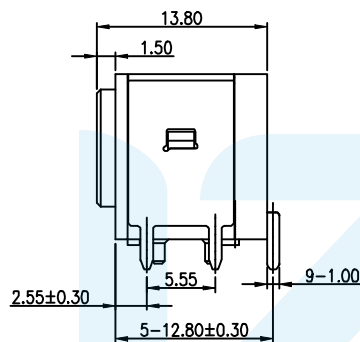
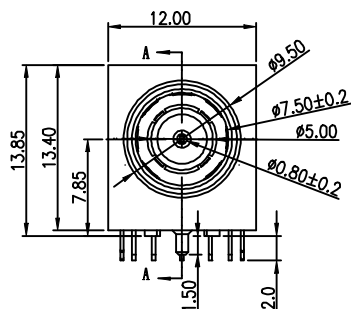


ZONE	E.C.N.O.	DESCRIPTION	DRAWING	DATE
A		INITIAL	林生财	2020.02.18

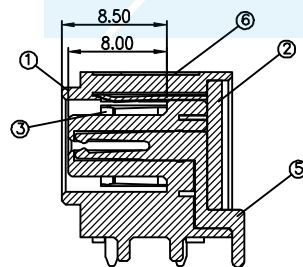
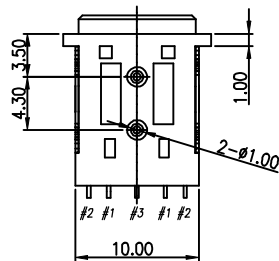
- SPECIFICATIONS:**
- ELECTRICAL CHARACTERISTICS:**
    - RATING: 20V 10A
    - CONTACT RESISTANCE: 30mΩ MAX.(INITIAL)
    - DIELECTRIC WITHSTANDING VOLTAGE: 500V AC FOR ONE MINUTE.
    - INSULATION RESISTANCE: 100MΩ MIN. MEASURED BY 250 VDC
  - MECHANICAL CHARACTERISTICS:**
    - INSERTION FORCE : 3.0 KGF Max.
    - WITHDRAWAL FORCE : 0.30 KGF Min.
  - LIFE TEST: 5,000 CYCLES MIN.**
  - TO CONFORM TO SINGATRON HAZARDOUS SUBSTANCE FREE SPEC.**



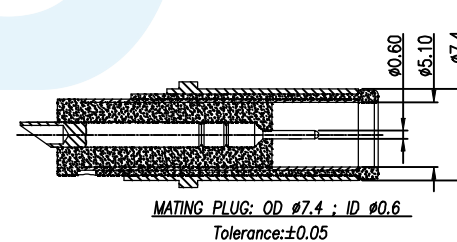
3D VIEW



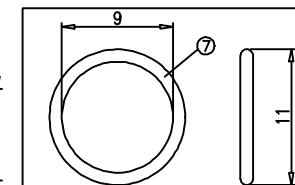
RECOMMENDED P.C.B. LAYOUT  
TOP VIEW (TOLRANCE:±0.05)



SECTION A-A  
SCALE 1:1



MATING PLUG: OD 07.4 ; ID 0.6  
Tolerance:±0.05



防水圈

NO.	DESCRIPTION	MATERIAL	REMARKS	QTY
7	Rubber ring	Silica Gel	COLOR BLACK	1
6	Shell	Brass 0.25t	Ni Plating overall	1
5	SIGNAL (S)	Phosphor bronze, 0.30t	Ag Plating overall	1
4	CONTACT (+)	Phosphor bronze, 0.30t	Ag Plating overall	1
3	SPRING (-)	Phosphor bronze, 0.30t	Ag Plating overall	1
2	Cover	HIGH TEMPERATURE PLASTIC	COLOR BLACK	1
1	Housing	HIGH TEMPERATURE PLASTIC	COLOR BLACK	1



LZG INDUSTRIAL CO. LTD

DRAWING:	林生财	DATE:	2020.02.18	SCALE	1:1
CHECK:	李宏鑫	DATE:	2020.02.18	MATERIAL	*
APPROVAL:	杨进宝	DATE:	2020.02.18	DWG. NO.	
DRAWING NO.	ZB30009-09DBAP-A			SHEET	1/1

PART NAME	DC POWER JACK	TOLERANCE UNLESS	0.0±0.3	0.°±2°	UNIT: mm
PART NO.	ZB30009-09DBAP-A	OTHERWISE SPECIFIED:	0.00±0.25 0.000±0.2	0.0°±1° 0.00°±0.5°	