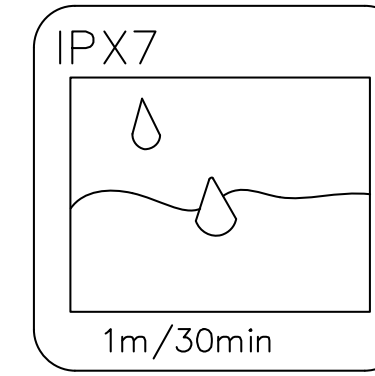
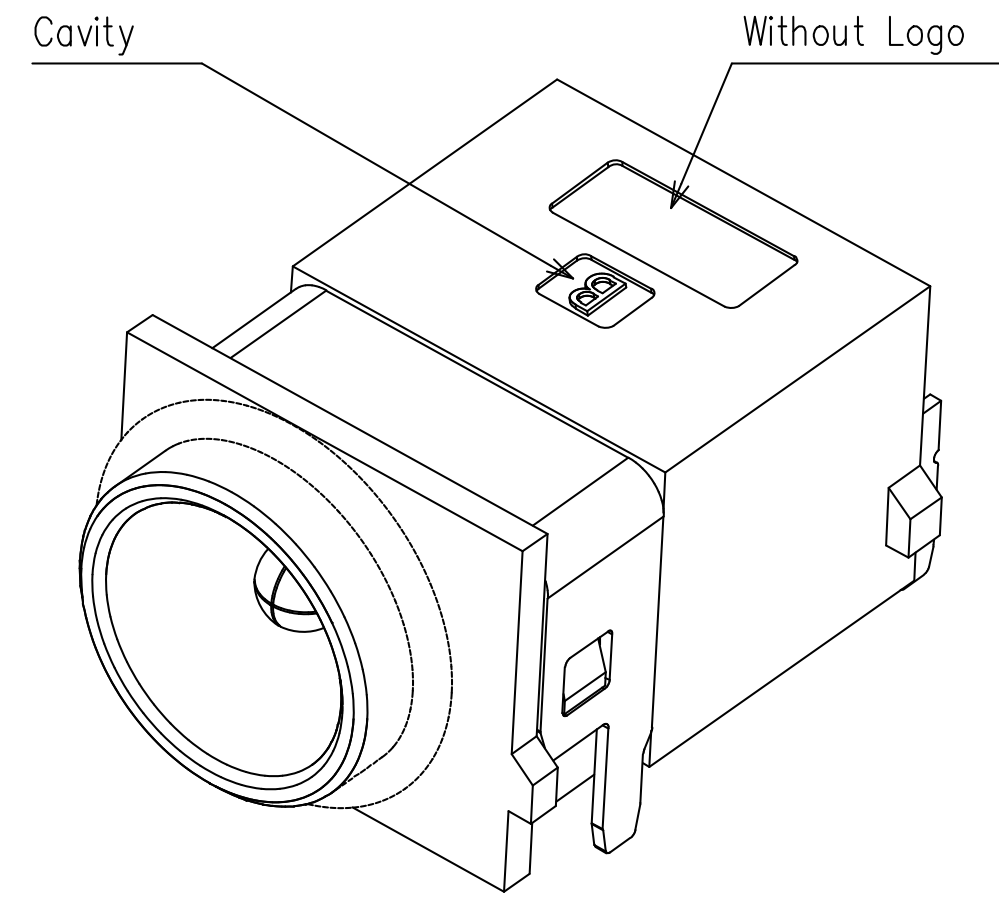
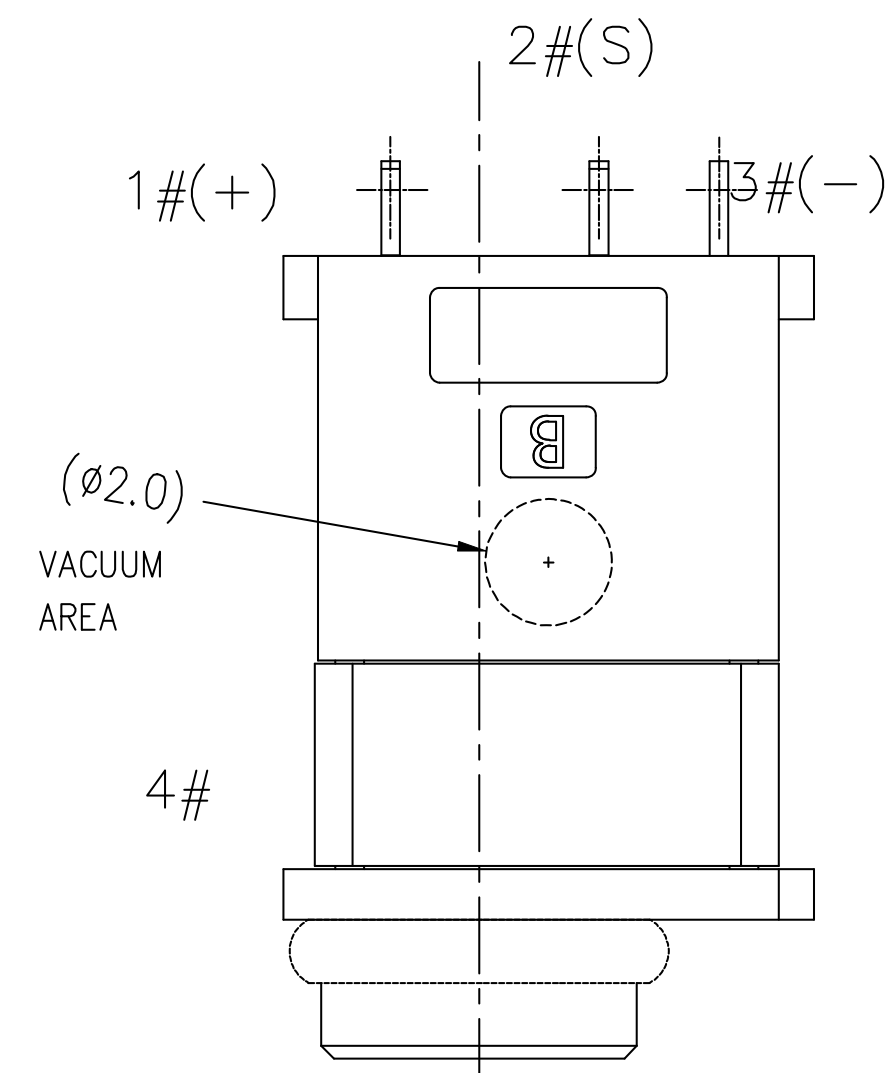


RoHS
Compliant

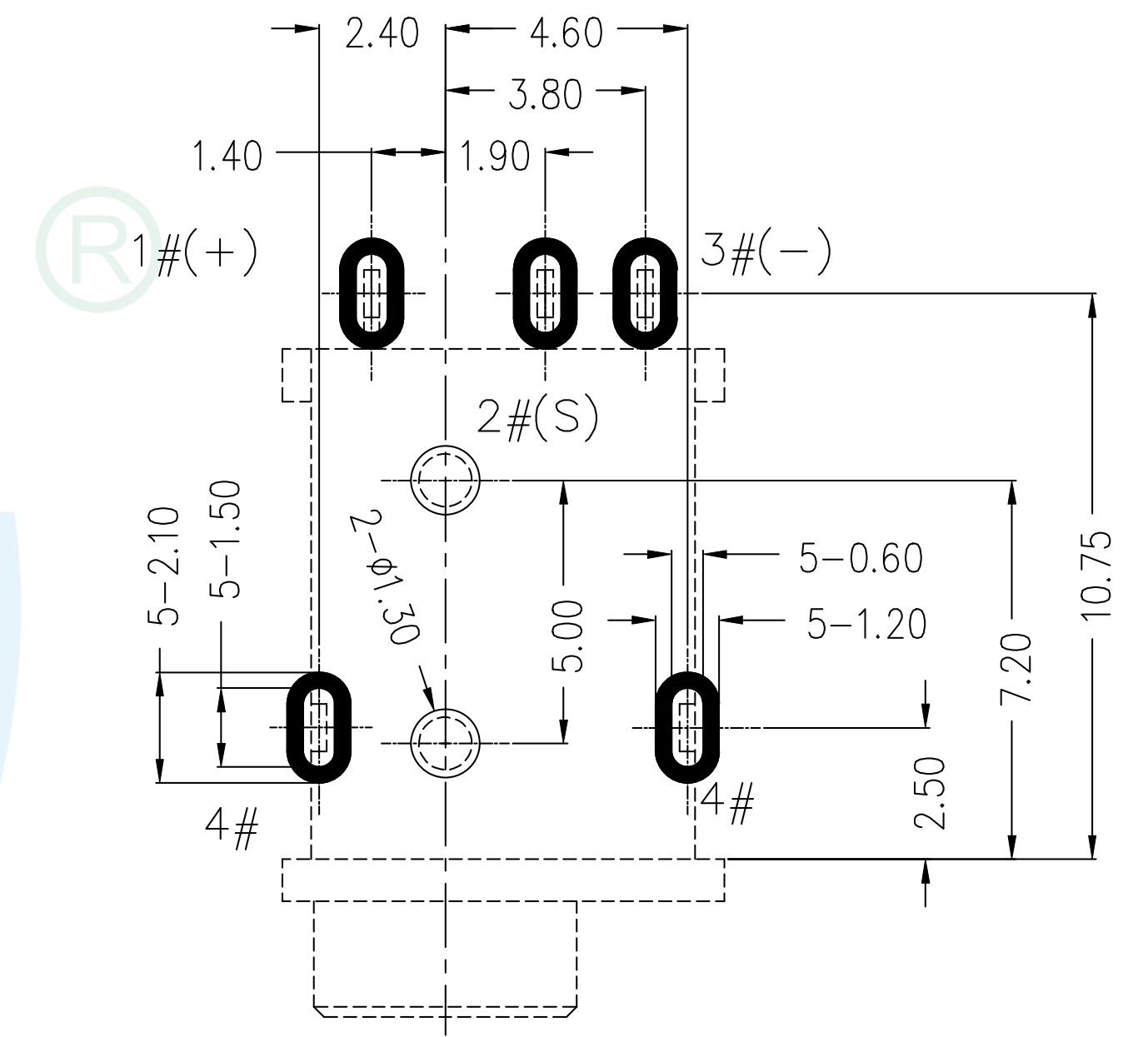
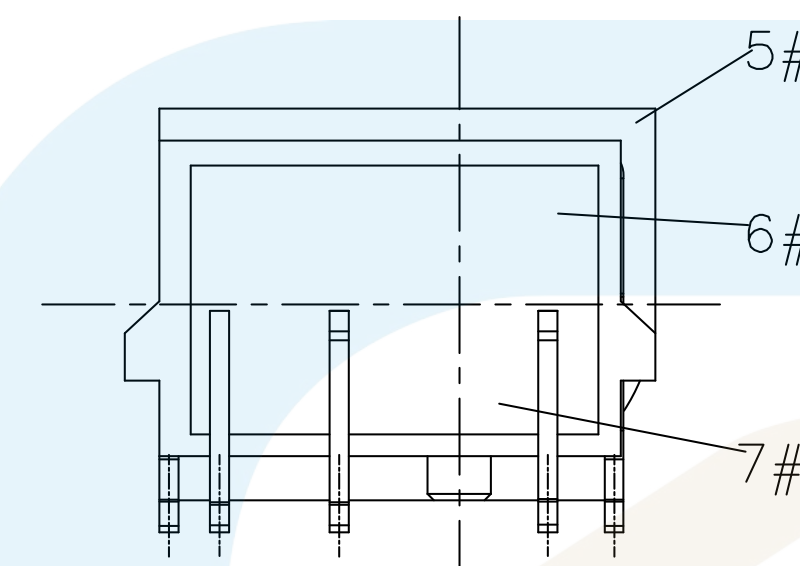
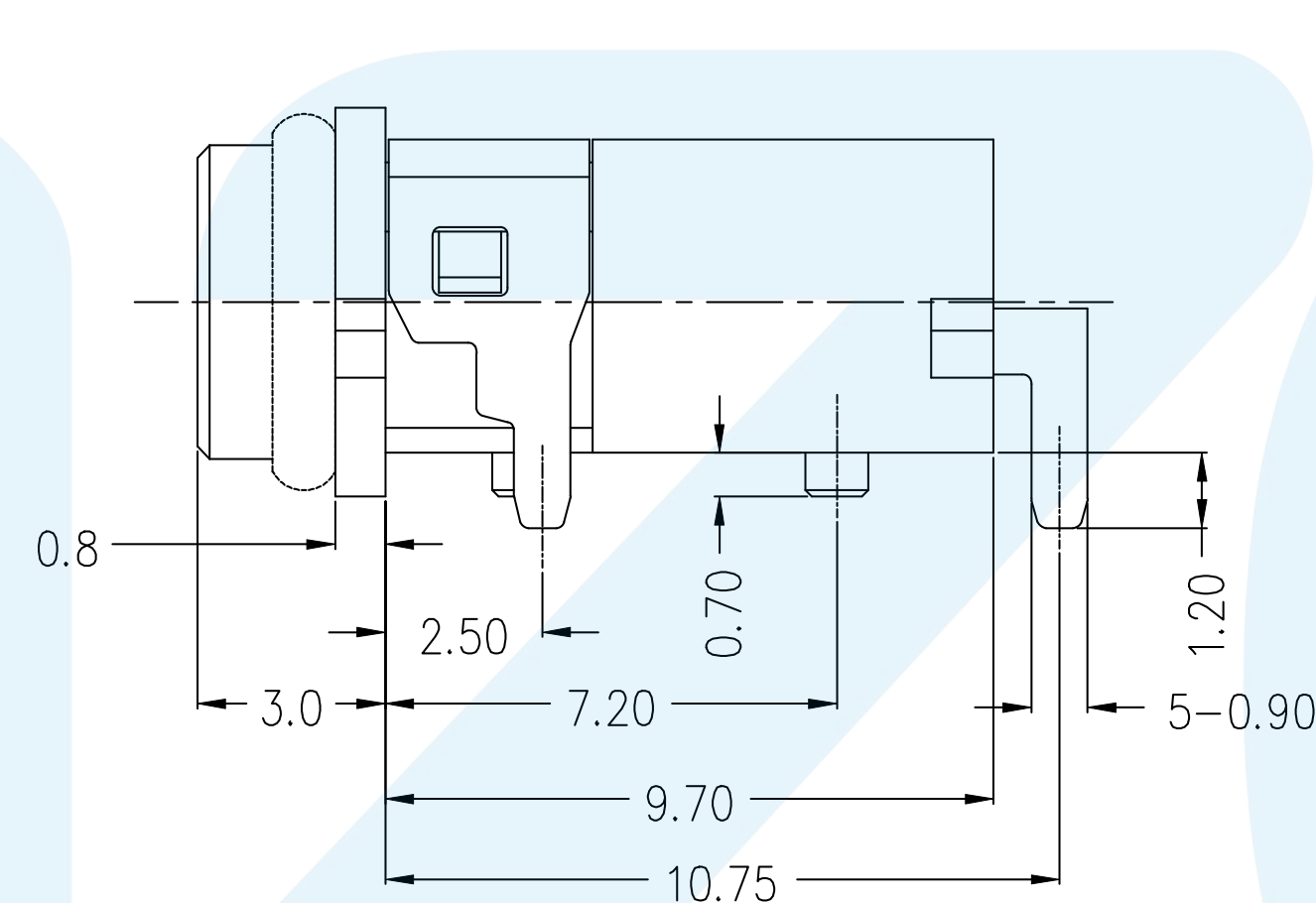
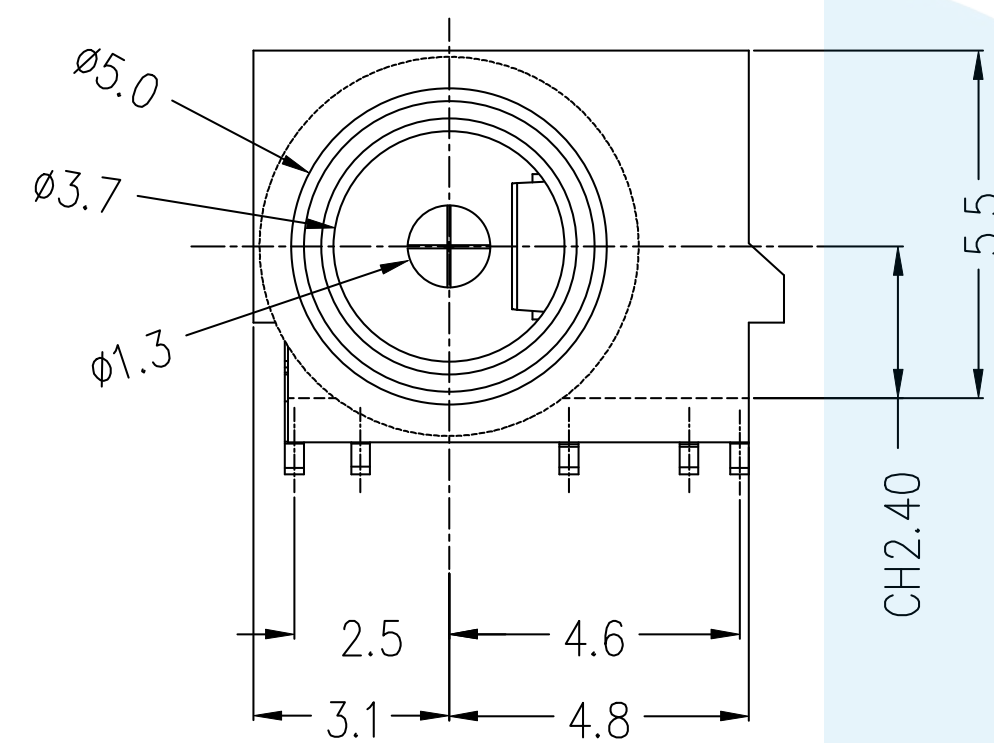


ZONE	ECN.N.O.	DESCRIPTION	DRAWING	DATE
A		INITIAL	林生財	2020.02.18

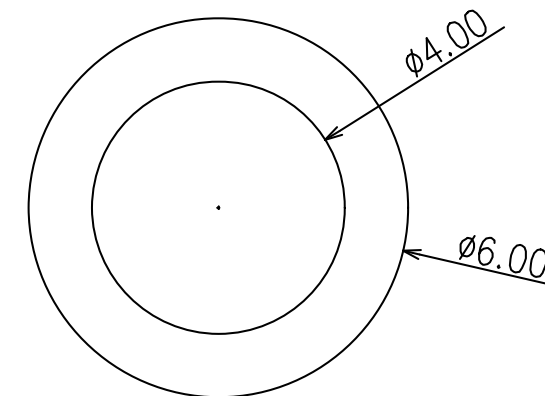
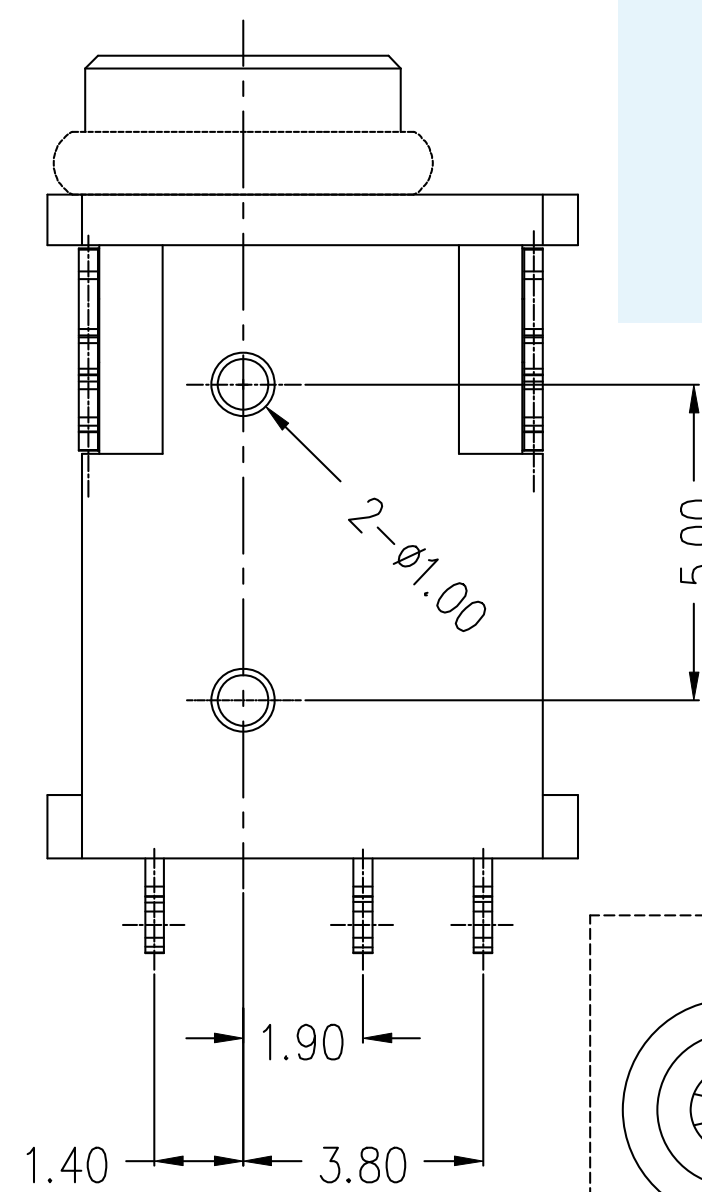
- NOTES
- CURRENT RATING: 24V & 3A MAX.
 - CONTACT RESISTANCE: 50mΩ MAX.
 - INSULATION RESISTANCE: 100MΩ MIN.
 - DIELECTRIC WITHSTANDING: 500V AC MIN.
 - DURABILITY: 5000 CYCLES MIN.
 - CONNECTOR MATING FORCES: 3N MIN.
 - CONNECTOR UNMATING FORCES: 35N MAX.
 - OPERATING TEMPERATURE: -25°C TO +85°C.
 - WATER PROOFNESS: THIS PRODUCT IS BASED ON IPX7.



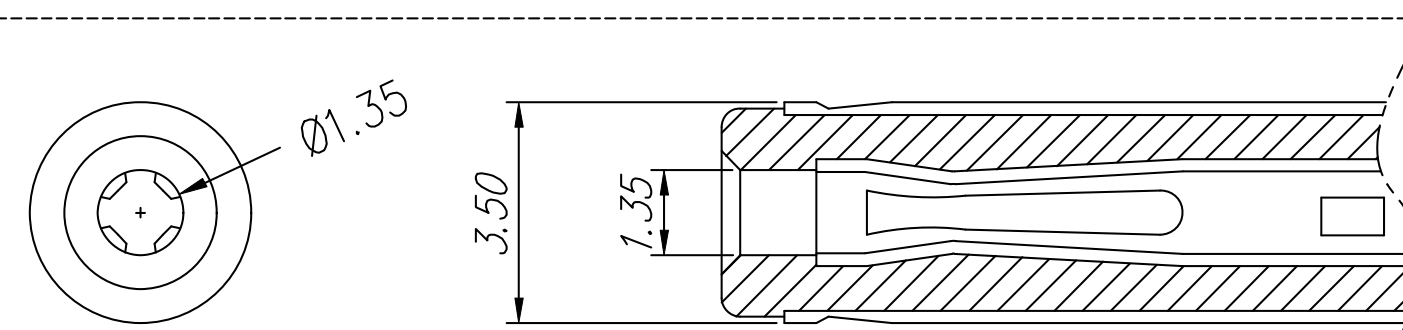
3D VIEW



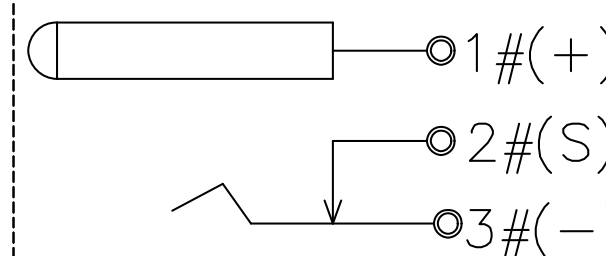
PCB LAYOUT (TOP VIEW)
TOLERANCE: ±0.05



WHITE WATERPROOF RING



Circuit Diagram



Not to install the waterproof ring shipment

NO.	DESCRIPTION	MATERIAL	REMARKS	QTY
8	WATERPROOF RING	SILICONE	WHITE	1
7	GLUE	EPOXY	COLOR BLACK	1
6	BACK COVER	HIGH TEMPERATURE	COLOR BLACK	1
5	HOUSING	HIGH TEMPERATURE	COLOR BLACK	1
4	TERMINAL 4#	STAINLESS STEEL	NICKEL PLATING OVERALL	1
3	TERMINAL 3#	COPPER ALLOY	NICKEL UNDERPLATING OVERALL, Au PLATING ON THE SOLDER AREA	1
2	TERMINAL 2#	COPPER ALLOY	NICKEL UNDERPLATING OVERALL, Au PLATING ON THE WHOLE	1
1	CENTER PIN	COPPER ALLOY	NICKEL UNDERPLATING OVERALL, Au PLATING ON THE SOLDER AREA	1



LZG INDUSTRIAL CO. LTD

PART NAME	Ø1.3 DC WATERPROOF POWER JACK	TOLERANCE UNLESS	0.0±0.25	0.°±2°	UNIT: mm
PART NO.	ZB30002-05DBAP-A	OTHERWISE SPECIFIED:	0.00±0.20	0.0°±1°	
			0.000±0.10	0.00°±0.5°	

DRAWING:	林生財	DATE:	2020.02.18	SCALE	1:1
CHECK:	李宏鑫	DATE:	2020.02.18	MATERIAL	*
APPROVAL:	楊建宇	DATE:	2020.02.18	DWG. NO.	
DRAWING NO.	ZB30002-05DBAP-A			SHEET	1/1