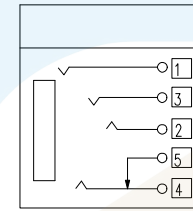
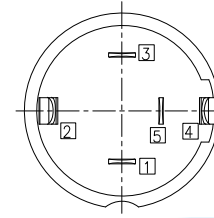
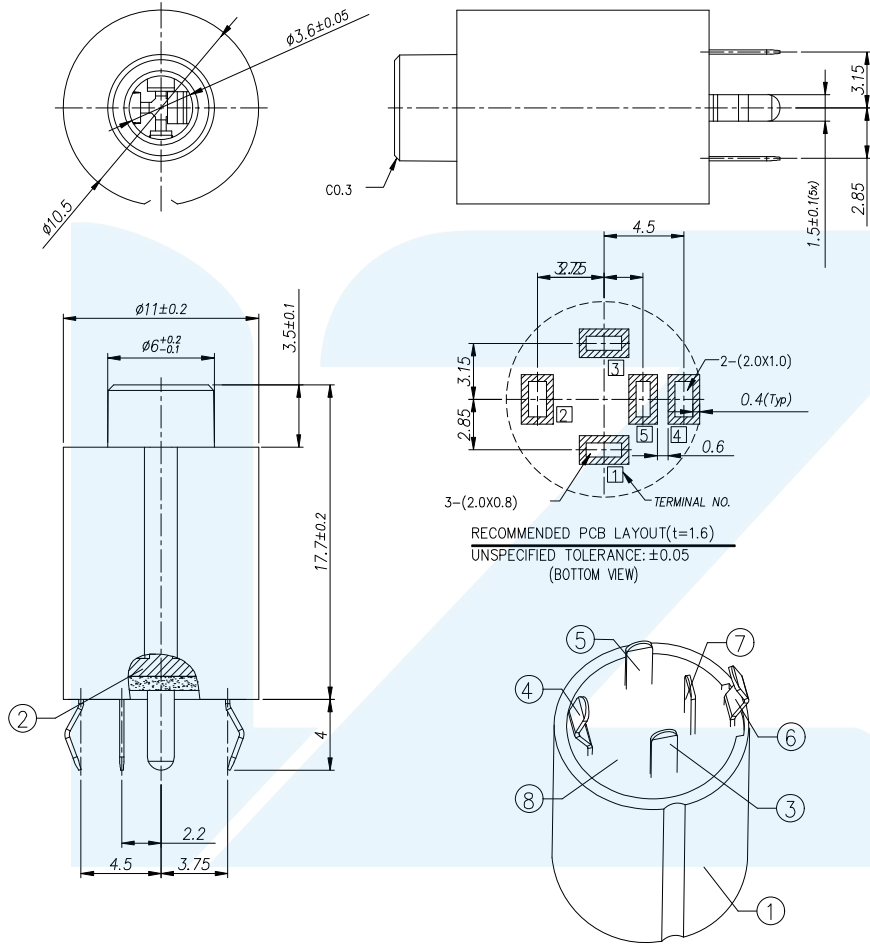
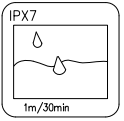


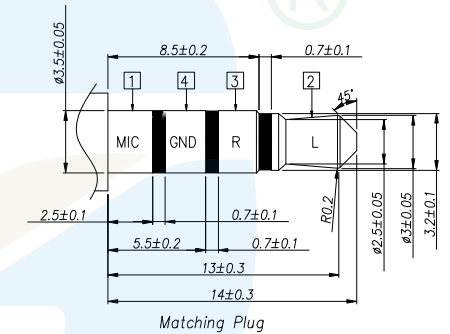
RoHS
Compliant

ZONE	EC.N.O.	DESCRIPTION	DRAWING	DATE
A		INITIAL	林生財	2023.12.29

- NOTES:
- CONTACT CURRENT RATING: 12V/1A.
 - CONTACT RESISTANCE: 50 m MAX.;
 - INSULATION RESISTANCE: 100M MIN.;
 - DIELECTRIC WITHSTANDING: 500V AC MIN.;
 - DURABILITY: 5,000 CYCLES MIN.;
 - CONNECTOR MATING FORCES:
29.4N (3.00Kgf) MAX.;
 - CONNECTOR UNMATING FORCES:
2.94N(0.30Kgf) MIN.



□ : TERMINAL NO.



UNLESS OTHERWISE SPECIFIED, TOLERANCE ON DECIMAL: ± 0.3

TR	PART NAME	QTY	MATERIAL	REMARK
⑧	GLUE	1	----	BLACK
⑦	SHUNT TERMINAL	⑤	BRASS t=0.25	Ni undreplating, Sn Plating
⑥	RING SPRING-2	④	PHOSPHOR BRONZE t=0.25	Ni undreplating, Sn Plating
⑤	RING SPRING-1	③	PHOSPHOR BRONZE t=0.25	Ni undreplating, Sn Plating
④	TIP SPRING	②	PHOSPHOR BRONZE t=0.25	Ni undreplating, Sn Plating
③	EARTH SPRING	①	PHOSPHOR BRONZE t=0.25	Ni undreplating, Sn Plating
②	COVER	1	PBT(Black)	UL 94V-0
①	HOUSING	1	PBT(Black)	UL 94V-0

LZG® LZG INDUSTRIAL CO. LTD

DRAWING:	林生財	DATE:	2023.12.29	SCALE:	1:1
CHECK:	李宏鑫	DATE:	2023.12.29	MATERIAL:	*
APPROVAL:	楊進寶	DATE:	2023.12.29	DWG. NO.:	
DRAWING NO.:	ZB23030-05DBAP-A			SHEET:	1/1

PART NAME	$\phi 3.5$ MINIATURE JACK	TOLERANCE UNLESS	0.0 \pm 0.25	0.1 \pm 2*	UNIT: mm	
PART NO.	ZB23030-05DBAP-A	OTHERWISE SPECIFIED:	0.00 \pm 0.15 0.000 \pm 0.05	0.0* \pm 1* 0.00* \pm 0.5*		