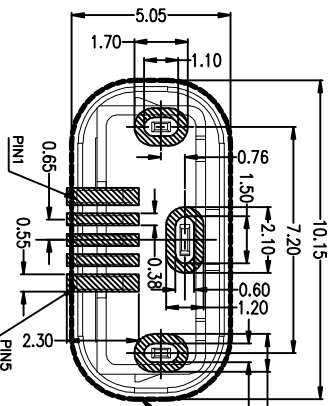
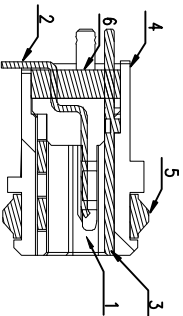
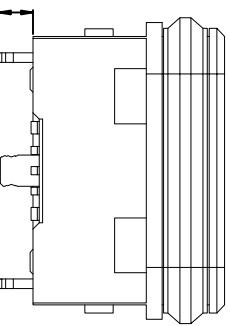
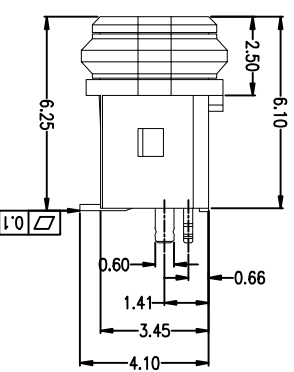
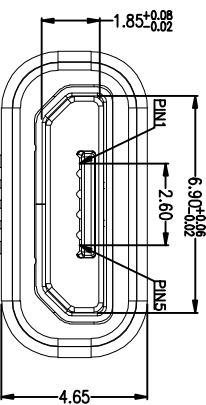


3D VIEW



- SPECIFICATIONS:
- 1 Current rating: 1.5PIN 2.0A Max/2,3,4PIN 1A Max.
 - 2 Dielectric withstanding voltage: 100 V(ac) for 1 min.
 - 3 Contact resistance: 30 mΩ Max.
 - 4 Insulation resistance: 100 MΩ Min.
 - 5 Total mating force: 3.57 Kgf Max.
 - 6 Total unmating force: 1.0 Kgf Min.
 - 7 Temperature range: -30°C~80°C
 - 8 Waterproof: IPX8.



RECOMMENDED P.C.B. LAYOUT
TOLERANCE UNSPECIFIED ±0.05mm

NO.	DESCRIPTION	MATERIAL	REMARKS	QTY
6	GLUE	EPOXY	COLOR BLACK	1
5	RING	SILICON	COLOR YELLOW	1
4	COVER	HIGH TEMPERATURE PLASTIC	COLOR BLACK	1
3	SHELL	STAINLESS STEEL 0.3t	NICKEL PLATING OVERALL	1
2	CONTACT	COPPER ALLOY 0.2t	GOLD PLATING OVERALL	5
1	HOUSING	HIGH TEMPERATURE PLASTIC	COLOR BLACK	1

LZG INDUSTRIAL CO., LTD

PART NAME: WATERPROOF MICRO USB SP B TYPE
PART NO.: ZB43004-07SBAP-A

TOLERANCE UNLESS OTHERWISE SPECIFIED:

0.04±0.3
0.00±0.2
0.000±0.1

0.±2°
0.07±1°
0.00±0.5°

UNIT: mm

DRAWING: 林生輝
CHECK: 李宏鑫
APPROVAL: 賴建堂
DRAWING NO.: ZB43004-07SBAP-A

DATE: 2020.02.18
DATE: 2020.02.18
DATE: 2020.02.18

SCALE: 1:1
MATERIAL: *
DWG. NO.:
SHEET: 1/1