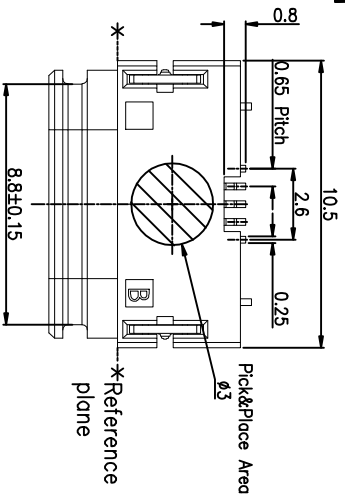
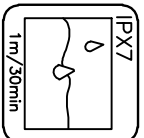
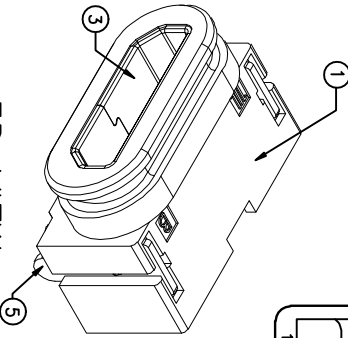


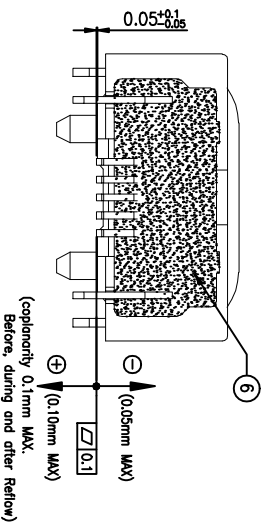
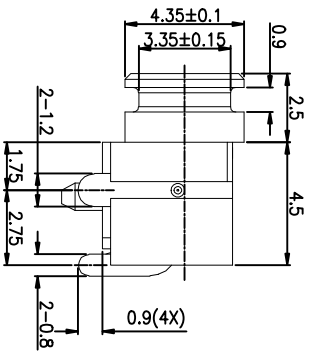
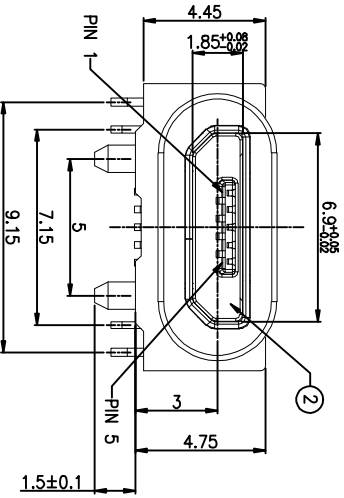
**RoHS**  
Compliant



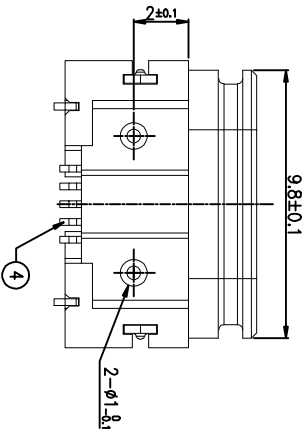
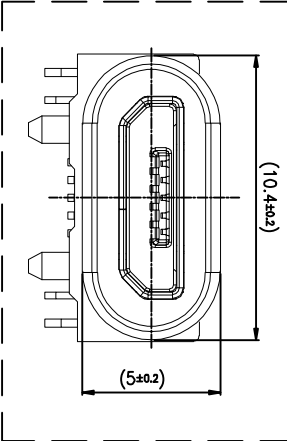
3D VIEW



- SPECIFICATIONS:
1. ELECTRICAL CHARACTERISTICS:
- 1-1. RATING: 1.8A (PIN1/5), 0.5A (PIN2/3/4)
  - 1-2. CONTACT RESISTANCE: 30mΩ MAX.(INITIAL)
  - 1-3. DIELECTRIC WITHSTANDING VOLTAGE: 300V AC FOR ONE MINUTE.
  - 1-4. INSULATION RESISTANCE: 100MΩ MIN. MEASURED BY 500 VDC.
2. MECHANICAL CHARACTERISTICS:
- 2-1. INSERTION FORCE : 3.6 KGF (MAX)
  - 2-2. WITHDRAWAL FORCE : 0.8 KGF(Reference)
3. DURABILITY: 10,000 CYCLES .
4. WATER PROOFNESS:THIS PRODUCT IS BASED ON IPX7(1m,30min)
5. PLUG INTERFACE DIMENSIONS COMFORM TO USB2.0 SPEC.
6. OVAL RING
- 6-1. The amount of low molecular siloxanes(D3~D10)is less than 200ppm
  - 6-2. Hardness of silicone rubber:70°
7. BODY WITH O-RING'S SEAL AREA BURRS IS 0.05mm Max.
8. FOR REFLOW SOLDERING LEAD-FREE PROCESS.
9. PACKAGING: TAPE & REEL.



Oval Ring assembly state:



NO.	DESCRIPTION	MATERIAL	REMARKS	QTY
6	BOND	-----	-----	1
5	TERMINAL	C2680 T=0.3	Made Sn 80u" Min, Ni 40u" Min underplate	2
4	CONTACT	C2680 T=0.20	Gold flash plating on contact area Matte Tin 50u"min on solder tail Nickel 50u"min plating all over.	5
3	SHELL	SUS 304 T=0.25	Nickel 50u"min plating all over	1
2	INSERT MOLDING	LCP UL94 V-0	COLOR BLACK	1
1	HOUSING	PA9T UL94 V-0	COLOR BLACK	1

DRAWING NO.:

CHECK:

DATE:

SCALE

1:1

APPROVAL:

DATE:

DATE:

MATERIAL

\*

DRAWING NO.:

DATE:

DATE:

DWG. NO.

1/2

**LZG INDUSTRIAL CO. LTD**

PART NAME: Mirco USB Waterproof Connector

PART NO.: ZB4-3002-05SBAP-A

TOLERANCE UNLESS OTHERWISE SPECIFIED:

0.0±0.3  
0.00±0.2  
0.000±0.05

0.1±0.2  
0.0±0.1  
0.00±0.05

UNIT: mm



DRAWING NO.:

DATE:

DATE:

DWG. NO.

1/2

F

E

D

C

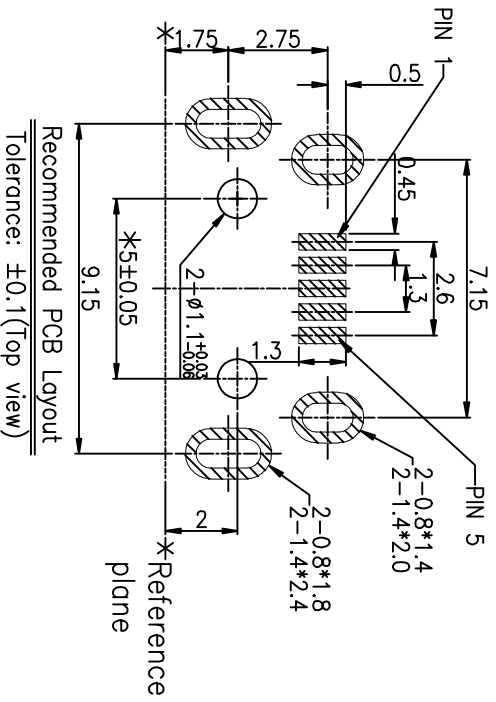
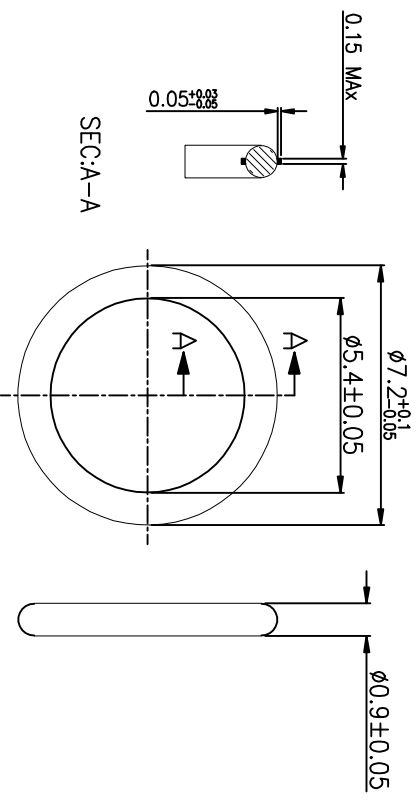
B

A

**RoHS**  
Compliant

ZONE		EC N. NO.	DESCRIPTION	DRAWING	DATE
A	A		INITIAL	林生财	2020.02.18

Oval ring drawing:



**注防水圈不用组装在产品上,客人单独下单出货.**  
Note: Waterproof ring need not assembled on the product, to form a complete set of product shipped separately.

**LZG**

LZG INDUSTRIAL CO., LTD

PART NAME	Micro USB Waterproof Connector	TOLERANCE UNLESS OTHERWISE SPECIFIED:	0.0±0.3 0.00±0.2 0.000±0.05	0.1±2° 0.0°±1° 0.00°±0.5°	UNIT: mm	DRAWING NO.	ZB43002-05SBAP-A	SHEET	2/2
PART NO.	ZB43002-05SBAP-A								

F

E

D

C

B

A

4

3

2

1

4

3

2

1