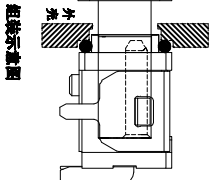
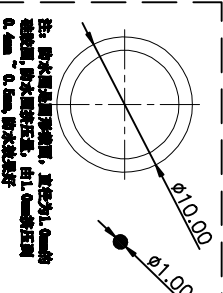
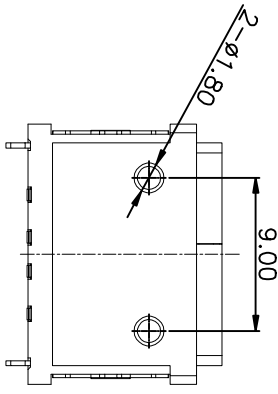
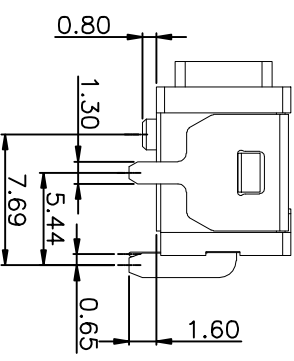
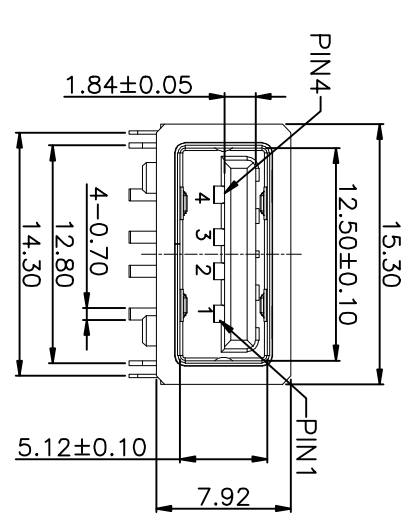


3D VIEW

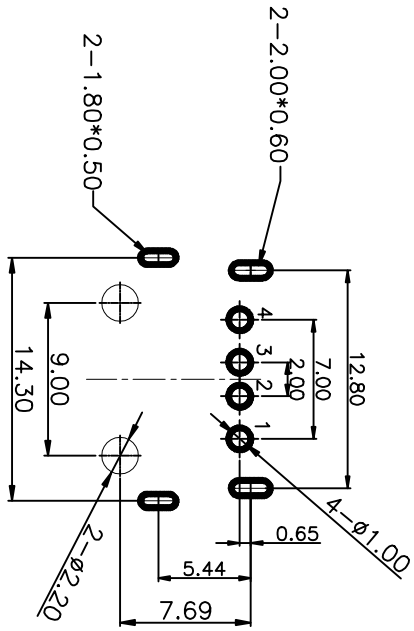


结构设计注意:
1. 成品使用时, 如有洗面剂泡沫、牙膏、洗手液、脏污液体, 请在TYPE-C口外面再设计一层外壳, 保护TYPE-C表面金手指不会被脏污覆盖。

注: 首次清洗用酒精, 擦拭为: 0.001~0.002mm, 第二次清洗用: 0.001~0.002mm, 第三次清洗用: 0.001~0.002mm, 第四次清洗用: 0.001~0.002mm



- NOTES:
SPECIFICATION:
1. CURRENT RATING: 3.0A MAX
2. DIELECTRIC WITHSTAND VOLTAGE: 100VAC
3. TEMPERATURE RANGE: -30 °C ~ 85 °C
4. CONTACT RESISTANCE: 40 MILLIONHM MAX
5. INSULATION RESISTANCE: 100 MEGOHMS MIN.
6. INSERTION FORCE :10N~30N
7. UNMATING FORCE: 8N~30N
8. DURABILITY:1500 CYCLES



RECOMMENDED PCB LAYOUT(TOP VIEW)
THICKNESS T=1.0mm
DEFAULT TOLERANCE+/-0.05

PIN ASSIGNMENT

PIN NO.	1	2	3	4
SIGNAL NAME	VBUS	D-	D+	GND

NO.	DESCRIPTION	MATERIAL	REMARKS	QTY
1	HOUSING	PA10T	COLOR BLACK	1
2	CONTACT	BRASS	Au/Ni Plating T=0.25mm	4
3	PLASTIC SHELL	PA10T	COLOR BLACK	1
4	INNER SHELL	SUS 301	WASH	1
5	OUTER SHELL	SUS 301	WASH	1

LZG INDUSTRIAL CO., LTD

PART NAME	WATERPROOF USB 2.0 A TYPE	TOLERANCE UNLESS SPECIFIED: 0.000±0.05	0.0±0.3	0.0±1.1'	UNIT: mm	DRAWING NO.	ZB40001-08DBAP-A	SHEET	1/1
PART NO.	ZB40001-08DBAP-A	OTHERWISE SPECIFIED: 0.000±0.05	0.0±0.3	0.0±1.1'	mm	APPROVAL:	杨进宝	DATE:	2020.02.18

ZONE	E	C	N	B	A
DESCRIPTION	INITIAL				DATE
DRAWING	林生财				2020.02.18