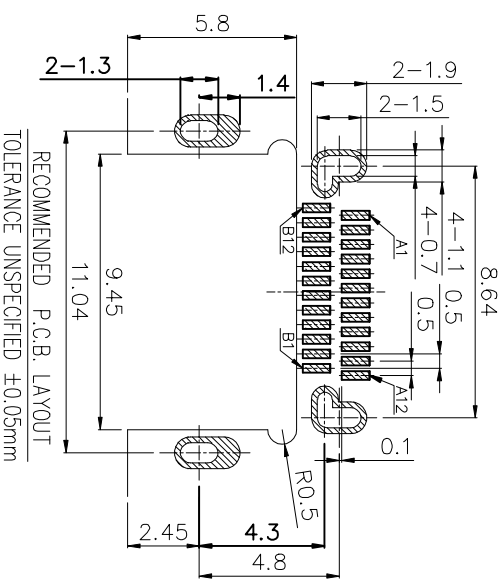
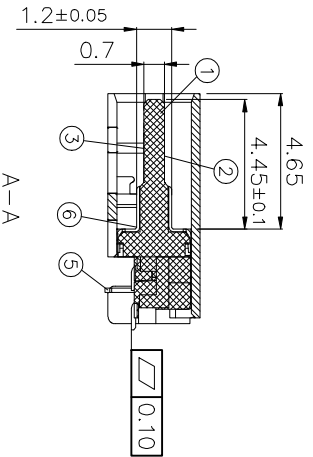
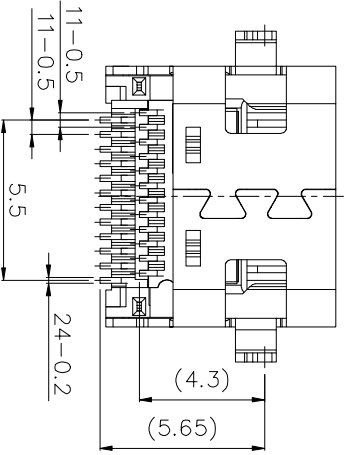
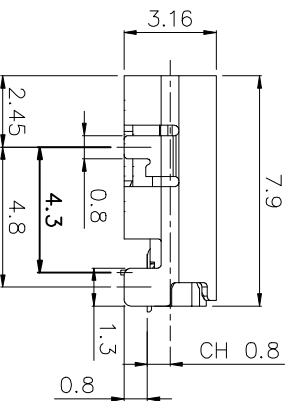
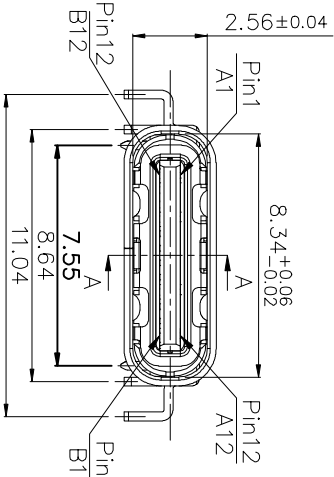


3D VIEW



RECOMMENDED P.C.B. LAYOUT
TOLERANCE UNSPECIFIED ±0.05mm

PIN ASSIGNMENTS:

PIN No.	A1	A2	A3	A4	A5	A6	A7	A8	A9	A10	A11	A12
SIGNAL NAME	GND	TX+ TX-	TX+ TX-	House	CC1	D+	D-	SBUS	House	RZ2	RZ2	GND
PIN No.	B12	B11	B10	B9	B8	B7	B6	B5	B4	B3	B2	B1
SIGNAL NAME	GND	RXT+ RXT-	House	SBUS2	D-	D+	CC2	House	TX2	TX2	GND	GND

NO.	DESCRIPTION	MATERIAL	REMARKS	QTY
6	EMI PLATE	STAINLESS STEEL T=0.10		1
5	MID PLATE	STAINLESS STEEL T=0.15	Tin Plating Overall	1
4	SHELL	STAINLESS STEEL T=0.3	Nickel Plating Overall	1
3	TERMINAL 2	COPPER ALLOY T=0.15	Under Plating: Ni; Contact Plating: Au	12
2	TERMINAL 1	COPPER ALLOY T=0.15	Soldering Plating: Ni; Contact Plating: Au	12
1	HOUSING	HIGH TEMP.THERMOPLASTIC	COLOR BLACK UL94V-0	1

- NOTES:
- MECHANICAL PERFORMANCE.
 - INSERTION FORCE: 5N~20N.
 - REMOVAL FORCE: 5N~20N.
 - DURABILITY: 10000 CYCLES.
 - ELECTRICAL PERFORMANCE.
 - CURRENT RATING: 5.0A
 - LCR: VBUS & GND PINS AND OTHER PINS: 40mΩ/PIN MAX; SHIELD: 50mΩ/MAX.
 - INSULATION RESISTANCE: 100MΩ MIN
 - DIELECTRIC WITHSTAND VOLTAGE: AC 100V FOR 1 MINUTE.
 - ENVIRONMENTAL PERFORMANCE: OPERATING TEMPERATURE: -25°C~+85°C.

LZG INDUSTRIAL CO., LTD

PART NAME: USB TYPE C 24PIN
PART NO.: ZB48047-24FBAP-A

TOLERANCE UNLESS SPECIFIED: 0.00±0.20
0.00±0.15
0.00±0.05

UNIT: mm

DRAWING NO.: ZB48047-24FBAP-A

DATE: 2020.02.18

DWG. NO.:

SHEET 1/1

DRAWING CHECK: 林生财

APPROVAL: 鞠建宝

SCALE: 1:1

MATERIAL: *