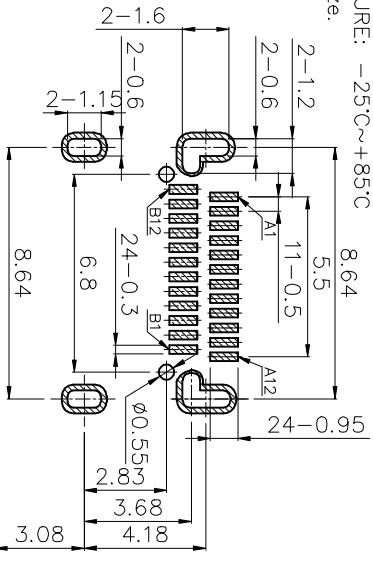
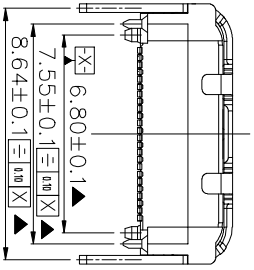
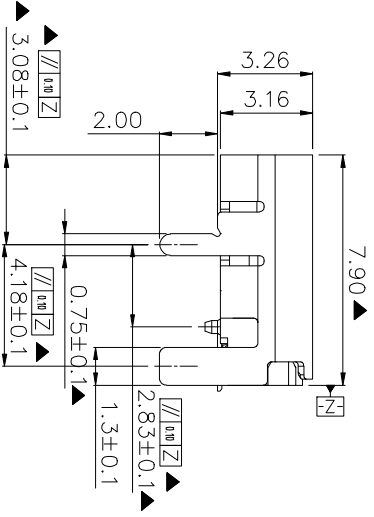
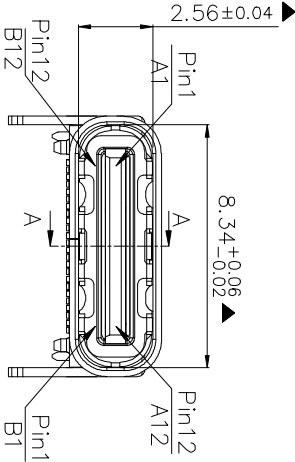


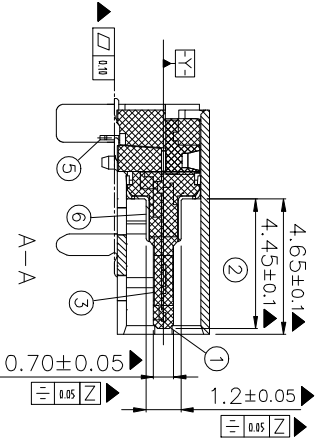
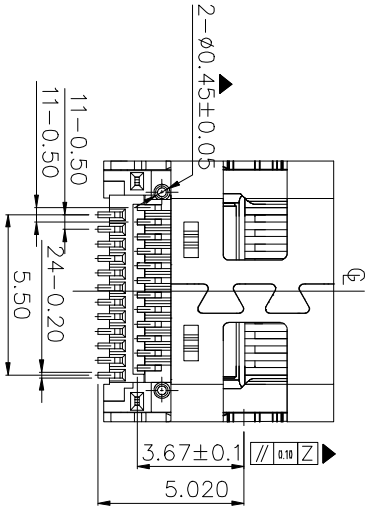
3D VIEW



RECOMMENDED P.C.B. LAYOUT
TOLERANCE UNSPECIFIED ±0.05mm

PIN ASSIGNMENTS:

PIN No.	A1	A2	A3	A4	A5	A6	A7	A8	A9	A10	A11	A12
SIGNAL NAME	GND	TX1+	TX1-	Vbus	CC1	D+	D-	SBU	Vbus	FX2-	FX2+	GND
PIN No.	B12	B11	B10	B9	B8	B7	B6	B5	B4	B3	B2	B1
SIGNAL NAME	GND	FX1+	FX1-	Vbus	SU2	D-	D+	CC2	Vbus	TX2-	TX2+	GND



NO.	DESCRIPTION	MATERIAL	REMARKS	QTY
6	EMI PLATE	STAINLESS STEEL T=0.10		1
5	MID PLATE	STAINLESS STEEL T=0.15	Tin Plating Overall	1
4	SHELL	STAINLESS STEEL T=0.3	Nickel Plating Overall	1
3	TERMINAL 2	COPPER ALLOY T=0.15	Under Plating: Ni; Contact Plating: Au	12
2	TERMINAL 1	COPPER ALLOY T=0.15	Soldering Plating: Au; Under Plating: Ni; Contact Plating: Au	12
1	HOUSING	HIGH TEMP.THERMOPLASTIC	COLOR BLACK UL94V-0	1

DRAWING: 林生财

CHECK: 李宏鑫

APPROVAL: 柳进宝

DATE: 2020.02.18

DATE: 2020.02.18

DATE: 2020.02.18

SCALE: 1:1

MATERIAL: *

DWG. NO.:

SHEET: 1/1

LZG INDUSTRIAL CO., LTD

PART NAME: USB TYPE C 24PIN

PART NO.: ZB48046-24SBAP-A

TOLERANCE UNLESS OTHERWISE SPECIFIED: 0.00±0.05

UNIT: mm

DRAWING NO.: ZB48046-24SBAP-A

SHEET: 1/1

F

E

D

C

B

A

4

2

1

F

E

D

C

B

A

3

2

1

4