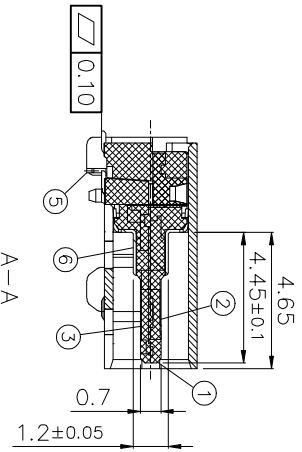
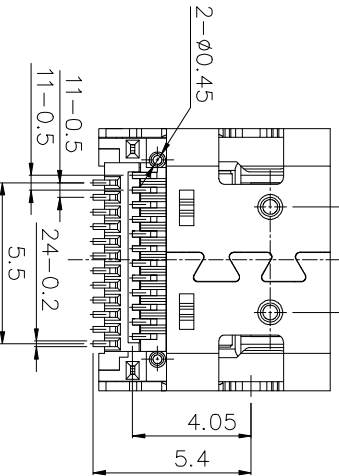
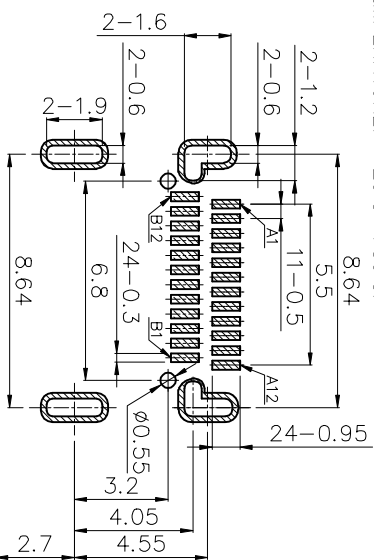
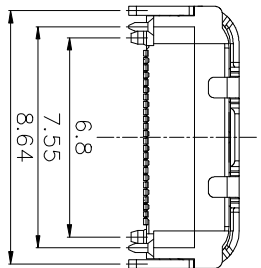
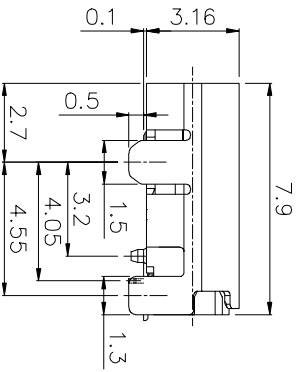
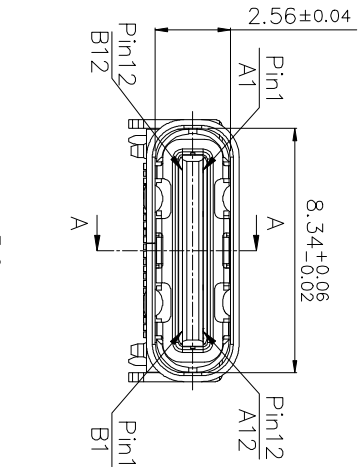


3D VIEW



NO.	DESCRIPTION	MATERIAL	REMARKS	QTY
6	EMI PLATE	STAINLESS STEEL T=0.10		1
5	MID PLATE	STAINLESS STEEL T=0.15		1
4	SHELL	Nickel Plating Overall		1
3	TERMINAL 2	COPPER ALLOY T=0.3	Under Plating: Ni; Contact Plating: Au	12
2	TERMINAL 1	COPPER ALLOY T=0.15	Soldering Plating: Au	12
1	HOUSING	HIGH TEMP.THERMOPLASTIC	COLOR:BLACK UL94V-0	1

RECOMMENDED P.C.B. LAYOUT
TOLERANCE UNSPECIFIED ±0.05mm

PIN ASSIGNMENTS:

PIN No.	A1	A2	A3	A4	A5	A6	A7	A8	A9	A10	A11	A12
SIGNAL NAME	GND	Rx1+	Rx1-	Vbus	CC1	D+	D-	SBUS1	Vbus	Rx2+	Rx2-	GND
PIN No.	B12	B11	B10	B9	B8	B7	B6	B5	B4	B3	B2	B1
SIGNAL NAME	GND	Rx1+	Rx1-	Vbus	Sub2	D-	D+	CC2	Vbus	Rx2+	Rx2-	GND

ZONE	ECN.N.O.	DESCRIPTION	DRAWING	DATE
A		INITIAL	林生材	2020.02.18

- NOTES:
- MECHANICAL PERFORMANCE,
 - INSERTION FORCE: 5N~20N.
 - REMOVAL FORCE: 5N~20N.
 - DURABILITY: 10000 CYCLES.
 - ELECTRICAL PERFORMANCE,
 - CURRENT RATING:5.0A
 - LICR:VBUS & GND PINS AND OTHER PINS: 40mΩ/PIN MAX.SHIELD: 50mΩ/MAX.
 - INSULATION RESISTANCE: 100MΩ MIN
 - DIELECTRIC WITHSTAND VOLTAGE,AC 100V FOR 1 MINUTE.
 - ENVIRONMENTAL PERFORMANCE: OPERATING TEMPERATURE: -25°C~+85°C.

LZG INDUSTRIAL CO. LTD

PART NAME: USB TYPE C 24PIN
 TOLERANCE UNLESS 0.0±0.20
 PART NO.: ZB48045-24SBAP-A
 OTHERWISE SPECIFIED: 0.000±0.05

DRAWING: 林生材
 CHECK: 李宏鑫
 APPROVAL: 柳建宝
 DATE: 2020.02.18
 DRAWING NO.: ZB48045-24SBAP-A
 SHEET: 1/1